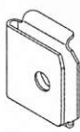


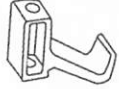

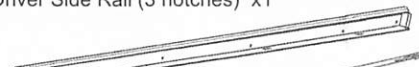
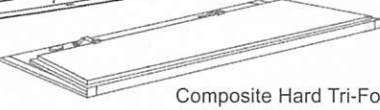

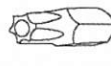

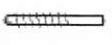



Composite Hard Tri-Fold Tonneau Cover

Installation parts Included:

 Drill Guide X2	 J-Nut X10	 Bolts X12	 Stationary Clamps Hooks X2	 Keys X2	 Driver Side Rail (3 notches) x1  Composite Hard Tri-Fold Tonneau Cover x1  Passenger Side Rail (2 notches) x1
--	---	---	--	---	--

Tools Required:

 T30 Torx	 Drill	 7.0mm (9/32") Drill Bit	 Trim Stick
---	--	--	---

Preparations:

- Identify truck bed attachment points (Step 1)
- Drill plastic rail cap at attachment points (Step 3 and Step 4)
- Attach stationary clamp hooks (Step 6)

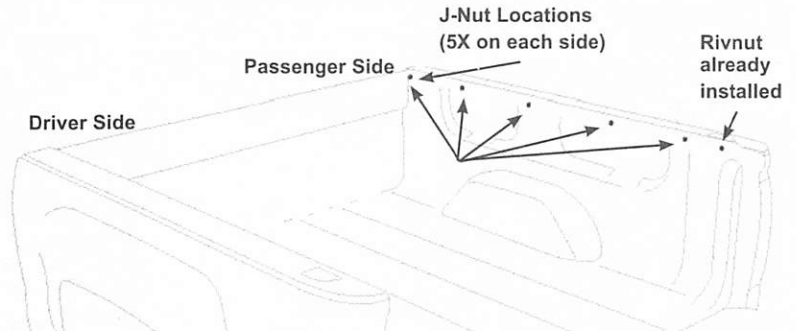
Installation Instructions:

Read all instructions before proceeding.

It is recommended that two people install the tonneau cover.

Step 1:

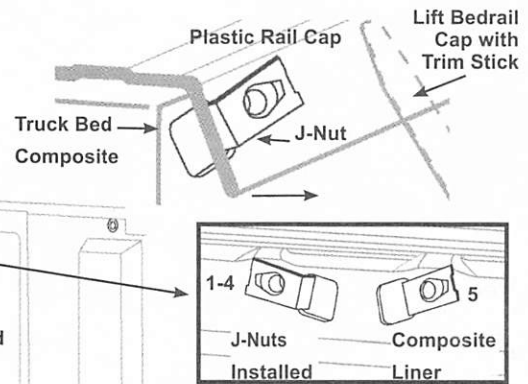
Locate (6) truck bed attachment points for driver side and passenger side rails. Attachment points are holes in truck bed composite liner behind the plastic rail cap.



Step 2:

Install a J-Nut in each of the first (5) hole positions from cab. (J-nut in fifth hole is in reverse)

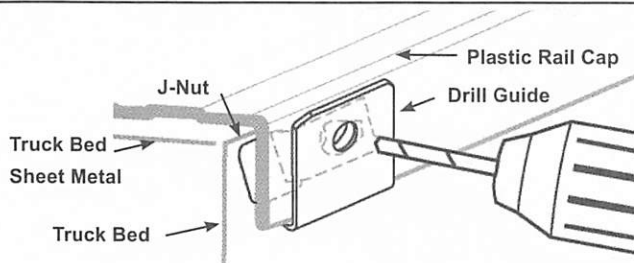
J-Nuts are inserted in truck bed sheet metal as shown below. Access corner pillar holes by pulling back the plastic rail caps. Slide J-Nuts in place until they are flush with the composite liner.



Step 3:

After installing the J-Nuts lift the plastic rail cap and locate the J-Nut thread inlet with the drill guide.

Drill through the plastic rail cap with 7.0mm (9/32") drill bit. Repeat for five (5) J-Nuts and one (1) Rivnuts on passenger side.

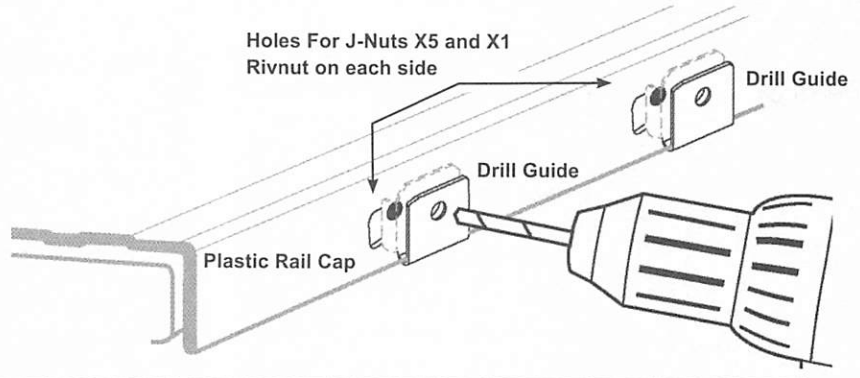


Installation Instructions (Cont):

Step 4:

After installing the J-Nuts lift the plastic rail cap and locate the J-Nut thread inlet with the drill guide. Drill through the plastic rail cap with 7.0mm (9/32") drill bit.

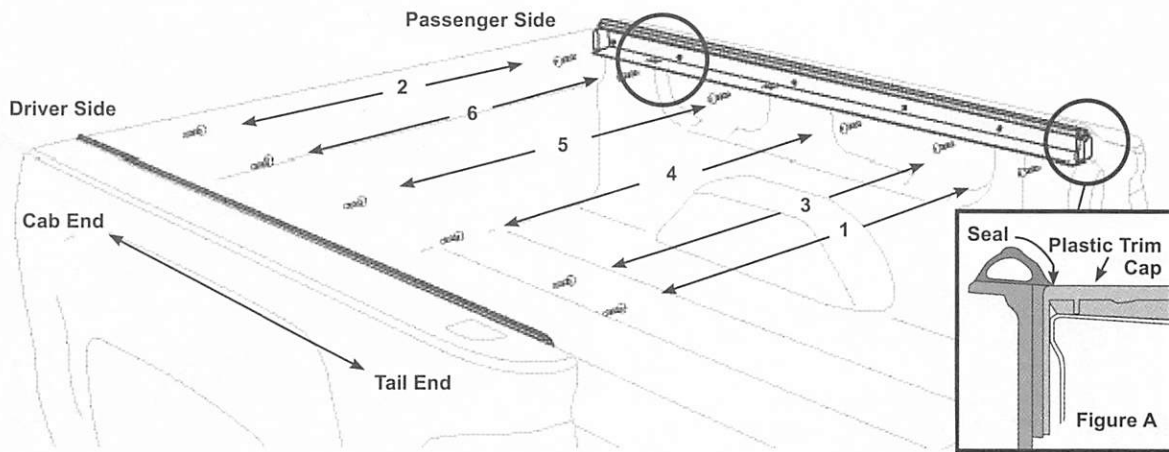
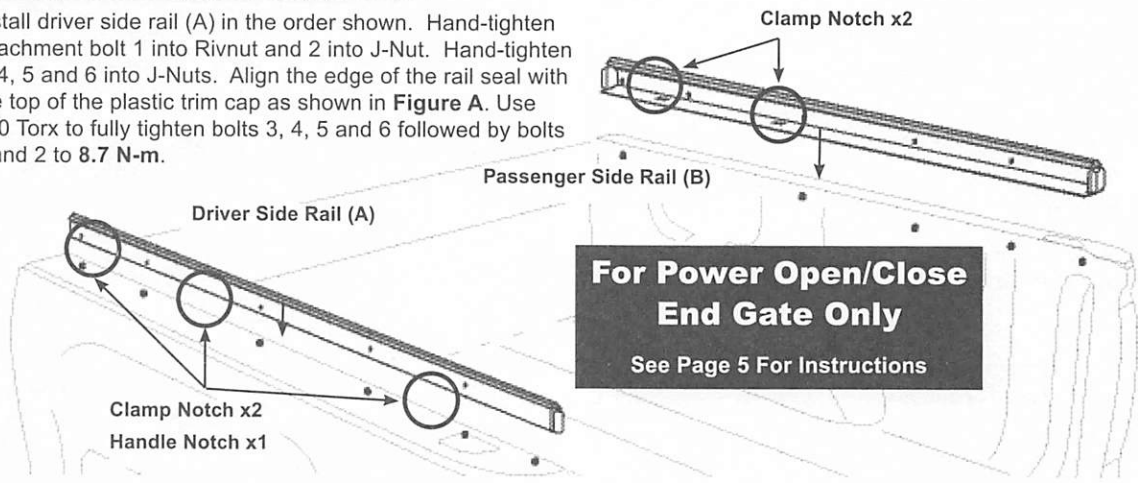
Repeat for five (5) J-Nuts and one (1) Rivnuts on driver side.



Side Rail Installation:

Step 5: Driver side rail (A) has three (3) notches. Passenger side rail (B) has two (2) notches.

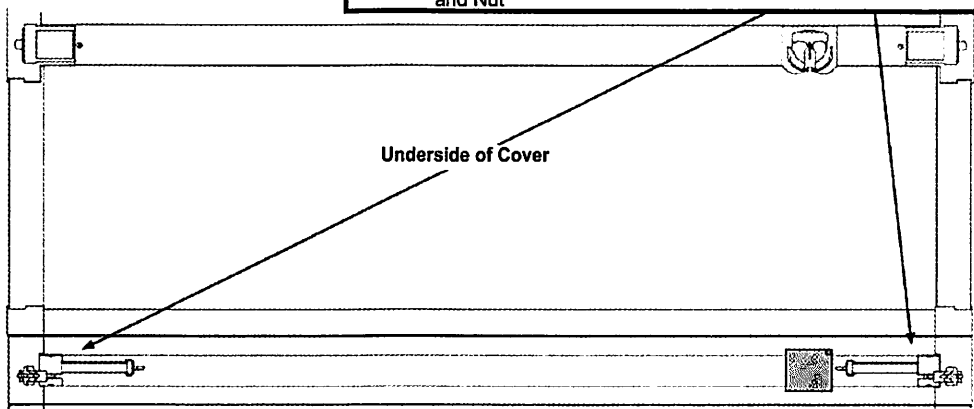
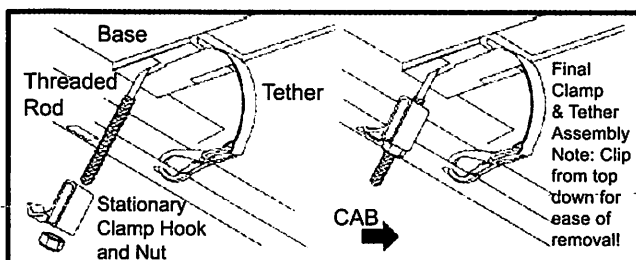
Install driver side rail (A) in the order shown. Hand-tighten attachment bolt 1 into Rivnut and 2 into J-Nut. Hand-tighten 3, 4, 5 and 6 into J-Nuts. Align the edge of the rail seal with the top of the plastic trim cap as shown in Figure A. Use T30 Torx to fully tighten bolts 3, 4, 5 and 6 followed by bolts 1 and 2 to 8.7 N-m.



Attach Stationary Clamp Hooks:

Step 6:

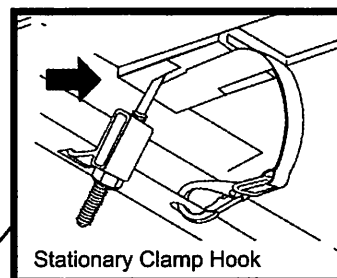
Place stationary clamp hook on to threaded rod. Place nut and hand tighten to the threaded rod.



Cover Installation

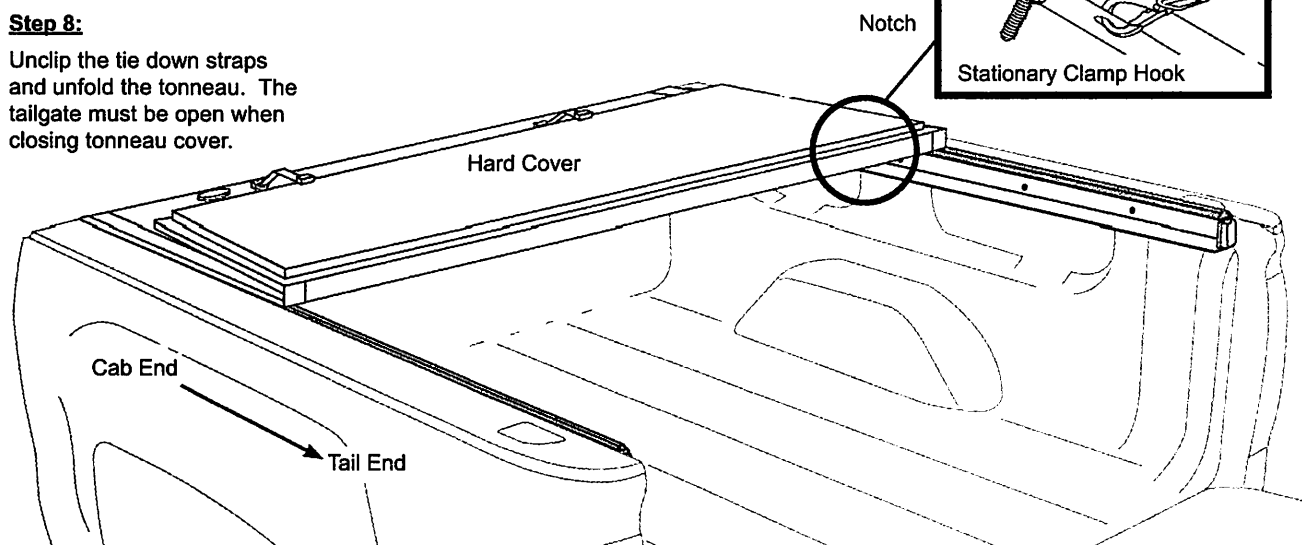
Step 7:

Locate the rectangular notch in the driver and passenger side rails that align to the clamps. Align the stationary clamps to the rectangular notch. Position the cover evenly side to side and rest the cab seal smoothly along the cab wall of the bed. Position the stationary clamps so that the hook rests inside the rectangular notch in the rail. Tighten the nut. Be sure to tighten each side evenly. Tighten only until Tonneau cannot shift from its position. **DO NOT OVER TIGHTEN.** Over tightening of nut can cause failure to clamping system. Be sure to clip safety tether to hole in rail from top down for ease of removal.



Step 8:

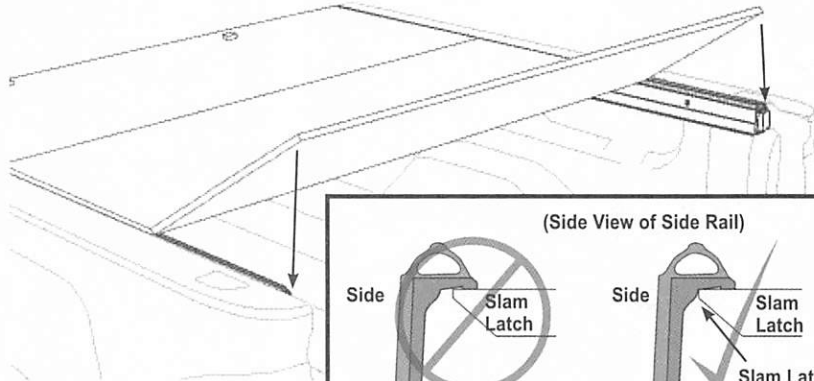
Unclip the tie down straps and unfold the tonneau. The tailgate must be open when closing tonneau cover.



Cover Installation (Cont):

Step 9:

With both hands, press down on the rear bar until the rear slam latches engage driver side and passenger side rails.

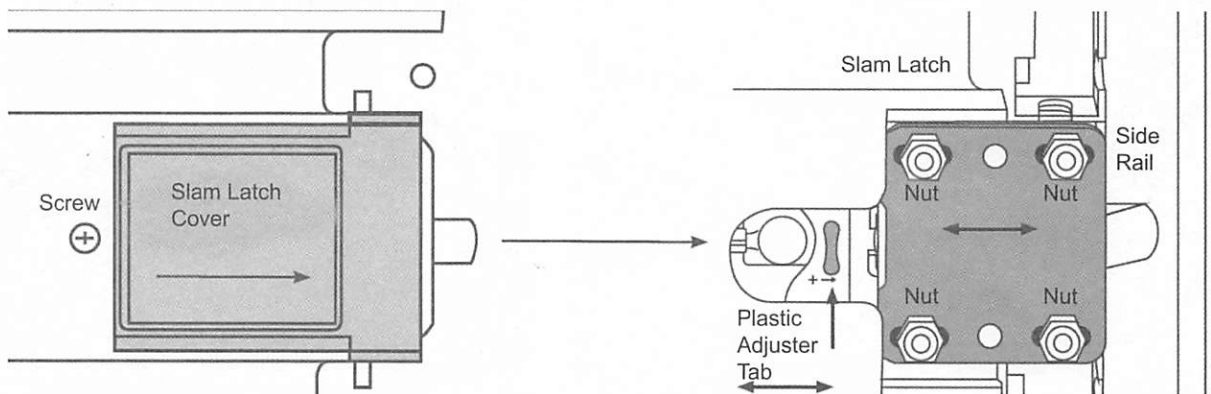


Step 10:

Lift the forward panel to 30°. Drop the forward panel to engage the driver side and passenger side slam latches.

Step 11 (optional):

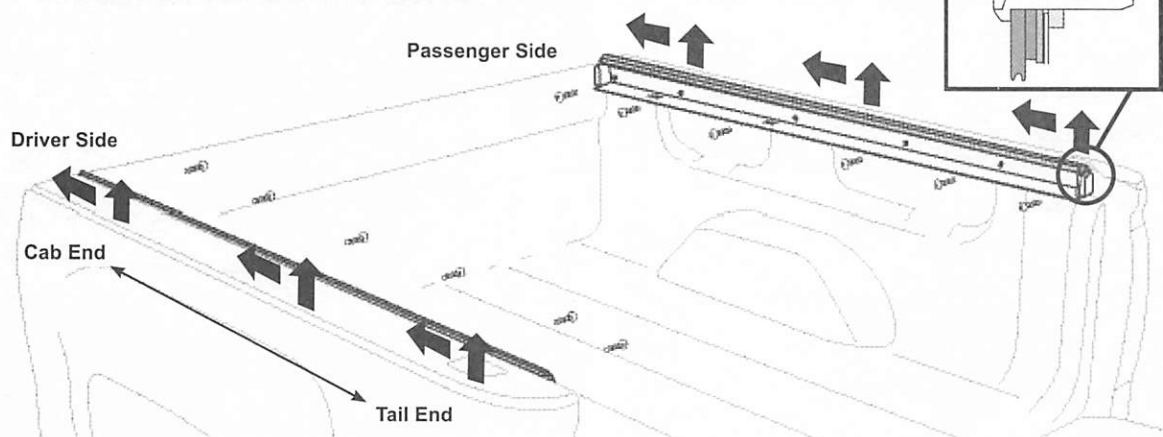
If the slam latches do not engage or there is excessive slack in the latches, adjust latches in or out and up or down. To adjust, remove the screw from the slam latch cover and slide cover off. Loosen the four (4) nuts. To move the latches in or out, move the metal latch plate. To move the latches up or down, move the plastic adjuster tab. Tighten the four (4) nuts. Repeat Step 9 and 10.



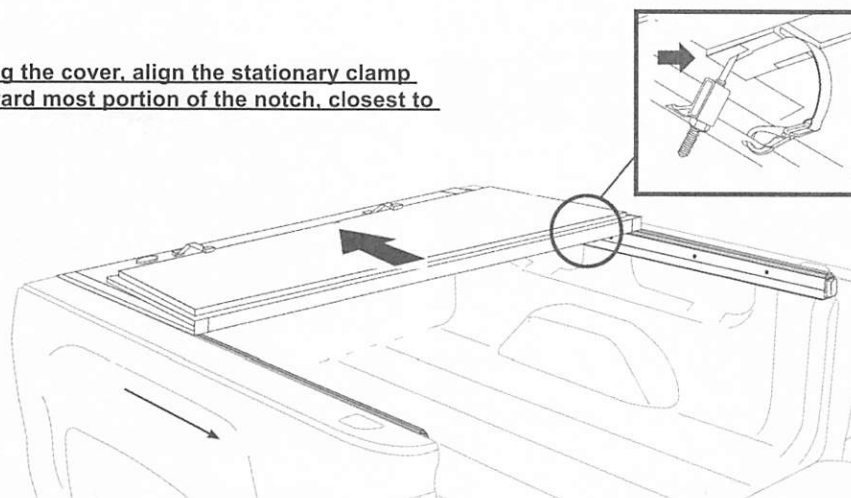
For Power Open / Close End Gate Only

Tonneau Cover Side Rails Must Be Adjusted to Full Up Position and Cover Assembly Must Be Adjusted to Full Forward Position - To Ensure Proper Powered End Gate Closure to Fully Latched Position

During Step 5: While tightening each bolt to attach the rails, pull up and forward on the rails. Follow the installation sheet for bolt tightening sequence.



When positioning the cover, align the stationary clamp hook to the forward most portion of the notch, closest to the cab.



Cycle end gate no less than 5 times to assure proper function.

+5X

