



Service Bulletin

File In Section: 06 - Engine/Propulsion System

Bulletin No.: 01-06-01-029A

Date: June, 2002



Subject: Higher than Expected Engine Oil Consumption (Replace PCV Valve)

Models: 1999-2002 Chevrolet and GMC C/K Models

2002 Cadillac Escalade

with 4.8L, 5.3L or 6.0L Engine (VINs V, T, N, U — RPOs LR4, LM7, LQ9, LQ4)

This bulletin is being revised to add the 4.8L engine. Please discard Corporate Bulletin Number 01-06-01-029 (Section 06 — Engine/Propulsion System).

Condition

Some customers may comment on higher than expected engine oil consumption. They may further comment on consumption in the range of 3,200 km (2,000 mi) or less per quart (0.946 liter) of oil under normal driving conditions.

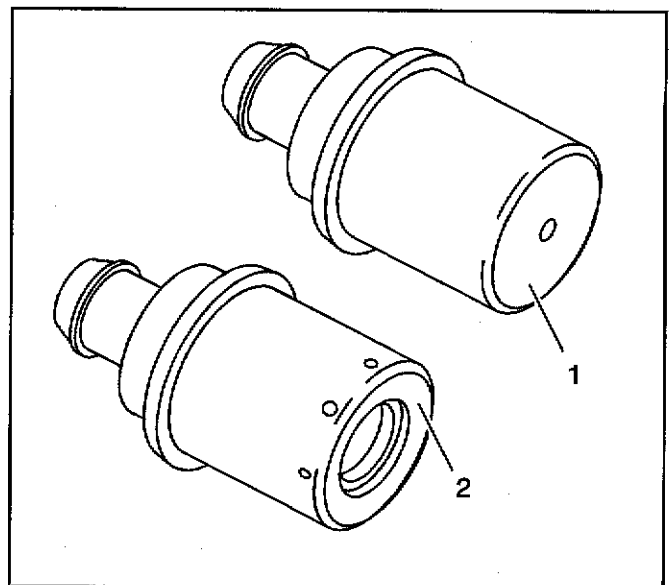
Cause

The condition may be due to the positive crankcase ventilation (PCV) valve flow rate under certain engine operating conditions.

Correction

1. Verify that the oil consumption is not the result of an oil leak or other engine concern.
2. The dealer should perform an oil consumption test. The vehicle should have accumulated over 6,450 km (4,000 mi) before establishing the oil consumption rate. Reference Corporate Bulletin Number 01-06-01-011, Information on Engine Oil Consumption Guideline, for details.
3. Remove the PCV valve and inspect the hose going to the intake manifold for signs of excessive oil being present.
4. If excessive oil is present in the PCV hose, replace the PCV valve (Type 948C) (2) with a new-style fixed orifice PCV valve (Type CV2001-C) (1). See the illustration below.

PCV Valve Identification



827334

Legend

- (1) New style fixed orifice PCV Valve (Type CV2001-C)
- (2) Spring and plunger style PCV Valve (Type 948-C)

057294

Important: The new style fixed orifice PCV valve contains no moving parts, and does not rattle when shaken.

If the vehicle has an orifice style PCV valve, investigate other causes for high oil consumption.

Parts Information

Part Number	Description	Qty
12572717	Valve, PCV (Type CV2001-C)	1

Parts are currently available from GMSPO.

Warranty Information

For vehicles repaired under warranty, use:

Labor Operation	Description	Labor Time
J6000	Valve, PCV - Replace	Use published labor operation time

GM bulletins are intended for use by professional technicians, NOT a "do-it-yourselfer". They are written to inform these technicians of conditions that may occur on some vehicles, or to provide information that could assist in the proper service of a vehicle. Properly trained technicians have the equipment, tools, safety instructions, and know-how to do a job properly and safely. If a condition is described, **DO NOT** assume that the bulletin applies to your vehicle, or that your vehicle will have that condition. See your GM dealer for information on whether your vehicle may benefit from the information.



**WE SUPPORT VOLUNTARY
TECHNICIAN
CERTIFICATION**