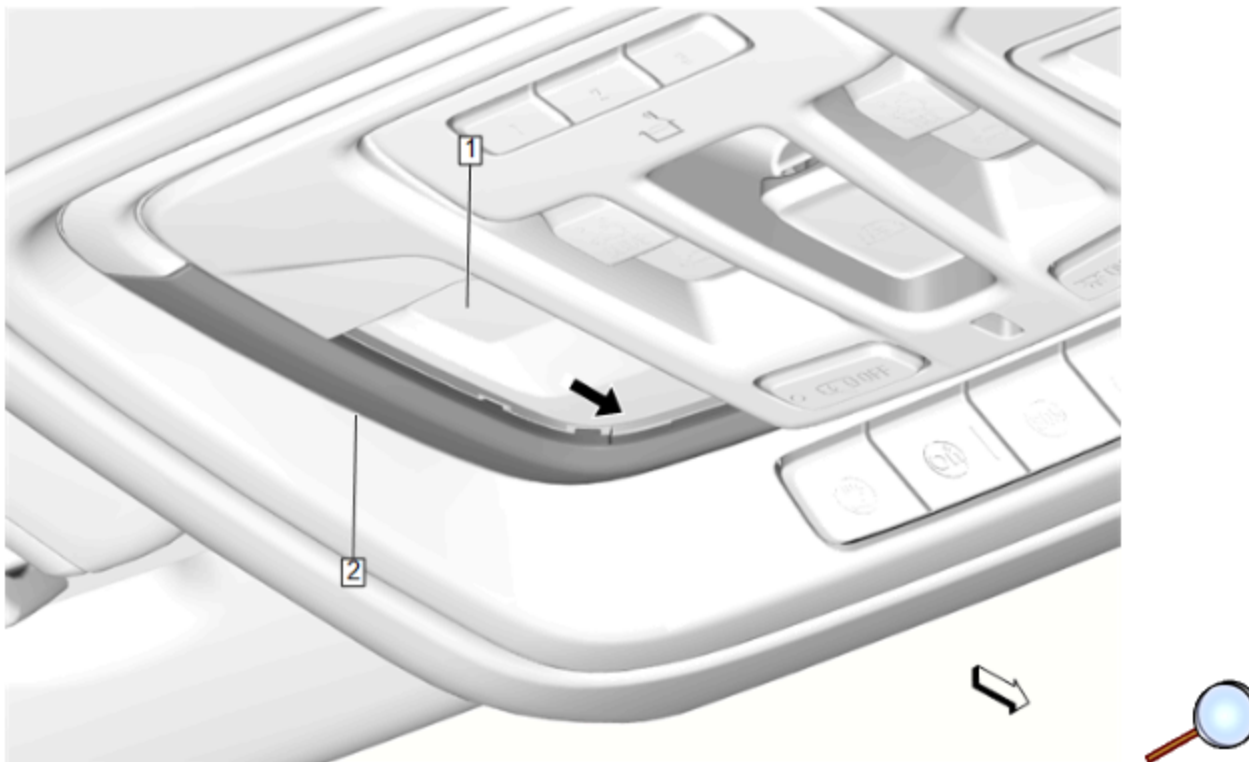
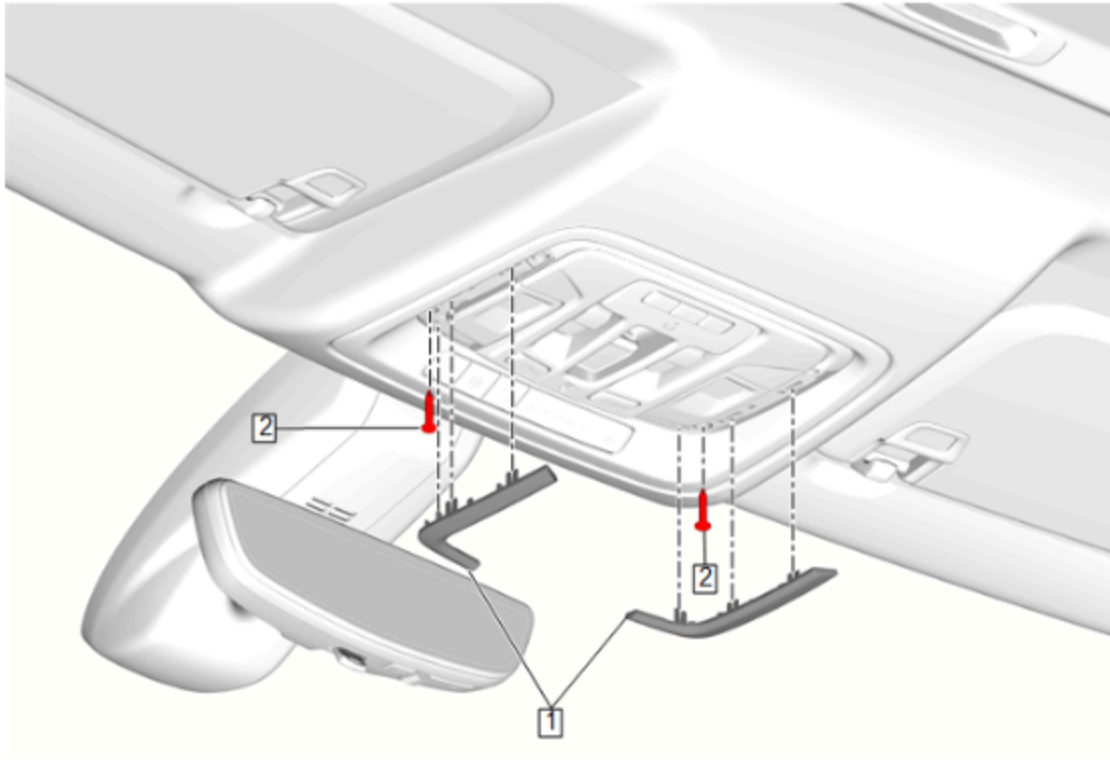


Roof Console Replacement

[Removal Procedure](#)



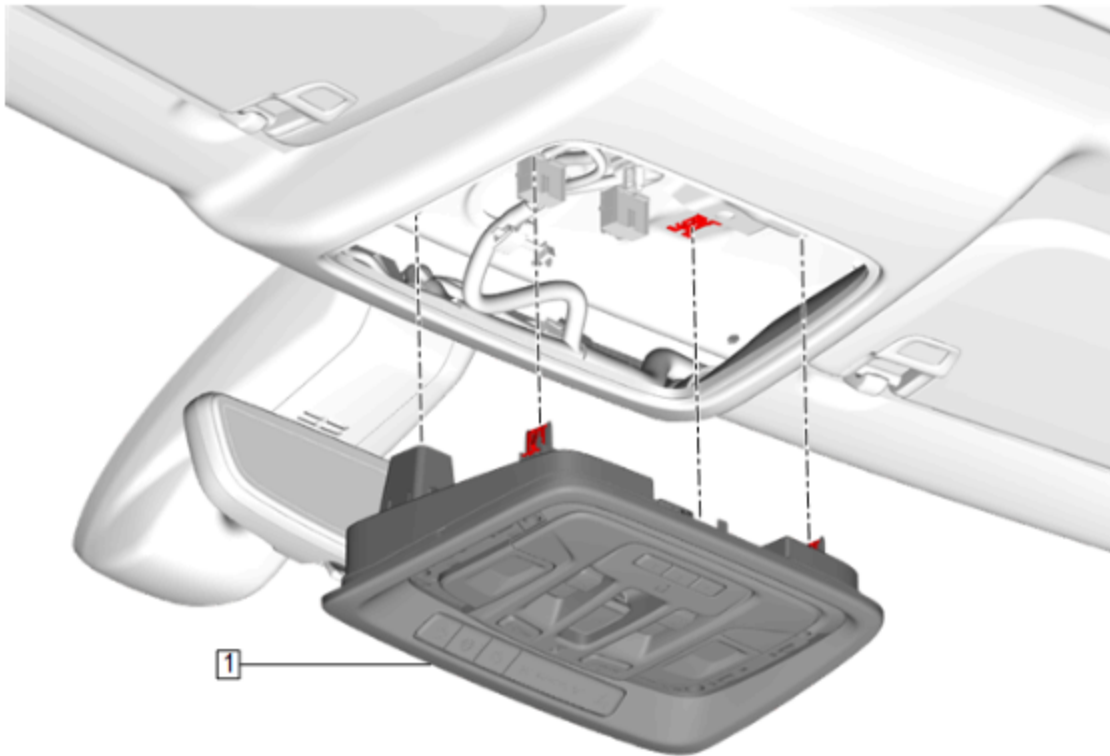
1. Push in the lamp lens (1) to access the notches on the roof console lamp trim plate (2).
2. Using a plastic trim tool and working your way rearward, release the retainers of the roof console lamp trim plate (2).



3. Roof Console Lamp Trim Plate (1) » Remove [2x]

Note: Note the location of the fastener opening. The fasteners are being misaligned and not retaining the forward roof console clips during installation.

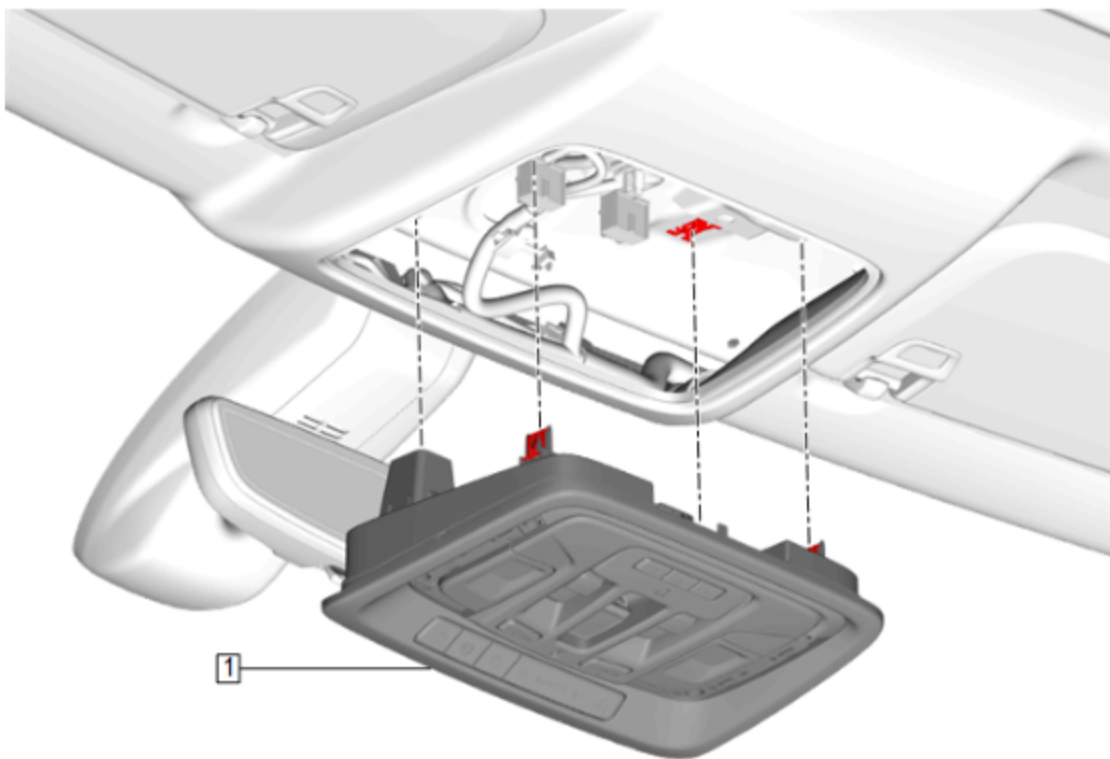
4. Roof Console Bolt (2) » Remove [2x]



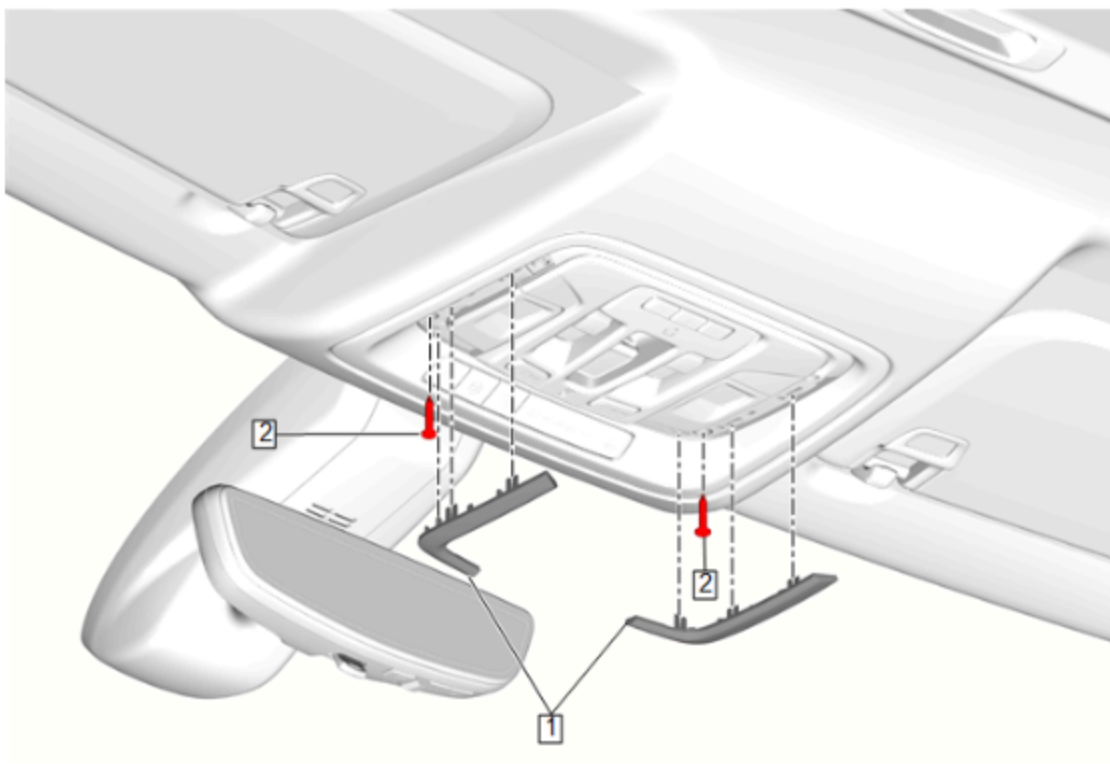
5. Roof Console (1) » Remove
6. Disconnect the electrical connectors.
7. Transfer components as necessary.

Installation Procedure

1. Connect the electrical connectors.



2. Roof Console (1) » Install



Caution: Refer to [Fastener Caution](#).

Note: Use a light to locate the fastener boss when installing the fasteners. Pull down on the forward end of the roof console to verify that the retention clips are secure.

3. Roof Console Bolt (2) » Install and tighten [2x] **8.1 N·m (72 lb in)**
4. Roof Console Lamp Trim Plate (1) » Install [2x]