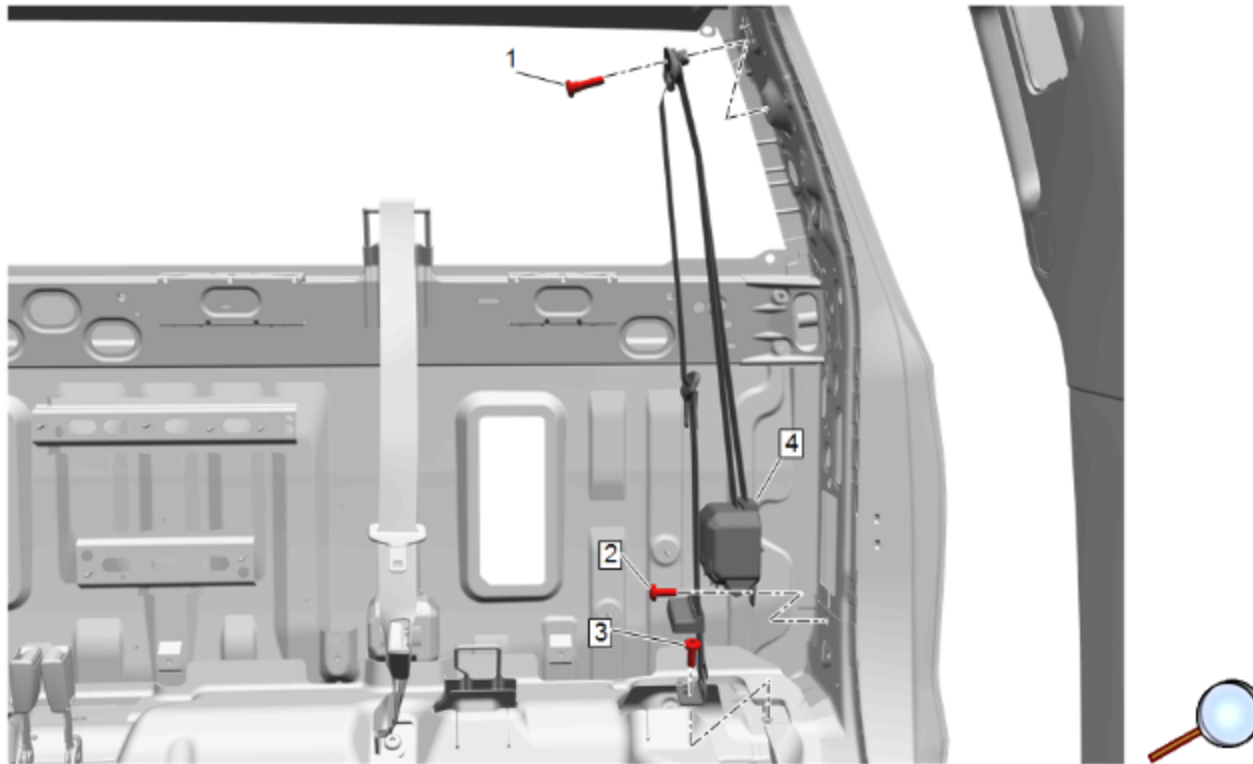


Rear Seat Belt Retractor Replacement



Rear Seat Belt Retractor Replacement

Callout	Component Name
Preliminary Procedure Body Lock Pillar Garnish Molding Replacement	
1	Rear Seat Belt Upper Guide Bolt Caution: Refer to Fastener Caution . Tighten 45 N•m (33 lb ft)

Callout	Component Name
2	Rear Seat Belt Retractor Bolt Tighten 45 N•m (33 lb ft)
3	Rear Seat Belt Retractor Anchor Plate Bolt Tighten 45 N•m (33 lb ft)
4	Rear Seat Belt Retractor