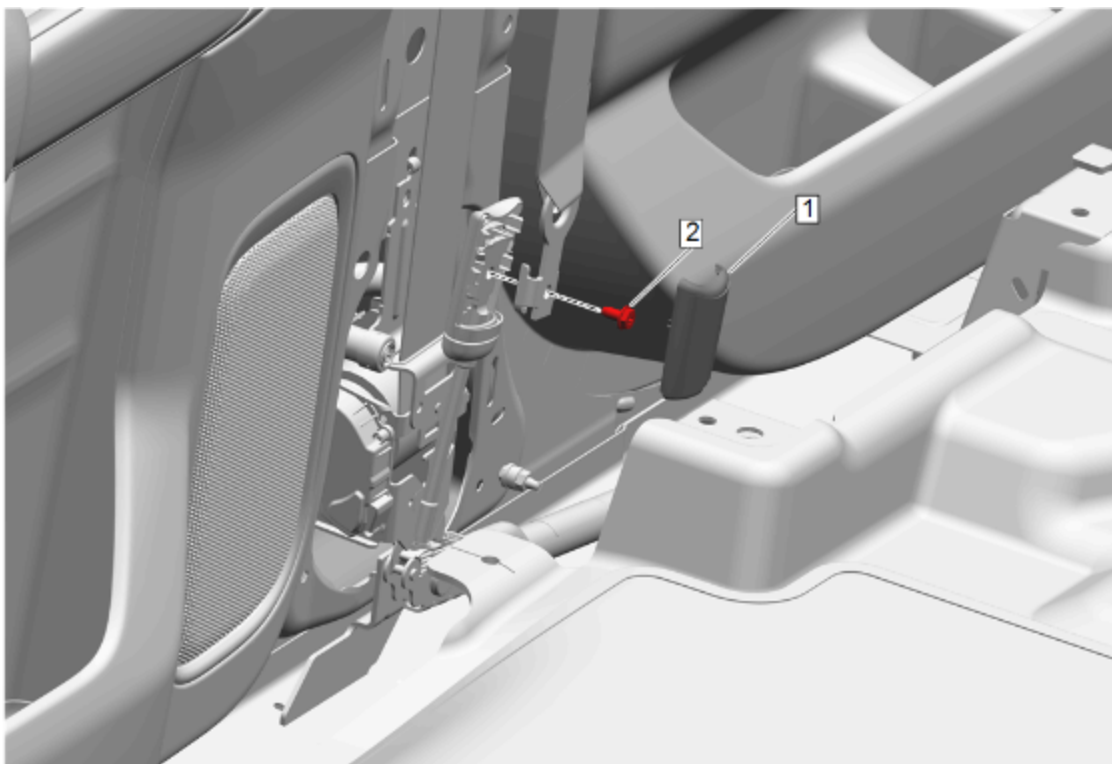
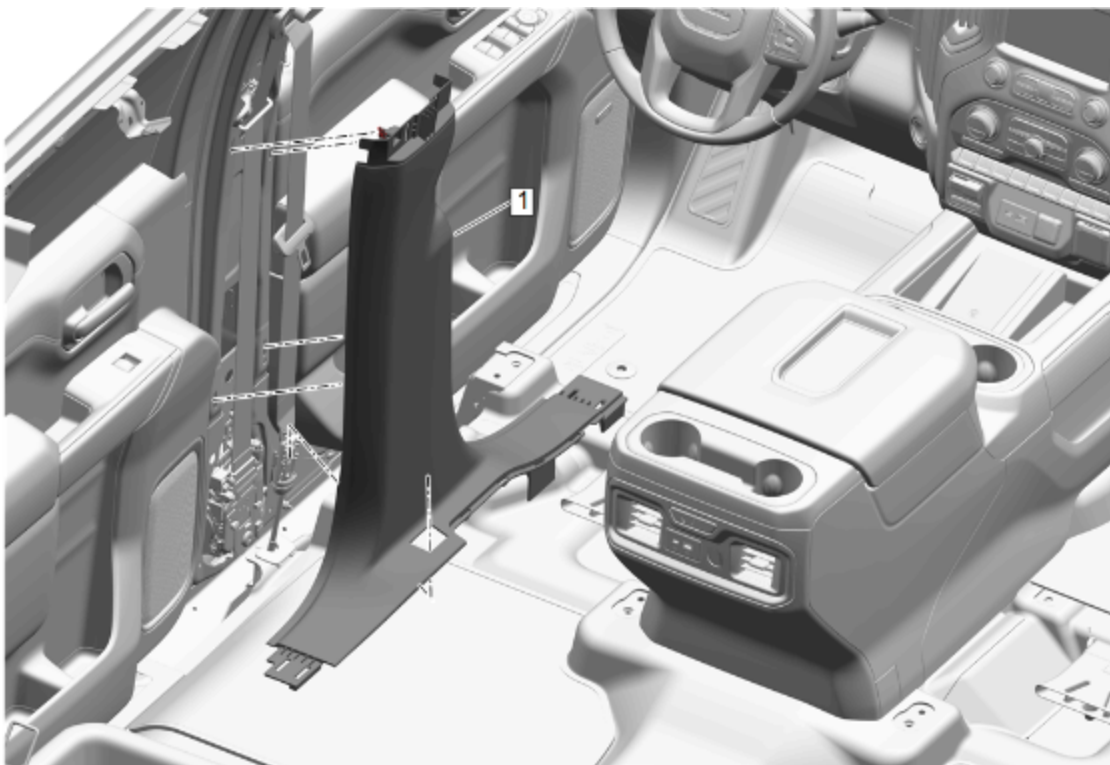


Front Seat Belt Anchor Plate Tensioner Replacement

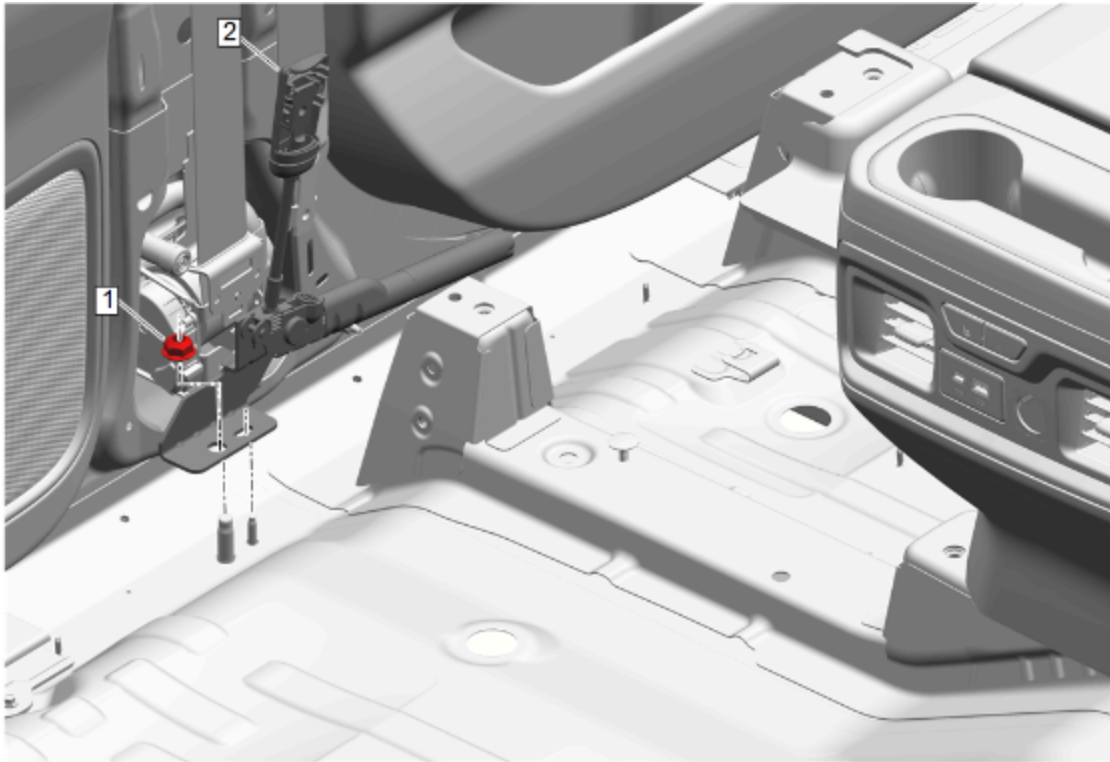
[Removal Procedure](#)



1. Front Seat Belt Anchor Plate Tensioner Cover (1) » Remove
2. Front Seat Belt Anchor Plate Tensioner Bolt (2) » Remove

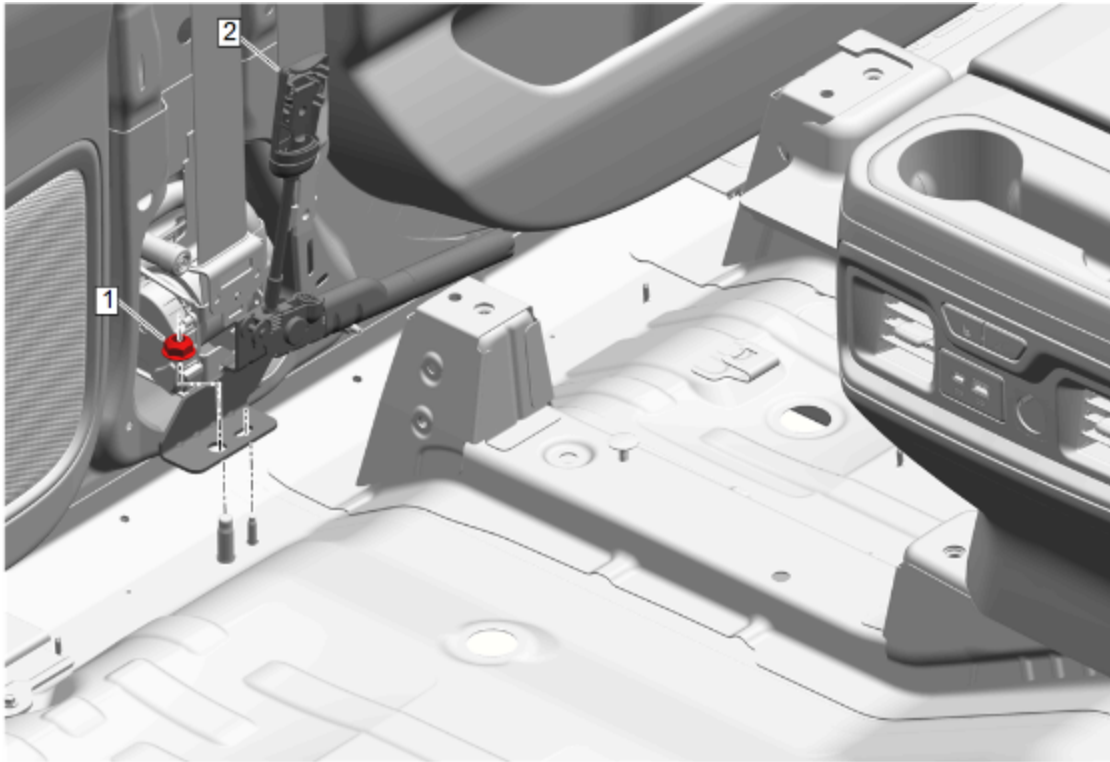


3. Center Pillar Lower Trim Panel (1) » Remove — [Center Pillar Lower Trim Panel Replacement](#)



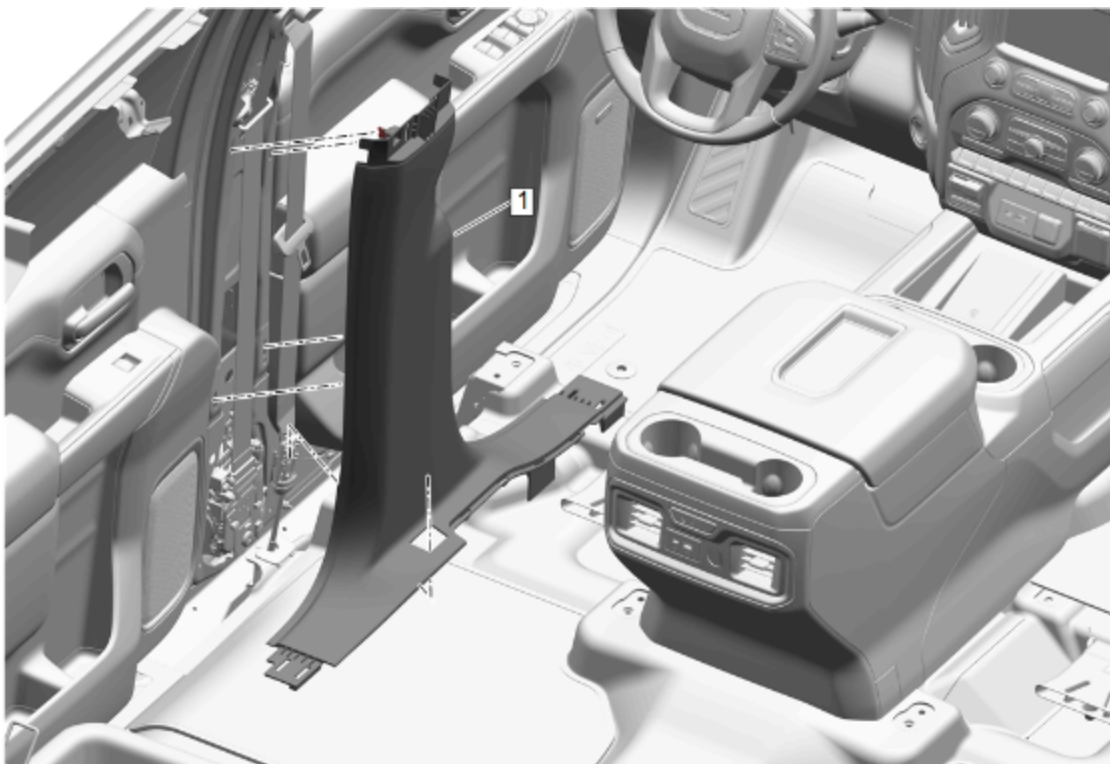
4. Front Seat Belt Nut (1) » Remove
5. Front Seat Belt Anchor Plate Tensioner (2) » Remove
6. Disconnect the electrical connectors.

Installation Procedure

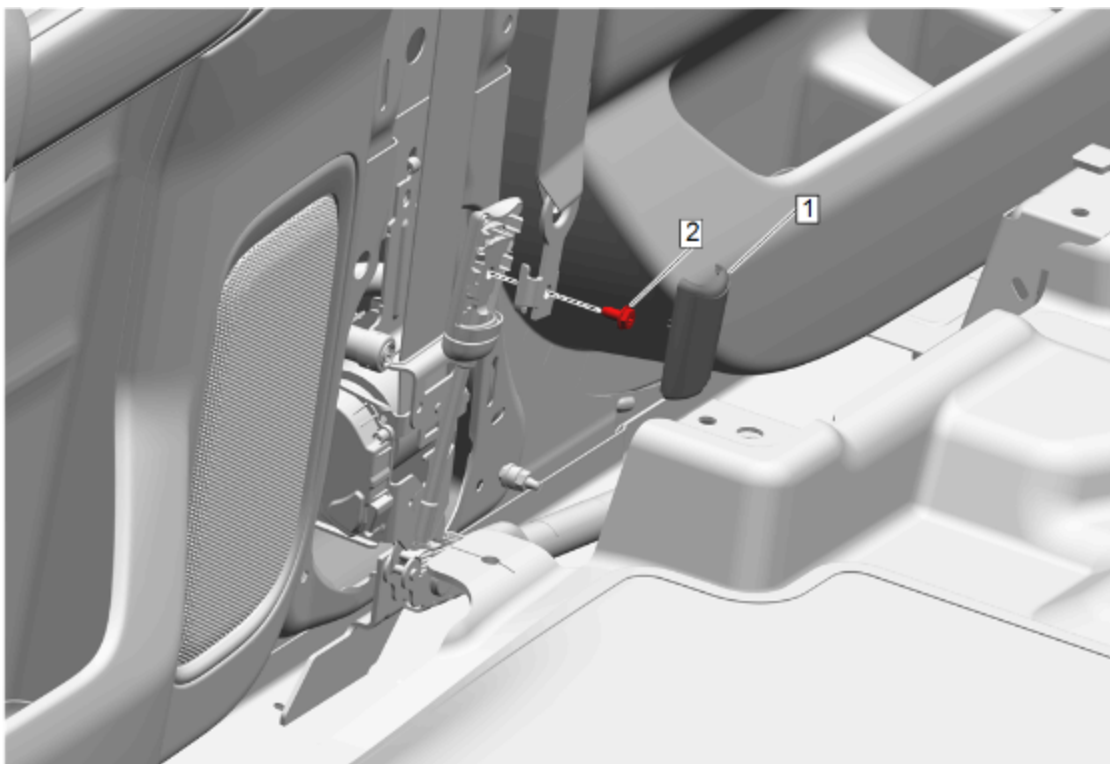


Caution: Refer to [Fastener Caution](#).

1. Front Seat Belt Anchor Plate Tensioner (2) » Install
2. Front Seat Belt Nut (1) » Install and tighten **45 N•m (33 lb ft)**
3. Connect the electrical connectors.



4. Center Pillar Lower Trim Panel (1) » Install — [Center Pillar Lower Trim Panel Replacement](#)



5. Front Seat Belt Anchor Plate Tensioner Bolt (2) » Install and tighten **9 N•m (80 lb in)**
6. Front Seat Belt Anchor Plate Tensioner Cover (1) » Install