

## Body Emblem Package Installation (Bowtie Illuminated Emblem Instruction ID: 84069489)

### [Installation Instructions Part Number](#)

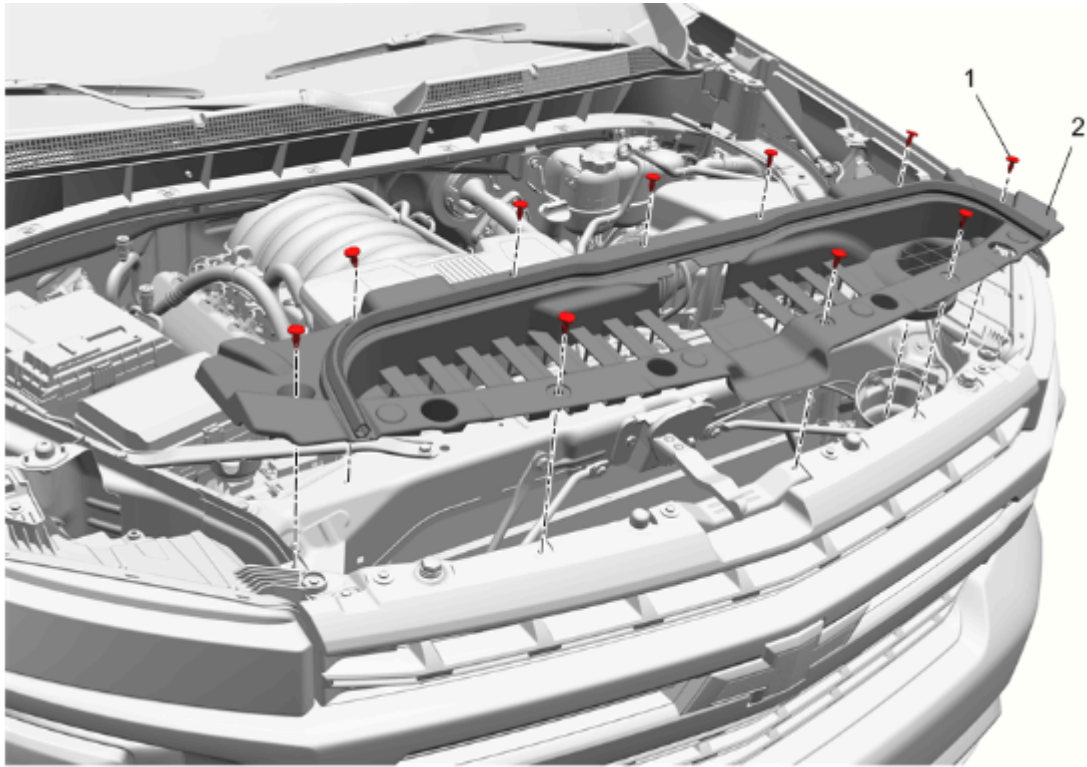
84069849

#### Kit Contents

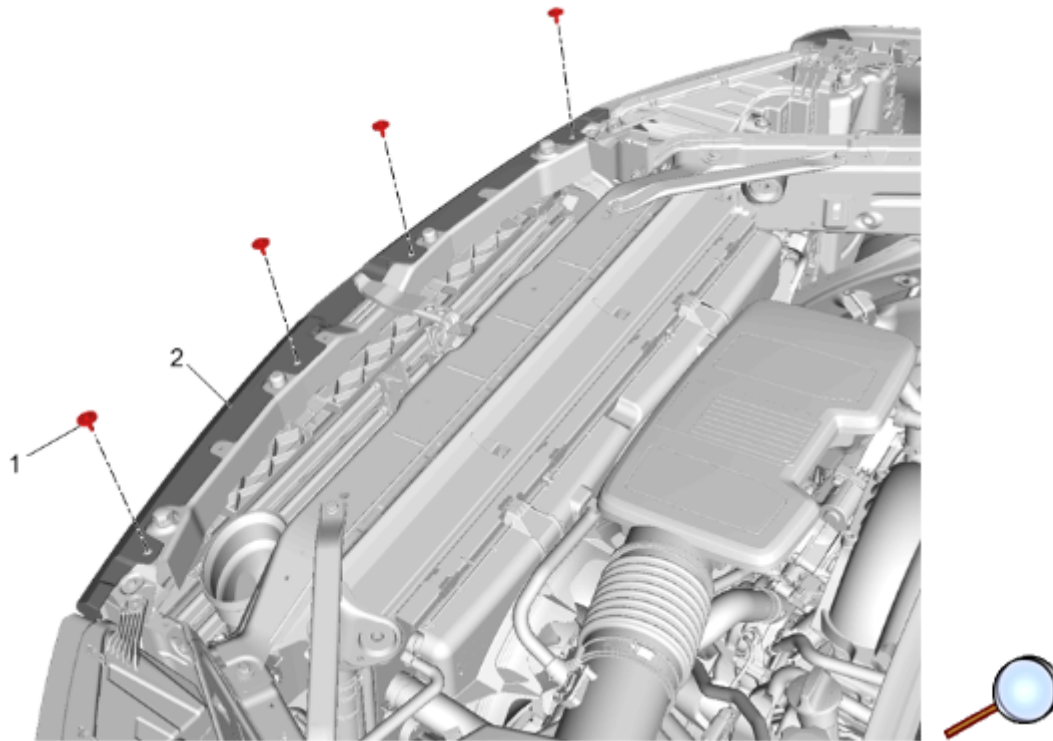
Qty	Description
1	Emblem Assembly Bow Tie – Front Grille Illumination
1	Harness Package
2	Tie Strap
1	Installation Instructions

#### Procedure

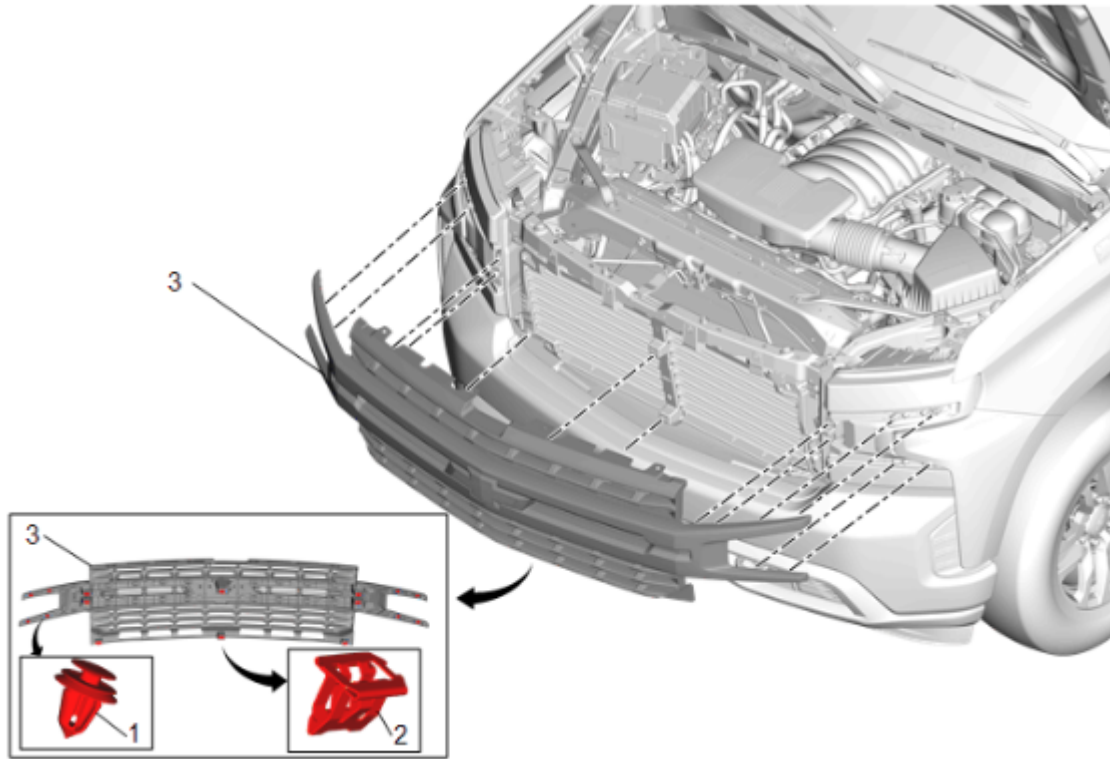
1. **Front Bow Tie Emblem Replacement.** Read all instructions before performing procedure.
2. Inspect kit to verify all parts are included.
3. Turn off the vehicle.
4. Open the hood.



5. Remove and retain the intake air grille push-in retainers (1).
6. Remove the intake air grille (2).

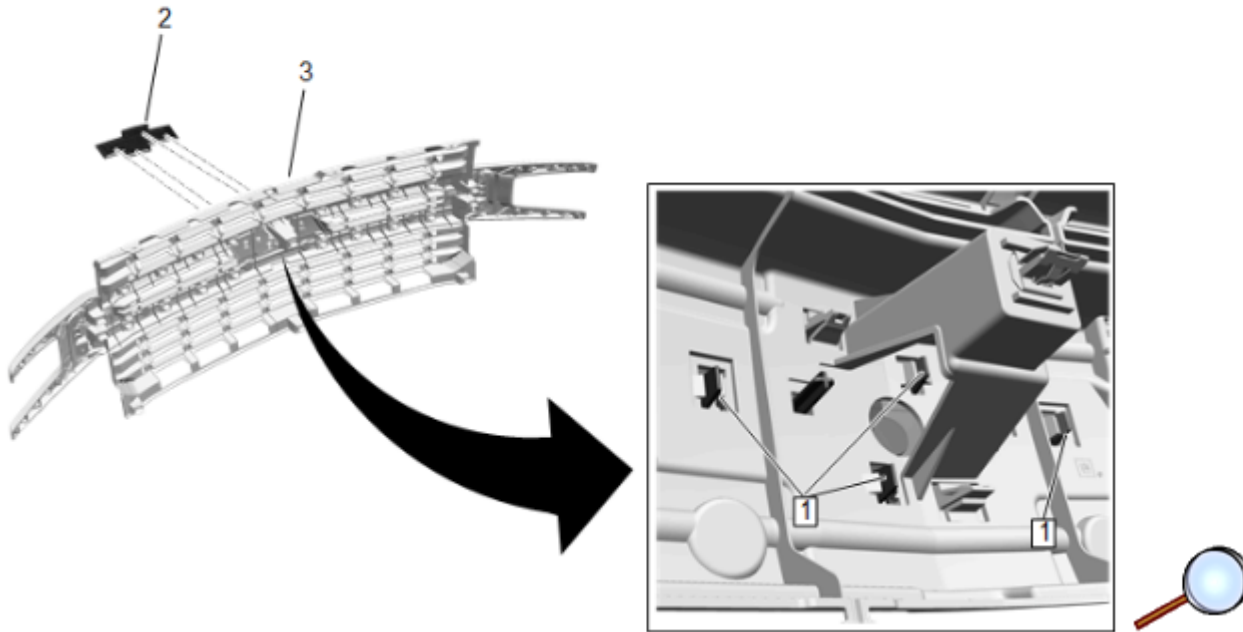


7. Remove and retain the upper bolts (1) from the front grille (2).

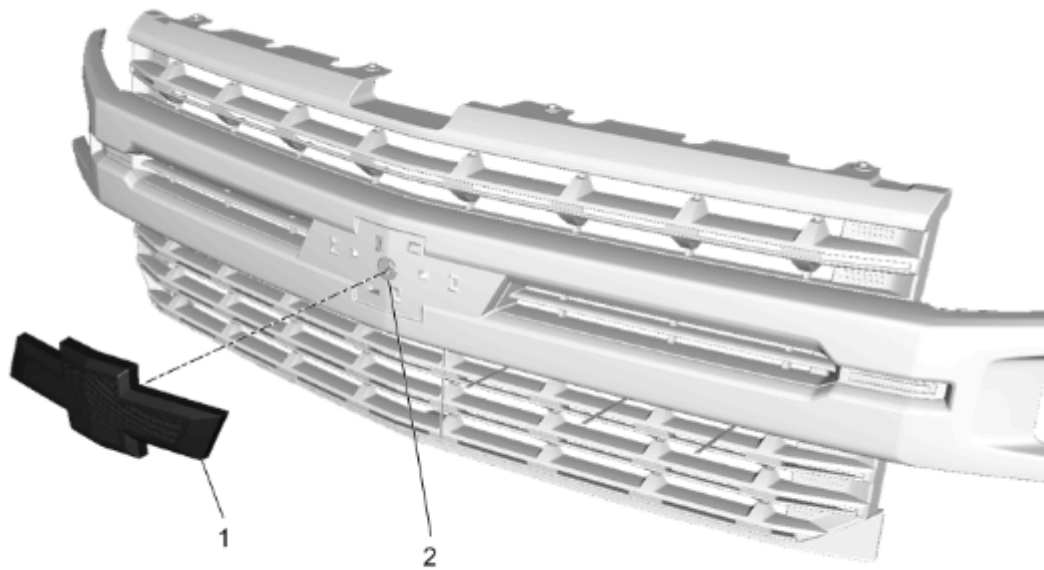


**Note:** Mask off front bumper fascia area around lower grille to prevent damage to paint.

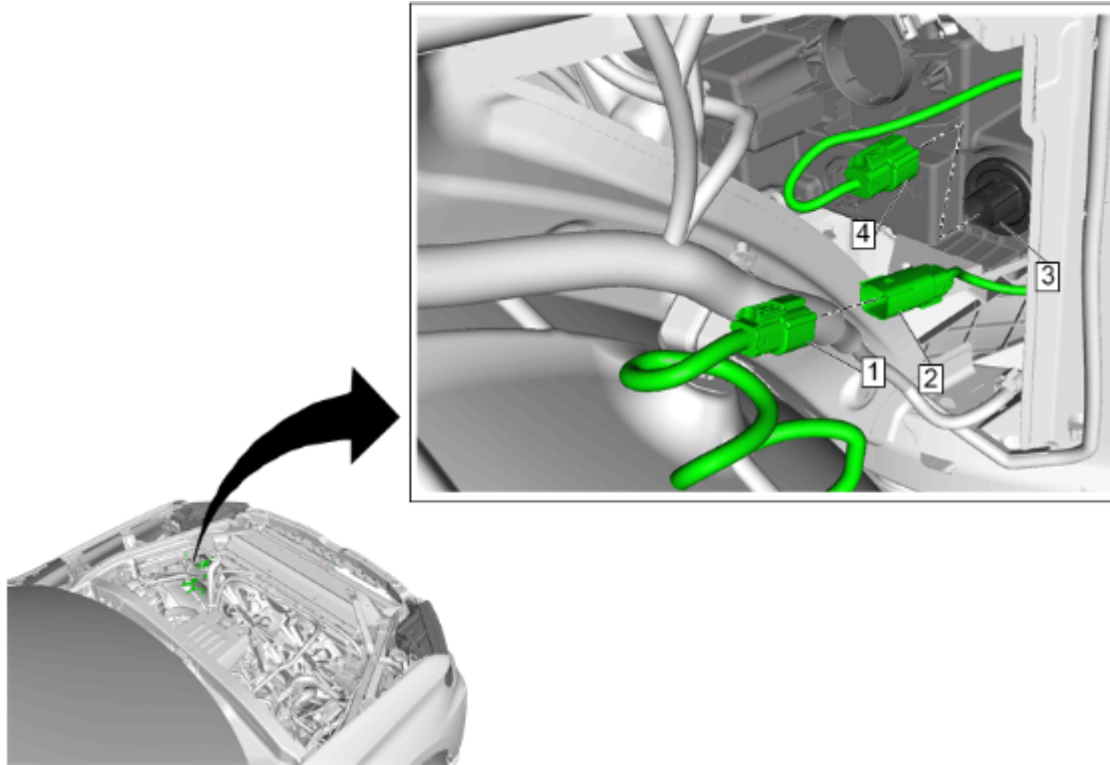
8. Using a suitable plastic flat bladed plastic tool, disengage the 8 retainers (1).
9. With two hands and starting at either end firmly pull the front grille (3) releasing the 8 spring clips (2) from the grille opening reinforcement.
10. Tilt the front grille forward and lift upward to remove.



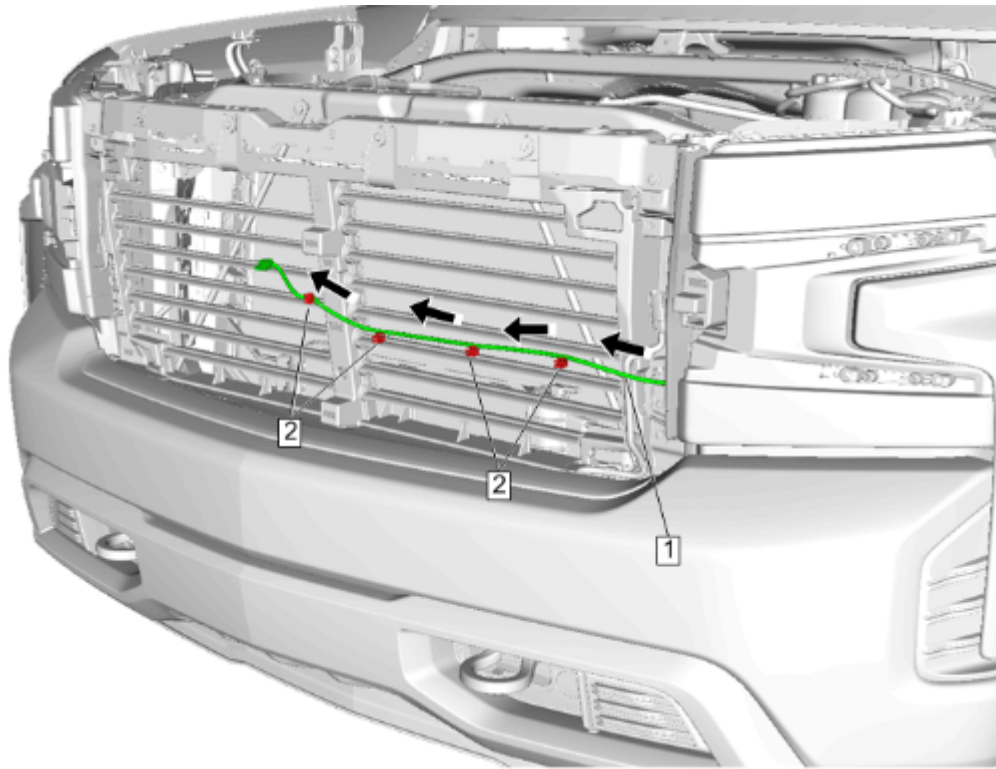
11. Using a suitable flat-bladed tool, release the 4 locking tabs (1) and remove the front grille emblem (2) from the front grille (3).



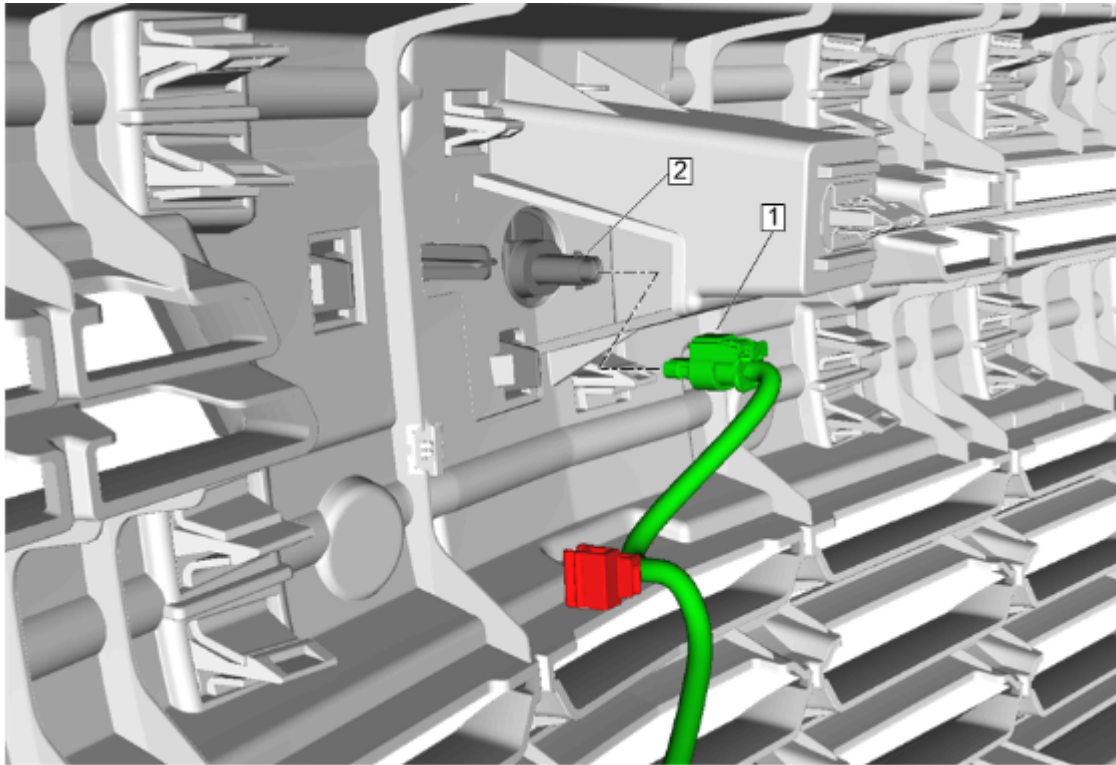
12. Install the illuminated emblem from kit (1) to the grille. There is an existing hole (2) on the grille to pass through the emblem connector. Make sure the locking tabs are engaged.



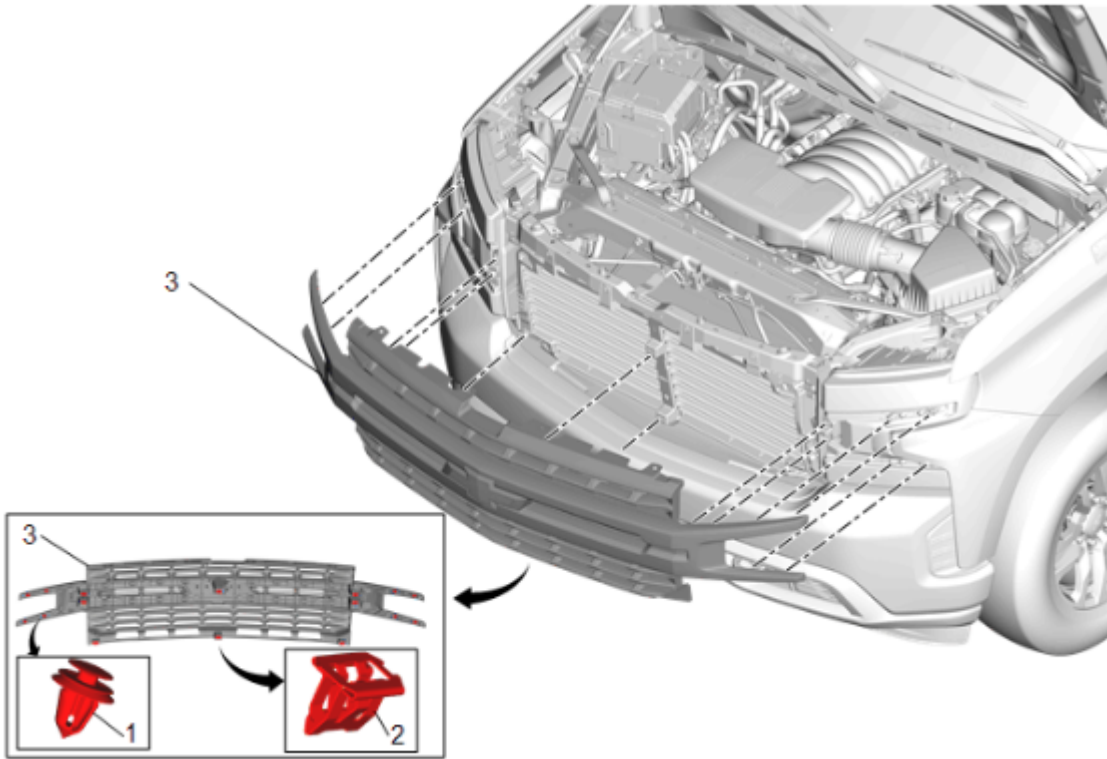
13. Disconnect the forward lamp lighting harness (1) from the driver side headlamp (3).
14. Connect the jumper harness connector (4) to driver side headlamp (3).
15. Connect the previously disconnected forward lamp lighting harness (1) to the jumper harness connector (2).



16. Route harness (1) to grille through bottom opening next to driver side headlamp.
17. Secure harness (1) by attaching edge metal clips (2) to the grille before reinstalling.
18. Use the loose edge clip for the inline forward lamp harness connector.

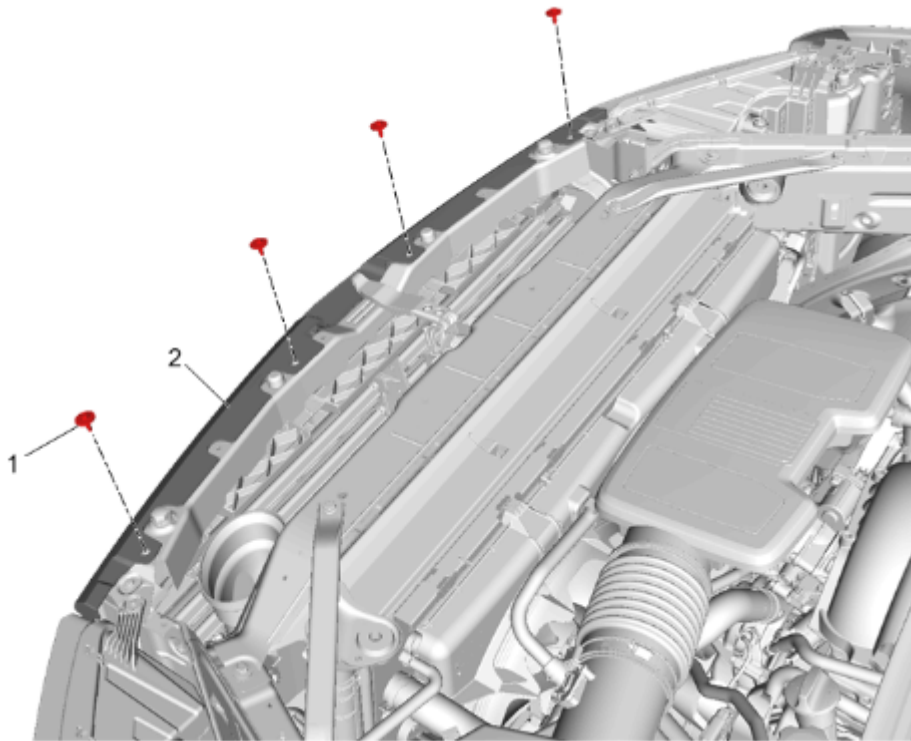


19. Position the grille to the vehicle and connect the accessory harness (2) to the illuminated emblem (2).



20. Install the front grille (3) to the 8 spring clips (2) on the grille opening reinforcement.

21. Engage the 8 retainers (1).

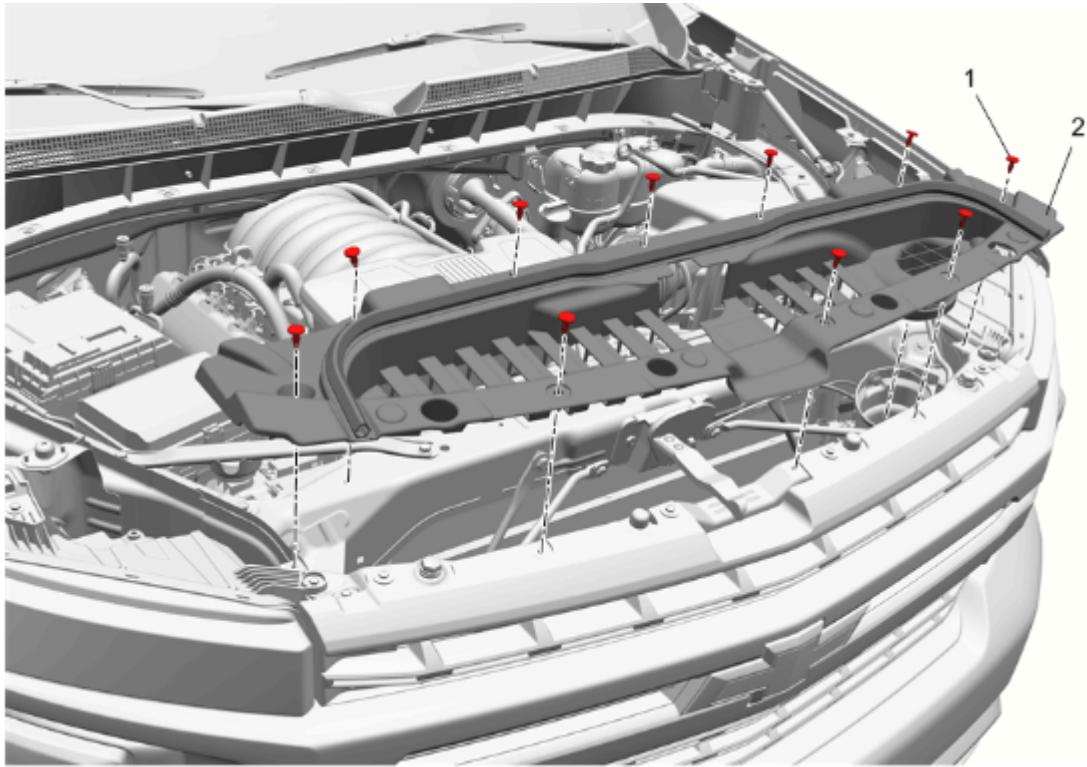


**Caution:** Use the correct fastener in the correct location. Replacement fasteners must be the correct part number for that application. Fasteners requiring replacement or fasteners requiring the use of thread locking compound or sealant are identified in the service procedure. Do not use paints, lubricants, or corrosion inhibitors on fasteners or fastener joint surfaces unless specified. These coatings affect fastener torque and joint clamping force and may damage the fastener. Use the correct tightening sequence and specifications when installing fasteners in order to avoid damage to parts and systems.

22. Install the previously retained upper bolts (1) to the front grille (2).

**Tighten**

Tighten the bolts to 7 N.m (62 lb in).



23. Install the intake air grille (2).

24. Install the intake air grille push-in retainers (1).

25. Ensure all electrical connections are intact, test any front lighting to confirm that it is functioning.