

## Trailer Connector

Connector: 7-Way F Metri-Pack 280 630 Series, Sealed  
 OEM: 15354653  
 Color: **BLK**  
 Service: 15306164

**Pins: B**

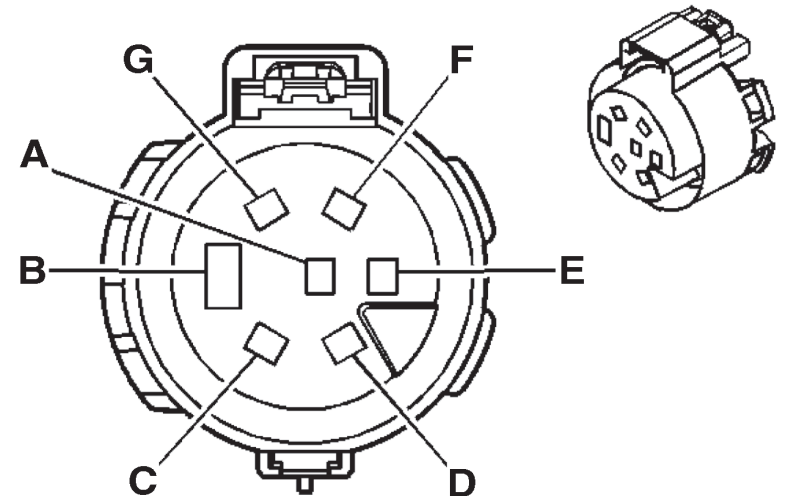
Terminal/Tray: 12052456/3  
 Core/Insulation Crimp: TBD  
 Release Tool/Test Probe: TBD

**Pins: A, D, F, G**

Terminal/Tray: 12110847/4  
 Core/Insulation Crimp: C/5  
 Release Tool/Test Probe: 15315247/J-35616-4A (PU)

**Pins: C, E**

Terminal/Tray: 12110845/4  
 Core/Insulation Crimp: F/5  
 Release Tool/Test Probe: 15315247/J-35616-4A (PU)



Pin	Wire Color	Circuit No.	Function
A	L-GN	1624	Trailer Backup Lamp Supply Voltage
B	WH	22	Ground
C	D-BU	47	Trailer Auxiliary Supply Voltage
D	D-GN	1619	Trailer Right Rear Turn/Stop Lamp Supply Voltage
E	RD/BK	742	Battery Positive Voltage
F	BN	2109	Trailer Park Lamp Supply Voltage
G	YE	1618	Trailer Left Rear Turn/Stop Lamp Supply Voltage