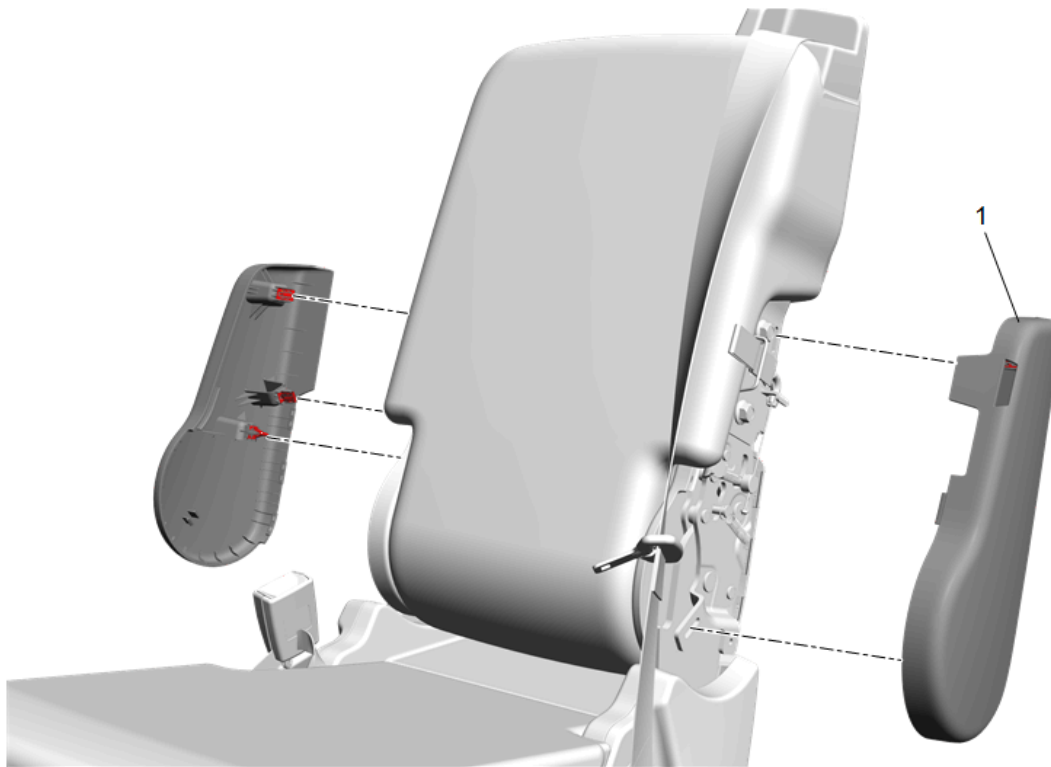
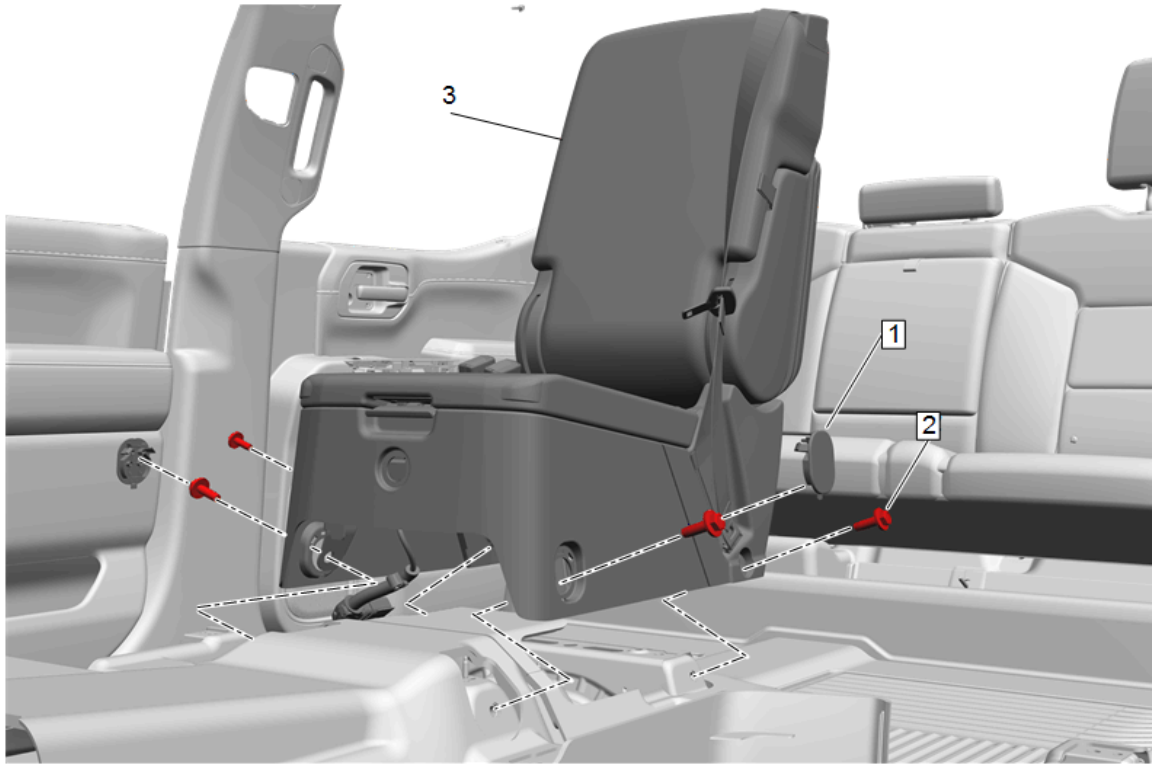

Front Seat Center Armrest Replacement

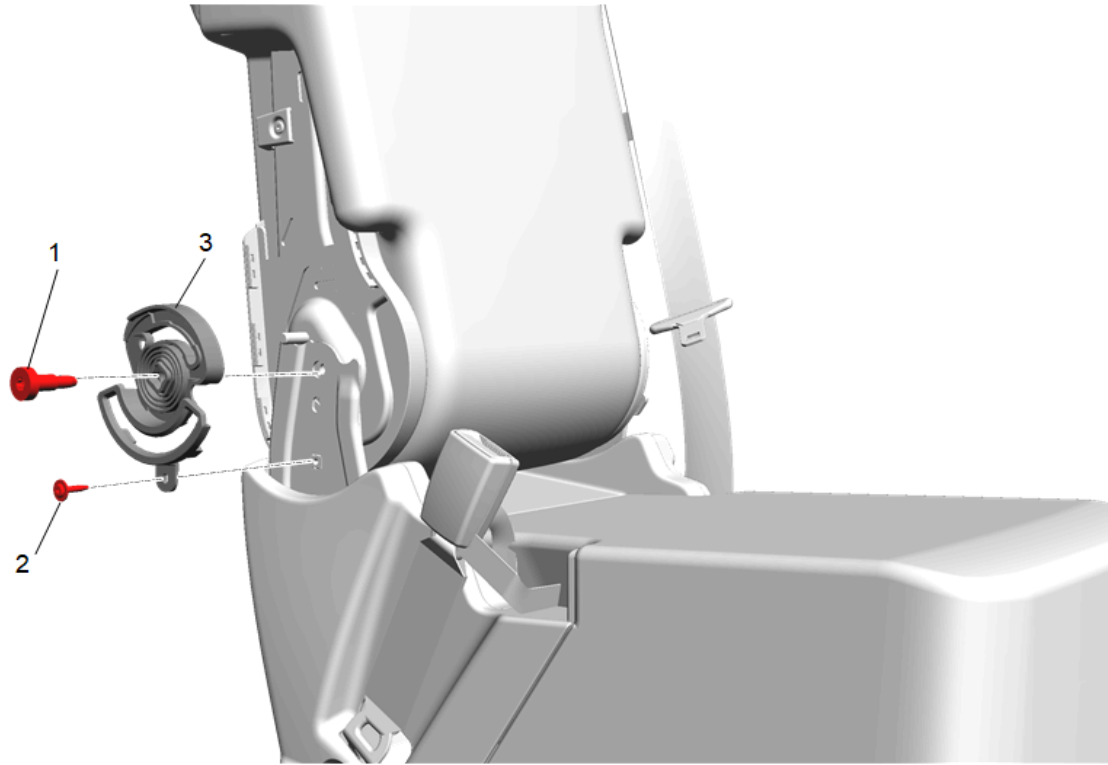
Removal Procedure



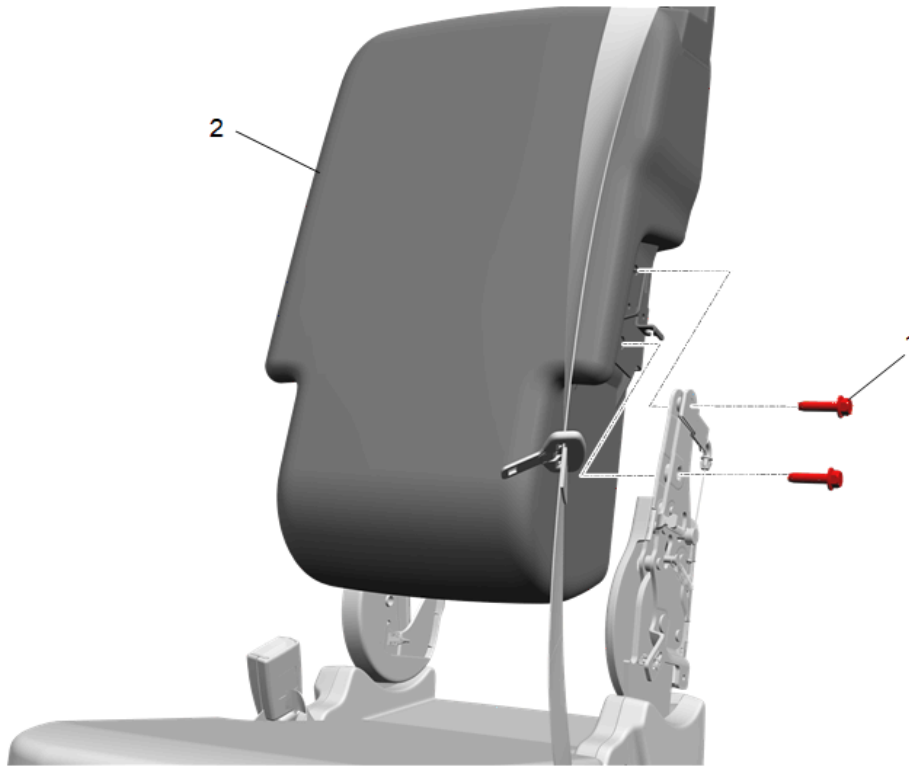
1. Front Seat Center Armrest Hinge Finish Cover - Upper(1) » Remove — Front Seat Center Armrest Hinge Finish Cover Replacement - Upper



2. Remove the left rear front center seat bolt (2) to remove the front center seat belt. Front Center Seat Removal and Installation

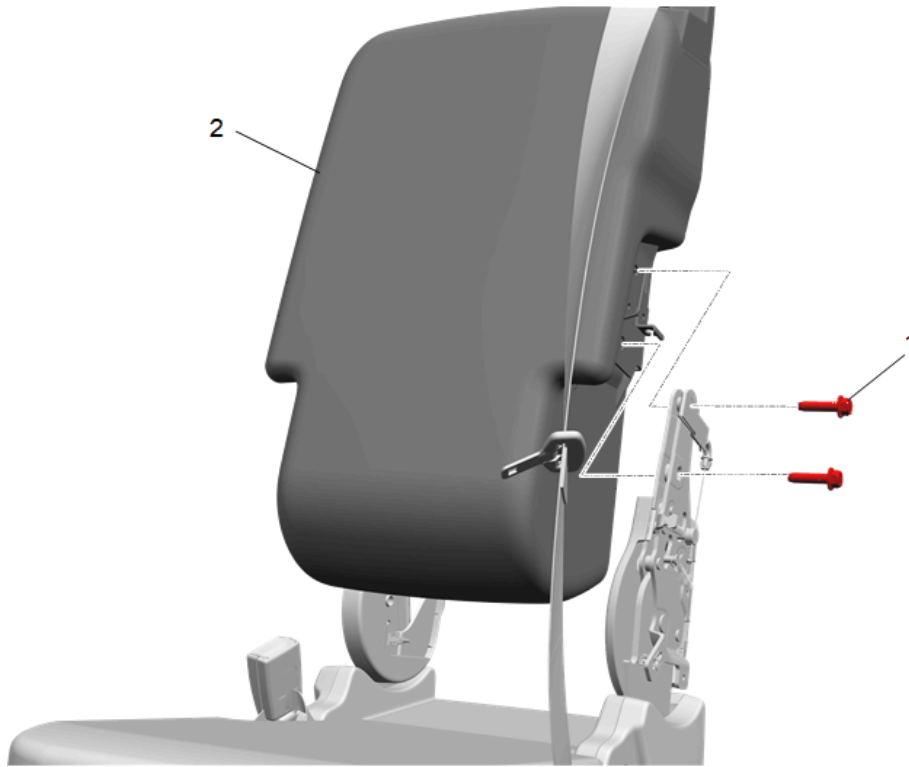


3. Front Seat Center Armrest Pivot Bolt(1) » Remove
4. Front Seat Armrest Adjust Retainer Screw(2) » Remove
5. Front Seat Armrest Adjust Retainer (3) » Remove



6. Disconnect the latch release cable.
7. Front Seat Center Armrest Bolt(1) » Remove [2x]
8. Front Center Seat Armrest (2) » Remove

Installation Procedure

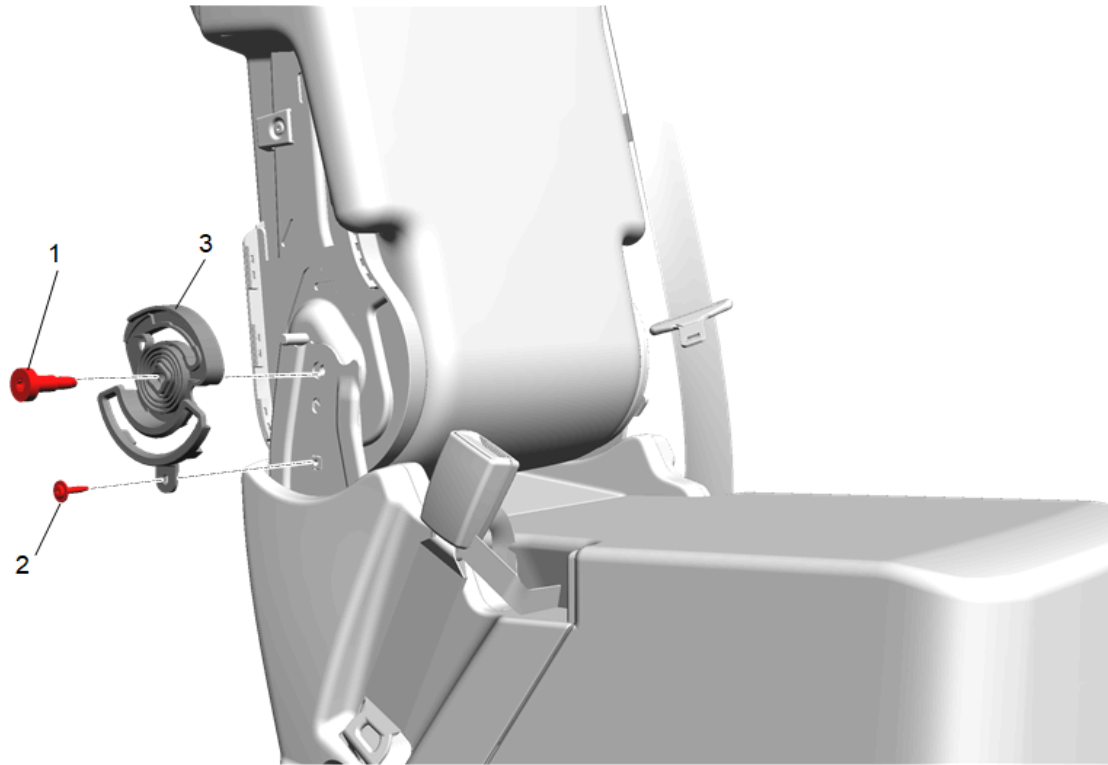


1. Front Center Seat Armrest (2) » Install

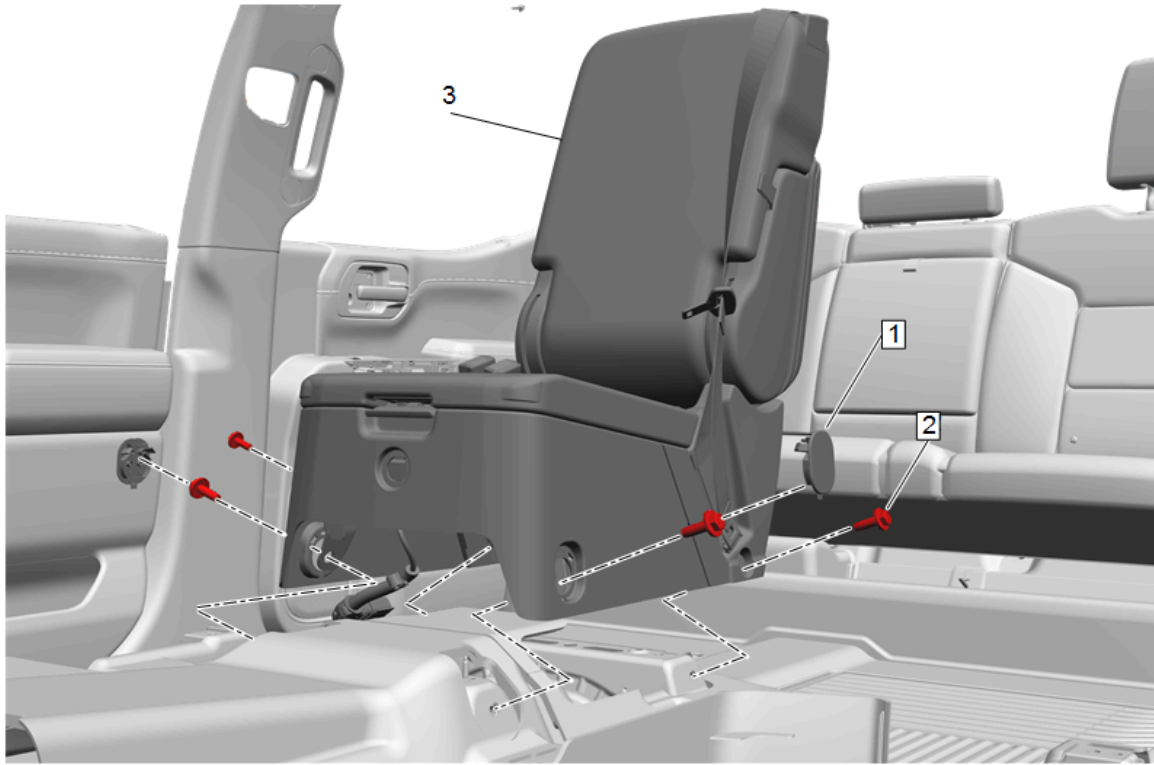
Caution: Refer to [Fastener Caution](#).

2. Front Seat Center Armrest Bolt(1) » Install and tighten [2x] **9 N•m (80 lb in)**

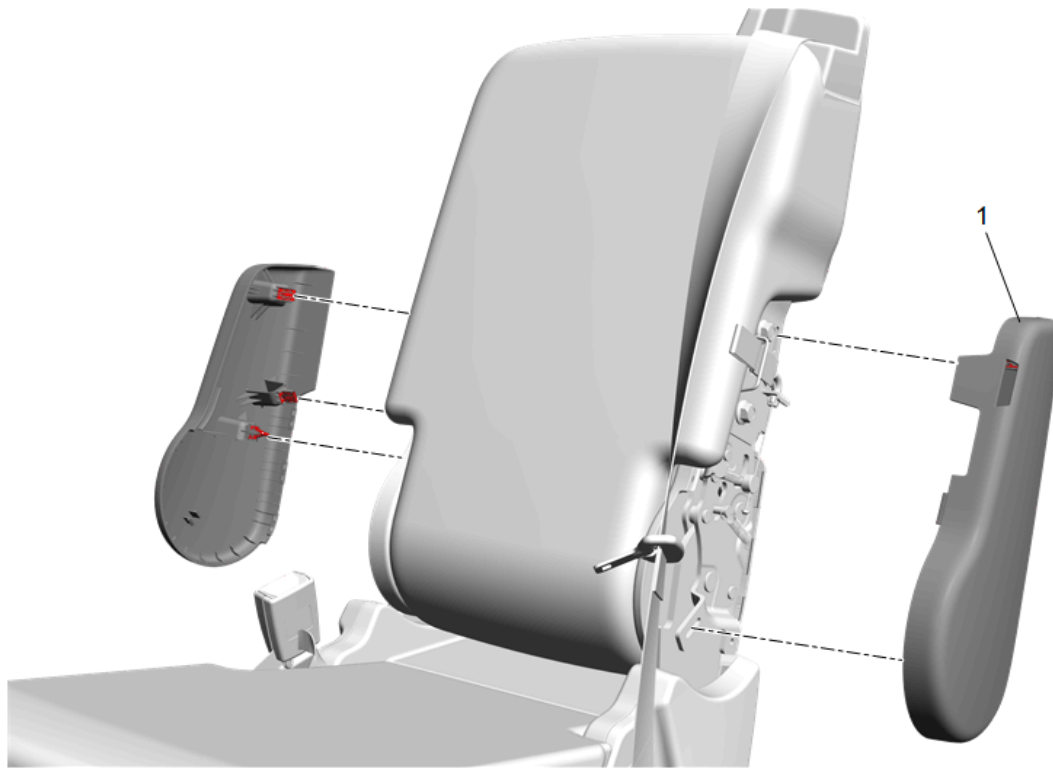
3. Connect the latch release cable.



4. Front Seat Armrest Adjust Retainer (3) » Install
5. Front Seat Armrest Adjust Retainer Screw(2) » Install and tighten **2.5N•m (22 lb in)**
6. Front Seat Center Armrest Pivot Bolt(1) » Install and tighten **9N•m (80 lb in)**



7. Install the front center seat belt and the left rear front center seat bolt (2). Front Center Seat Removal and Installation



8. Front Seat Center Armrest Hinge Finish Cover – Upper(1) » Install — Front Seat Center Armrest Hinge Finish Cover Replacement - Upper