

## Headlining Trim Panel Replacement (Crew Cab with CF5)

### Removal Procedure

**Warning:** Do not attempt to repair or alter the head impact energy-absorbing material glued to the headliner or to the garnish trims. If the material is damaged, replace the headliner and/or the garnish trim. Failure to do so could result in personal injury.

**Caution:** If a vehicle is equipped with a head curtain inflator module ensure that the inflator module and tether are undamaged. If tether or curtain airbag are damaged in any way, they must be replaced.

**Caution:** Use care when working around the head curtain inflator module. Sharp tools may puncture the curtain airbag. If the head curtain inflator module is damaged in any way, it must be replaced.

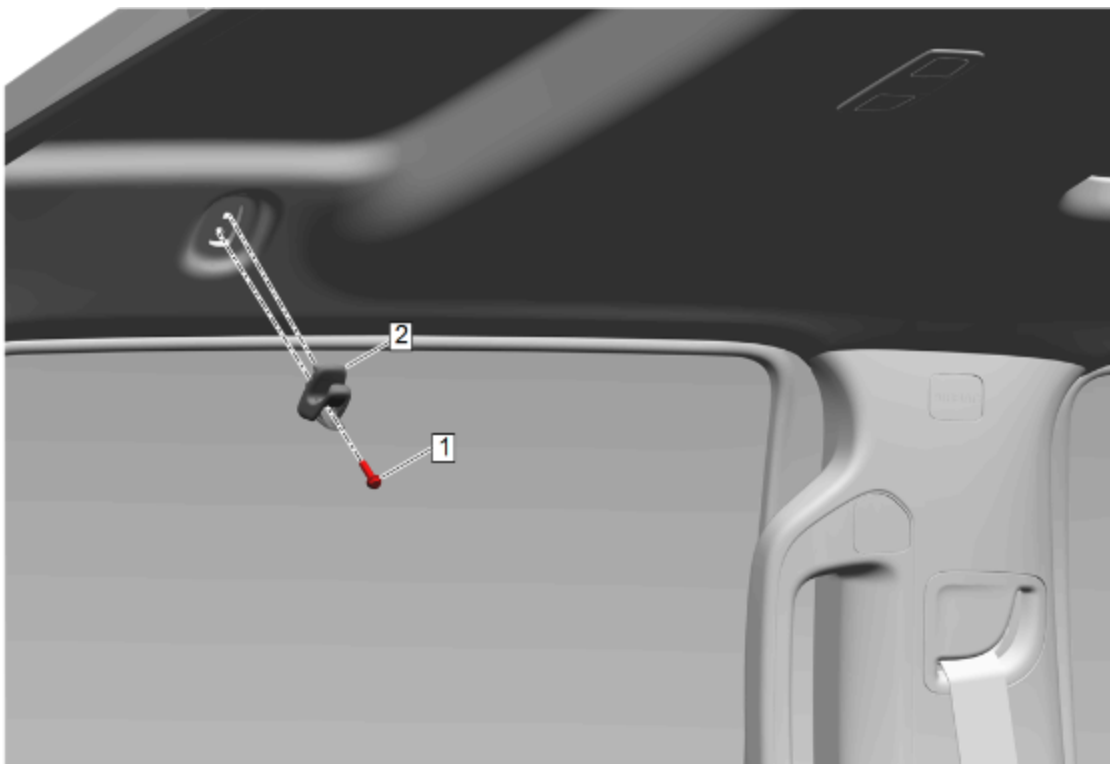
1. Disable the SIR system. [SIR Disabling and Enabling](#)



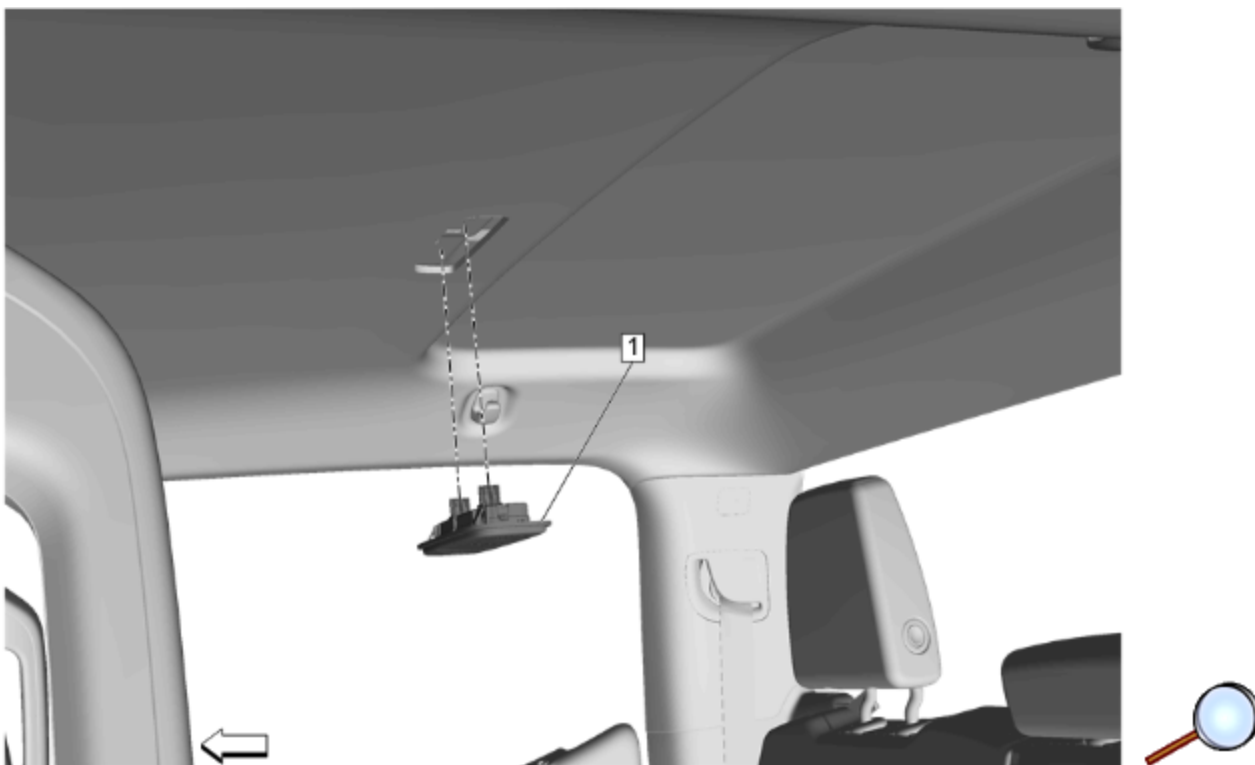
2. Sunshade (3) » Remove [2x] — [Sunshade Replacement](#)



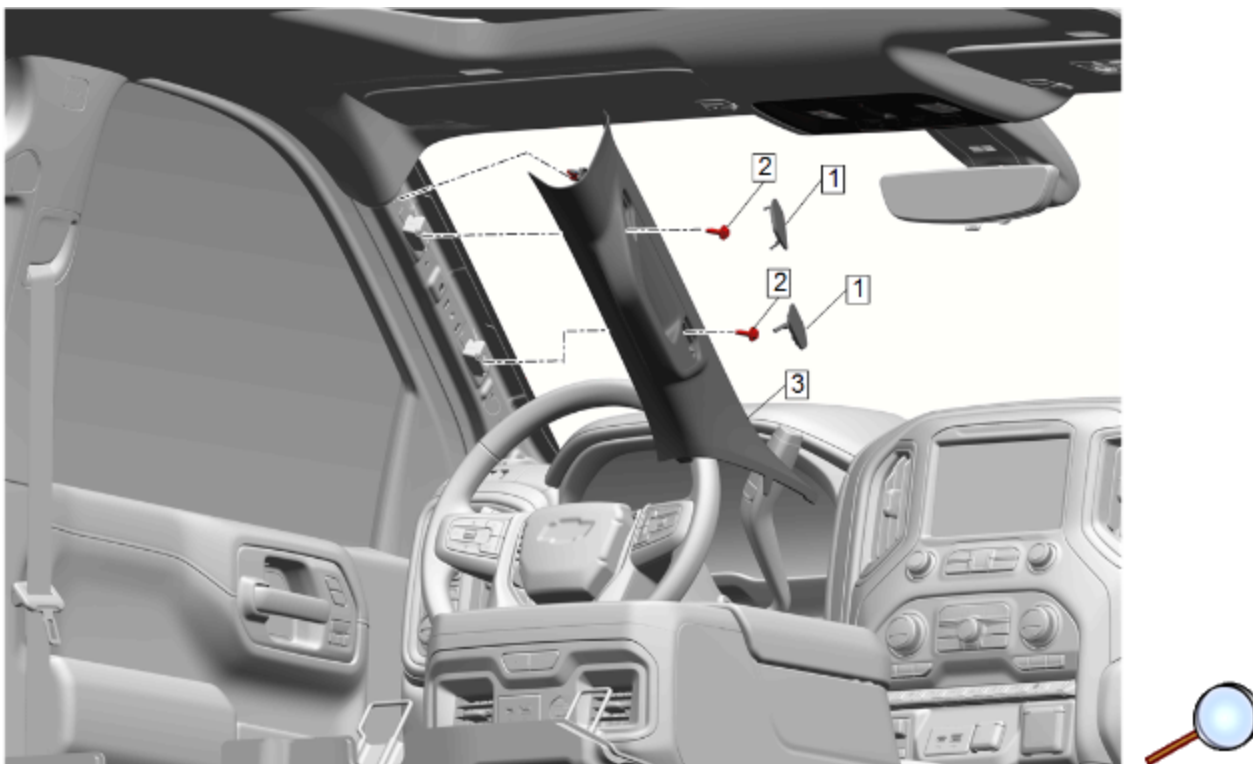
3. Sunshade Support (2) » Remove [2x] — [Sunshade Support Replacement](#)



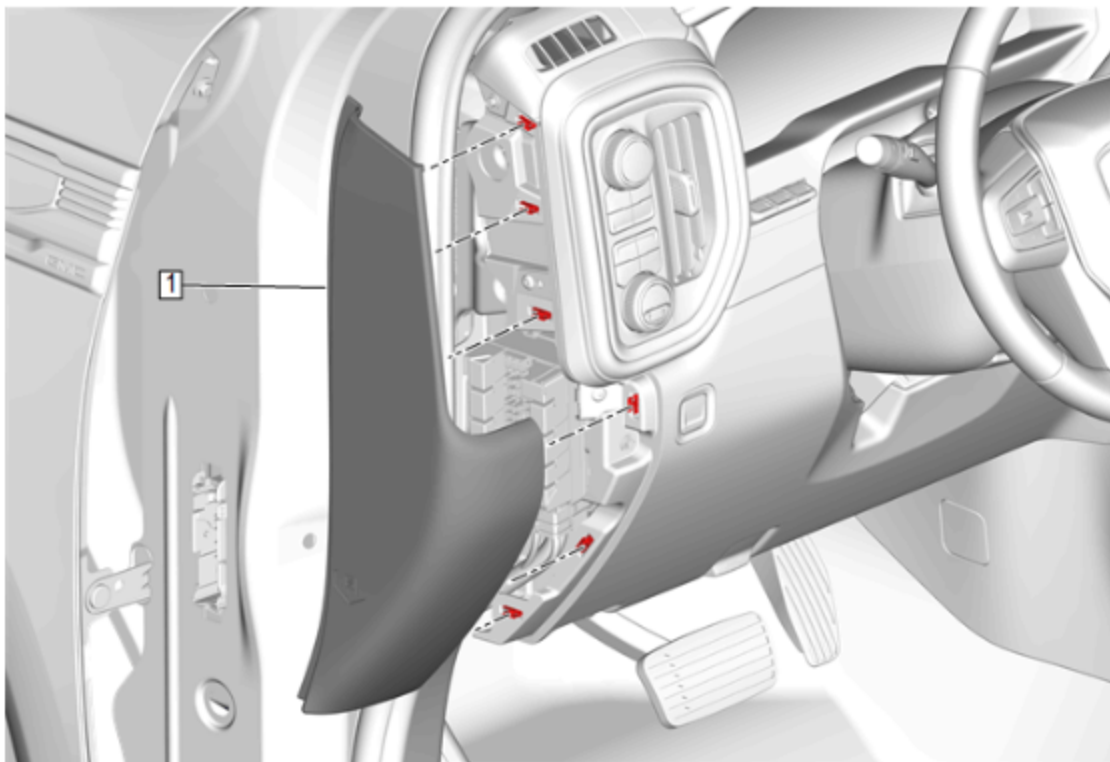
4. Coat Hook (2) » Remove [2x] — [Coat Hook Replacement](#)



5. Rear Seat Position Center Reading and Courtesy Lamp (1) » Remove — [Rear Seat Position Center Reading and Courtesy Lamp Replacement](#)



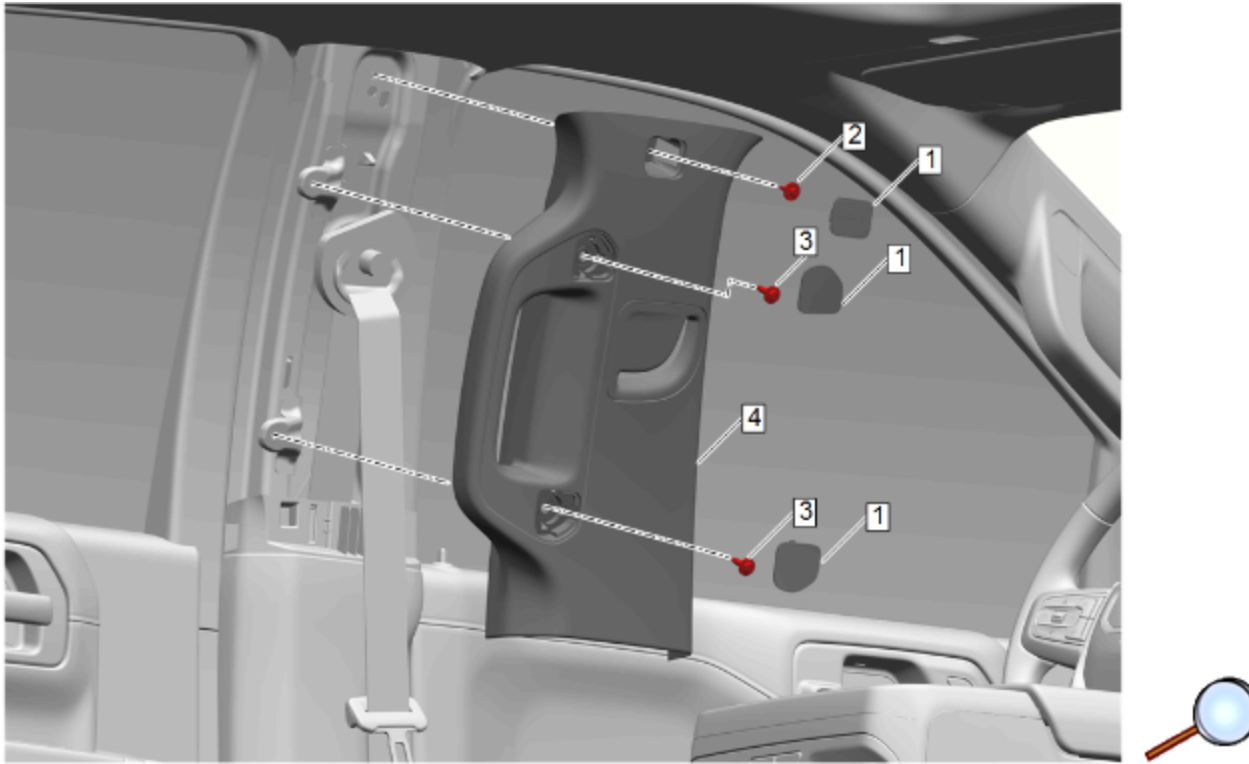
6. Windshield Garnish Molding (3) » Remove [2x] — [Windshield Garnish Molding Replacement](#)



7. Instrument Panel Fuse Block Access Hole Cover (1) » Remove — [Instrument Panel Fuse Block Access Hole Cover Replacement](#)

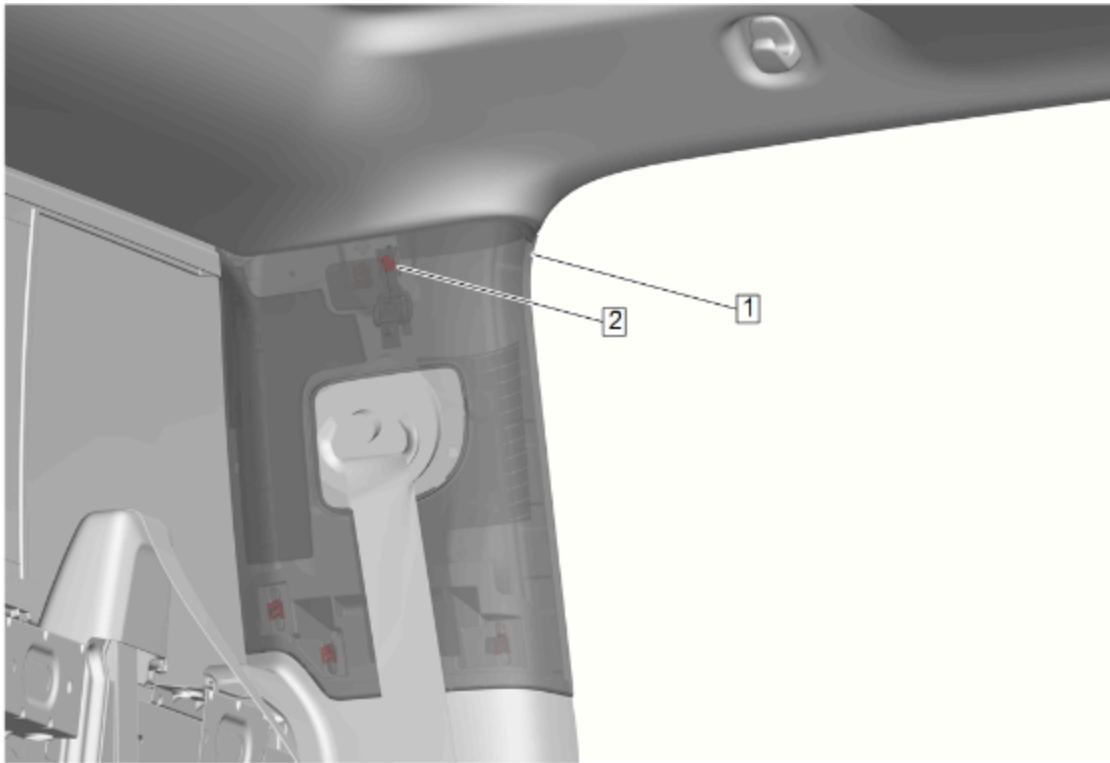


8. Front Side Door Sill Garnish Molding (1) » Remove — [Front Side Door Sill Garnish Molding Replacement](#)



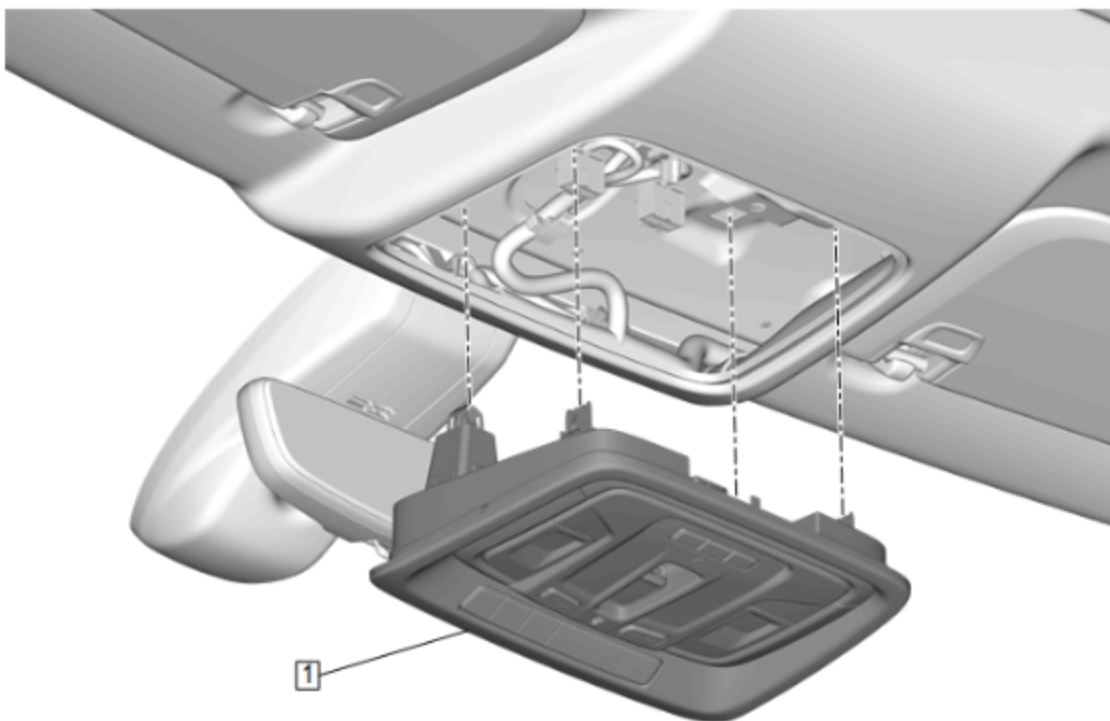
**Note:** It is not necessary to remove the seat belt.

9. Center Pillar Upper Trim Panel (4) » Remove [2x] — [Center Pillar Upper Trim Panel Replacement](#)

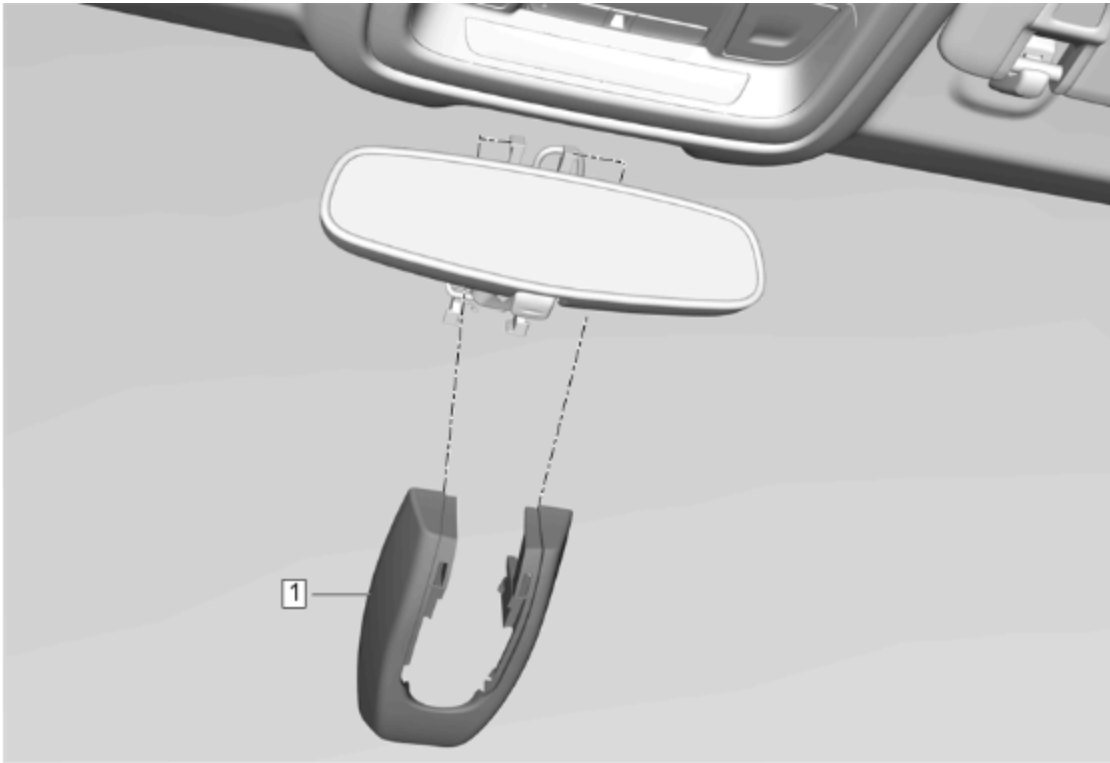


**Note:** It is not necessary to remove the seat belt.

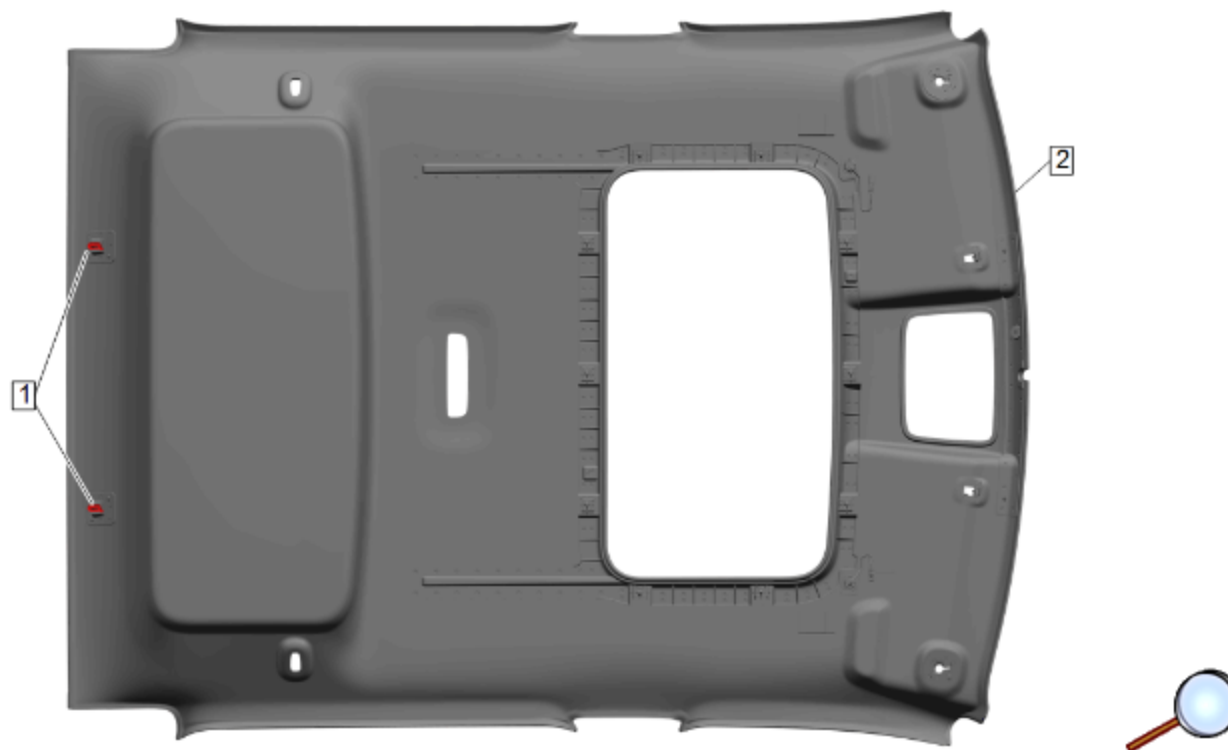
10. Body Side Rear Window Garnish Molding (2) » Remove [2x] — [Body Side Rear Window Garnish Molding Replacement](#)



11. Roof Console (1) » Remove — [Roof Console Replacement](#)



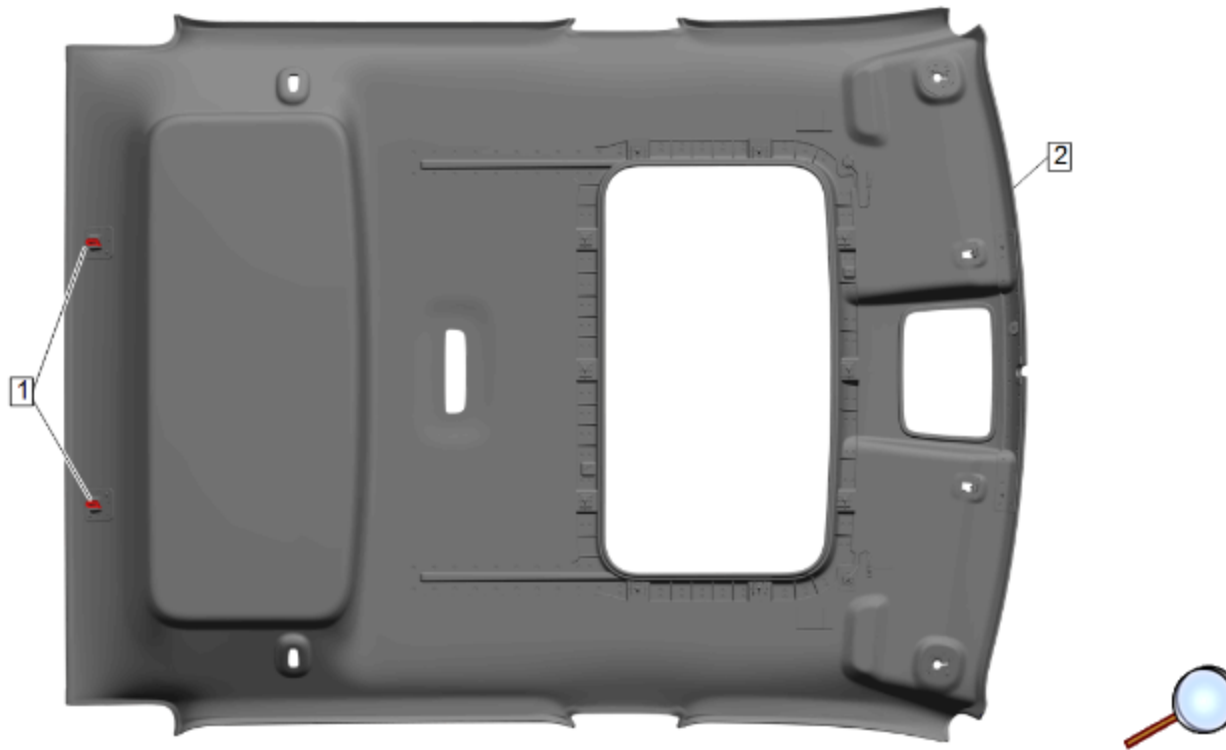
12. Windshield Multifunction Sensor Mount Bracket Cover (1) » Remove — [Windshield Multifunction Sensor Mount Bracket Cover Replacement](#)
13. Move the driver and passenger seats fully forward and recline.



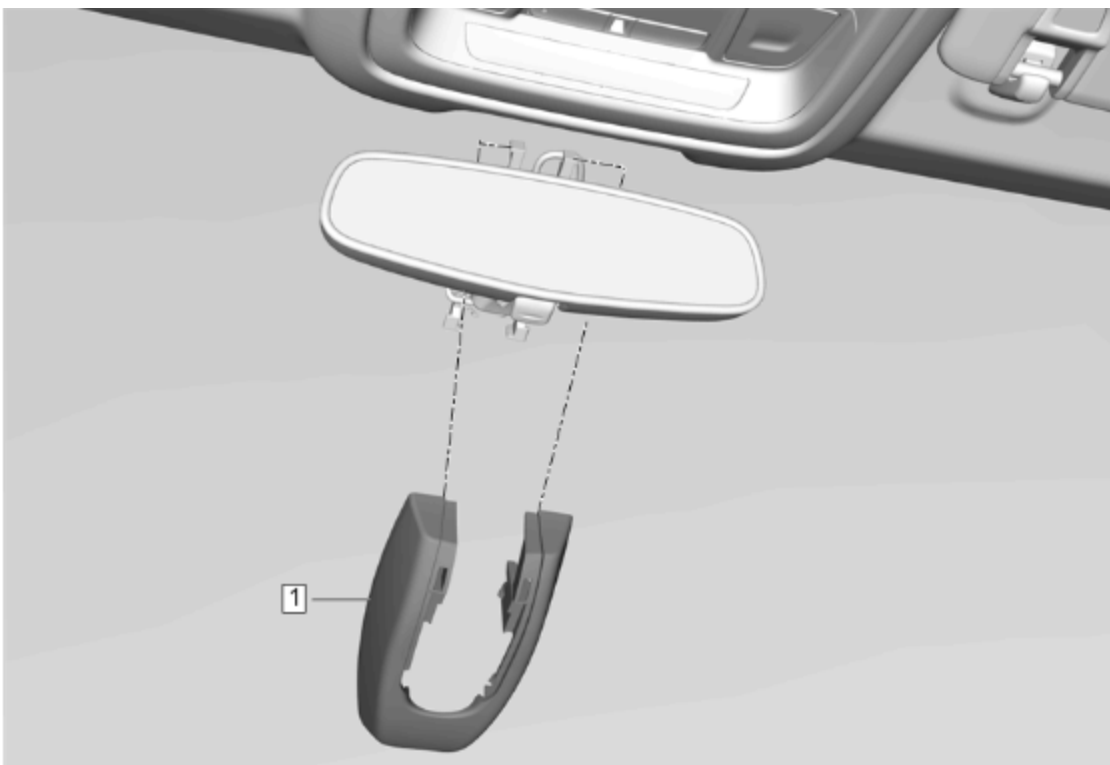
**Note:** Prior to removal, note the routing of the wire harness to aid in reassembly and to ensure proper installation.

14. Drop the headlining trim panel (2) down.
15. Disconnect the electrical connectors.
16. There are two retainers (1) at the rear underside of the headlining trim panel(2) , if necessary remove.
17. Windshield » Remove — [Windshield Replacement](#)
18. With the aid of an assistant, remove the headlining trim panel (2) from the vehicle through the front windshield.
19. Transfer components as necessary.
20. If transferring or replacing the wiring harness. [Headliner Harness Replacement](#)

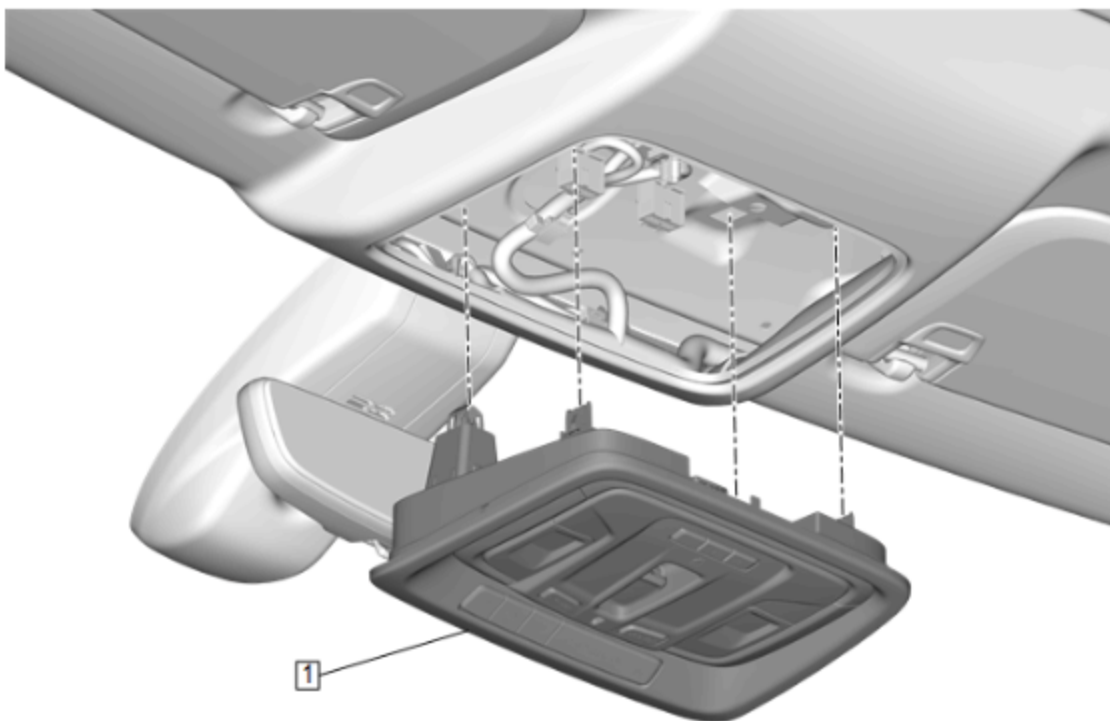
### **Installation Procedure**



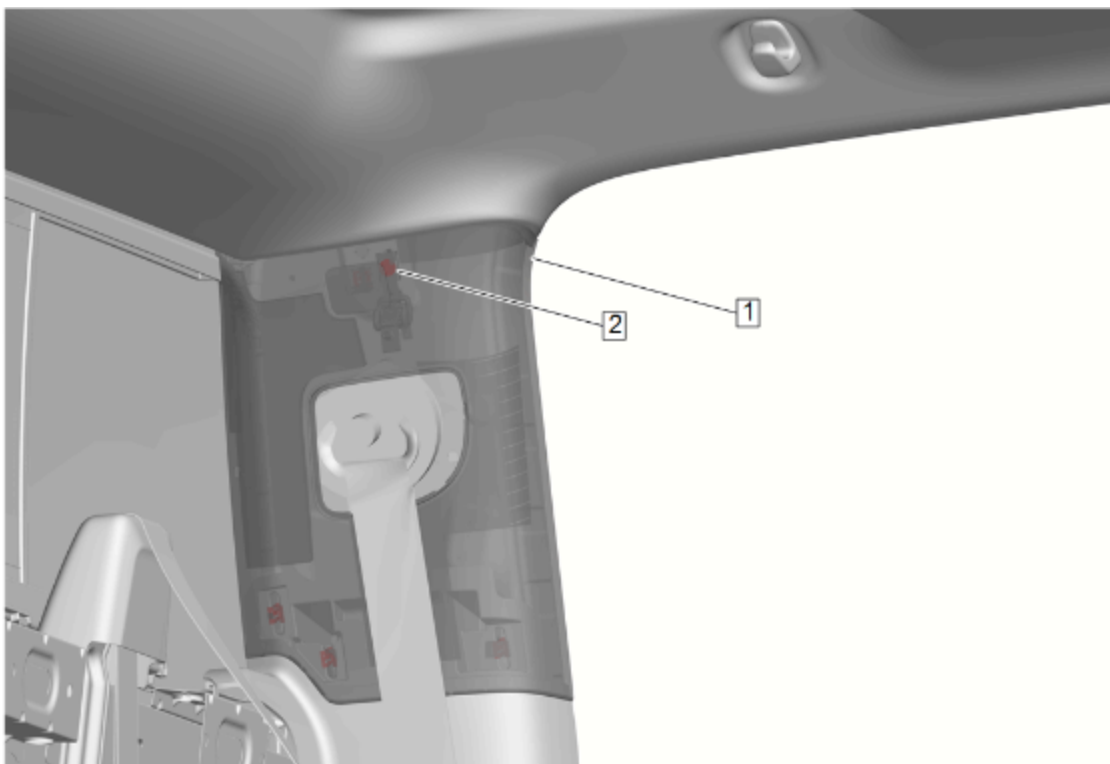
1. With the aid of an assistant, position the headlining trim panel (2) into the vehicle through the front windshield.
2. Lay the wiring harness on the new headlining trim panel (2) to confirm correct routing and ensure harness leads are proper length for mating connections prior to gluing.
3. Connect the electrical connectors.
4. Tape any unused connectors to the headlining with a high adhesive tape.
5. Engage the two retainers(1) at the rear underside of the headlining trim panel (2) .
6. Windshield » Install — [Windshield Replacement](#)



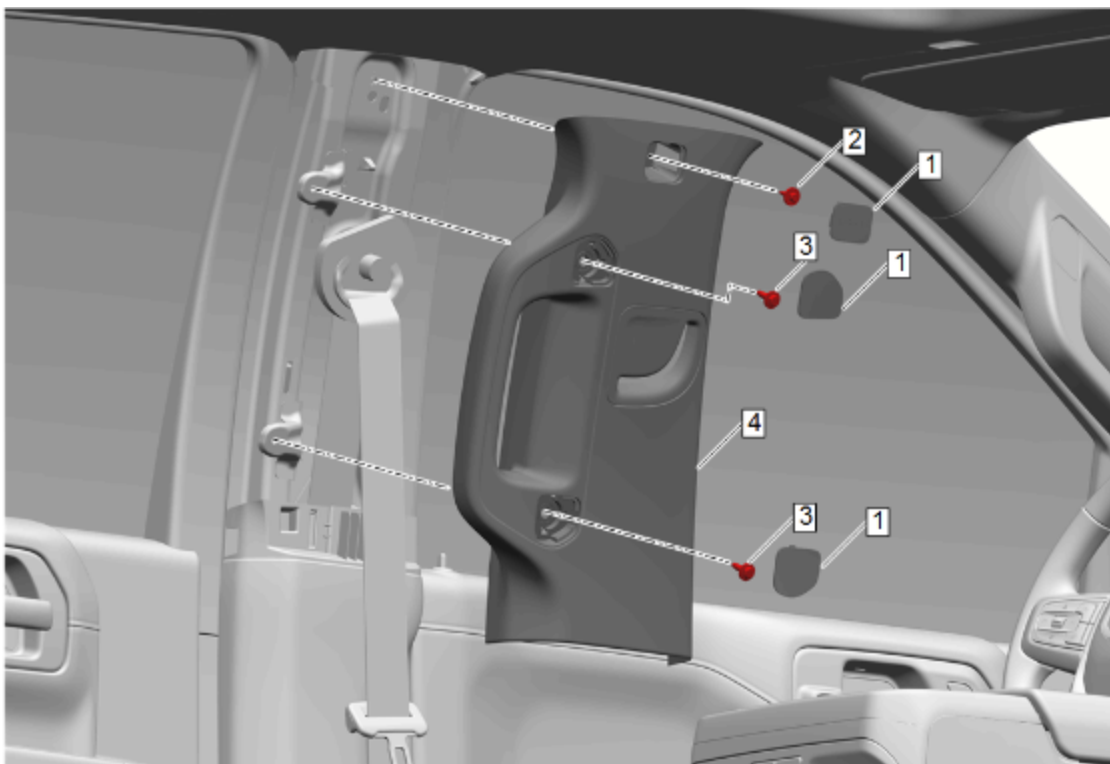
7. Windshield Multifunction Sensor Mount Bracket Cover (1) » Install — [Windshield Multifunction Sensor Mount Bracket Cover Replacement](#)



8. Roof Console (1) » Install — [Roof Console Replacement](#)



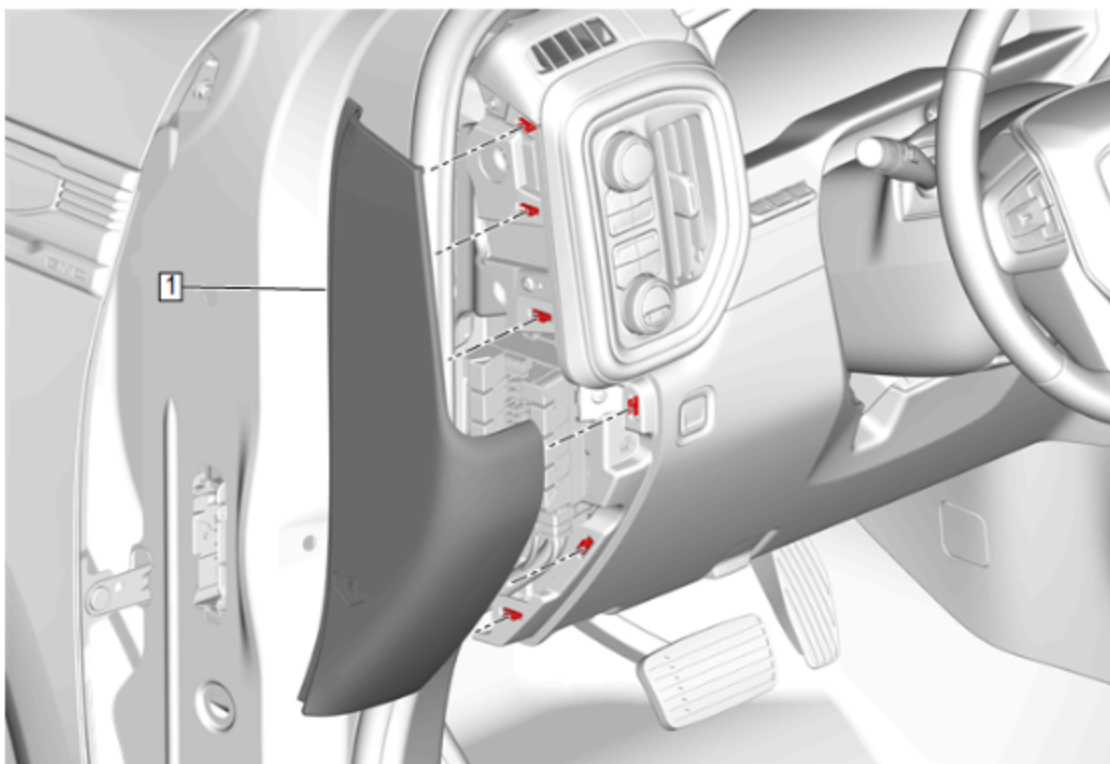
9. Body Side Rear Window Garnish Molding (2) » Install — [Body Side Rear Window Garnish Molding Replacement](#)



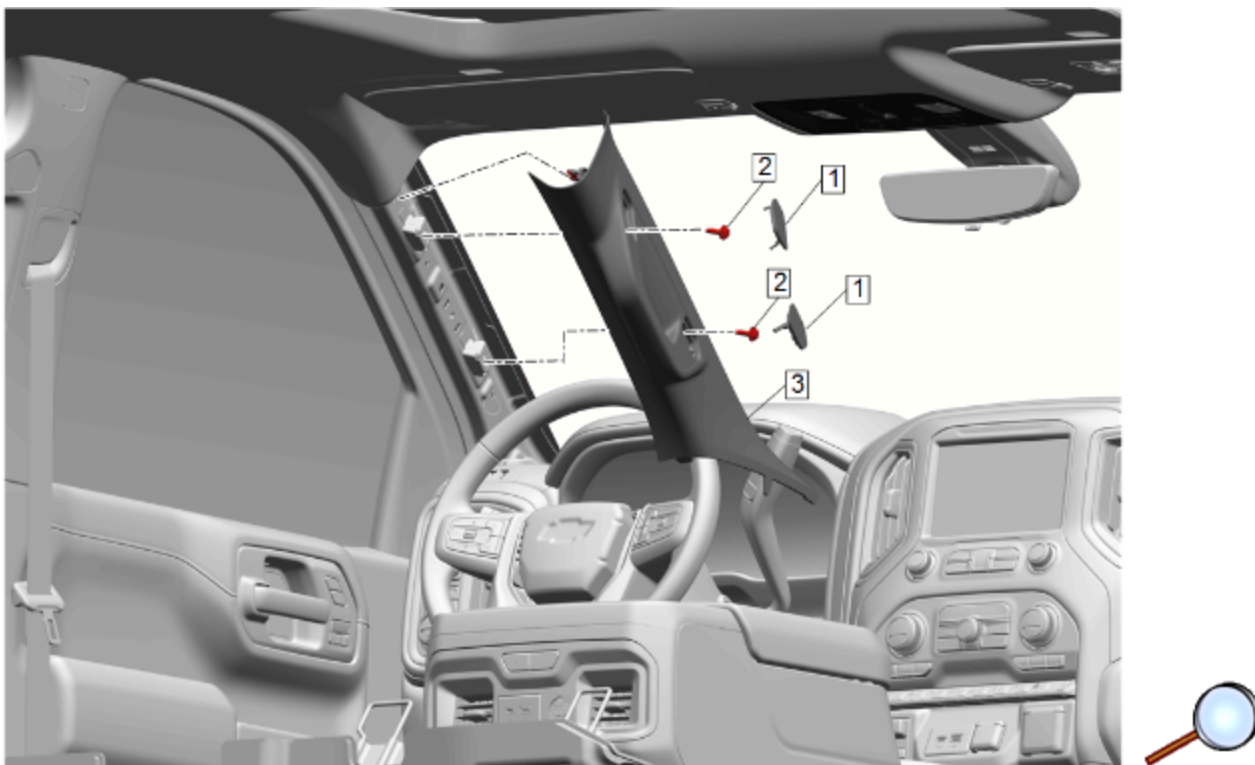
10. Center Pillar Upper Trim Panel (4) » Install [2x] — [Center Pillar Upper Trim Panel Replacement](#)



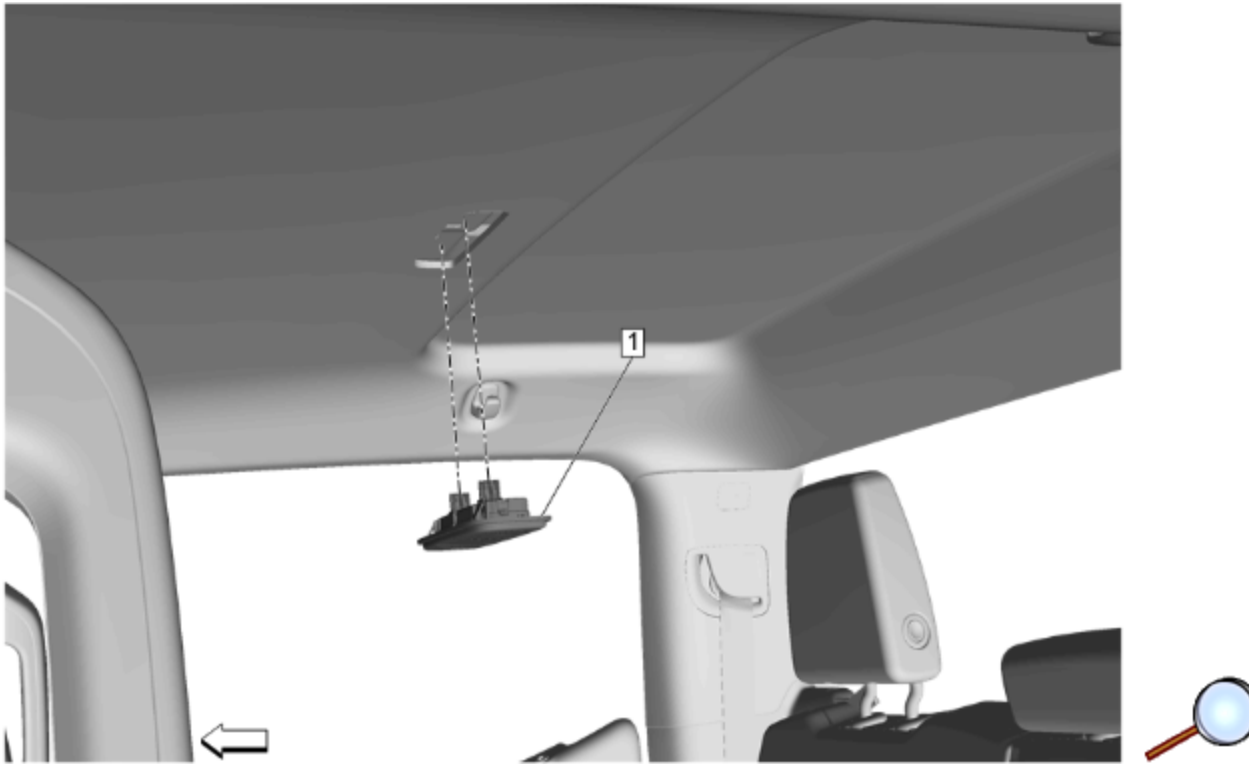
11. Front Side Door Sill Garnish Molding (1) » Install — [Front Side Door Sill Garnish Molding Replacement](#)



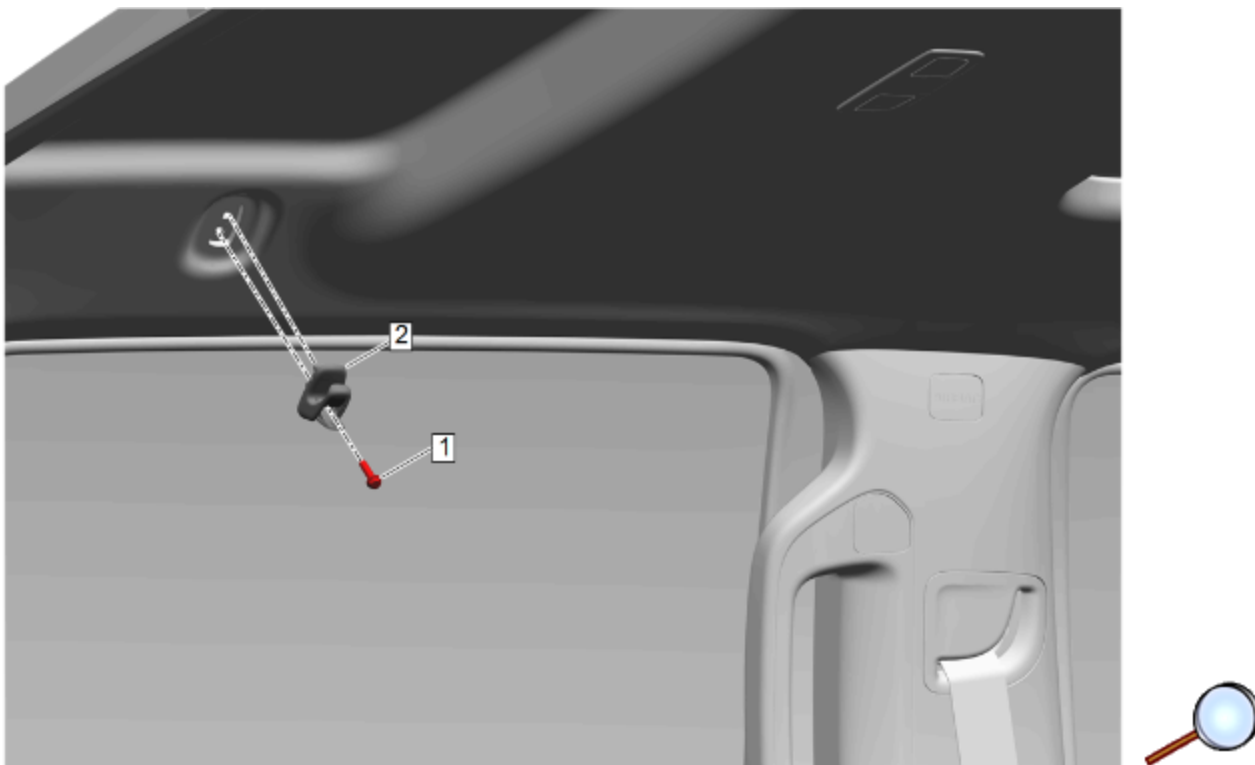
12. Instrument Panel Fuse Block Access Hole Cover (1) » Install — [Instrument Panel Fuse Block Access Hole Cover Replacement](#)



13. Windshield Garnish Molding (3) » Install [2x] — [Windshield Garnish Molding Replacement](#)



14. Rear Seat Position Center Reading and Courtesy Lamp (1) » Install — [Rear Seat Position Center Reading and Courtesy Lamp Replacement](#)



15. Coat Hook (2) » Install [2x] — [Coat Hook Replacement](#)



16. Sunshade Support (2) » Install [2x] — [Sunshade Support Replacement](#)



17. Sunshade (3) » Install [2x] — [Sunshade Replacement](#)
18. Enable the SIR System. [SIR Disabling and Enabling](#)