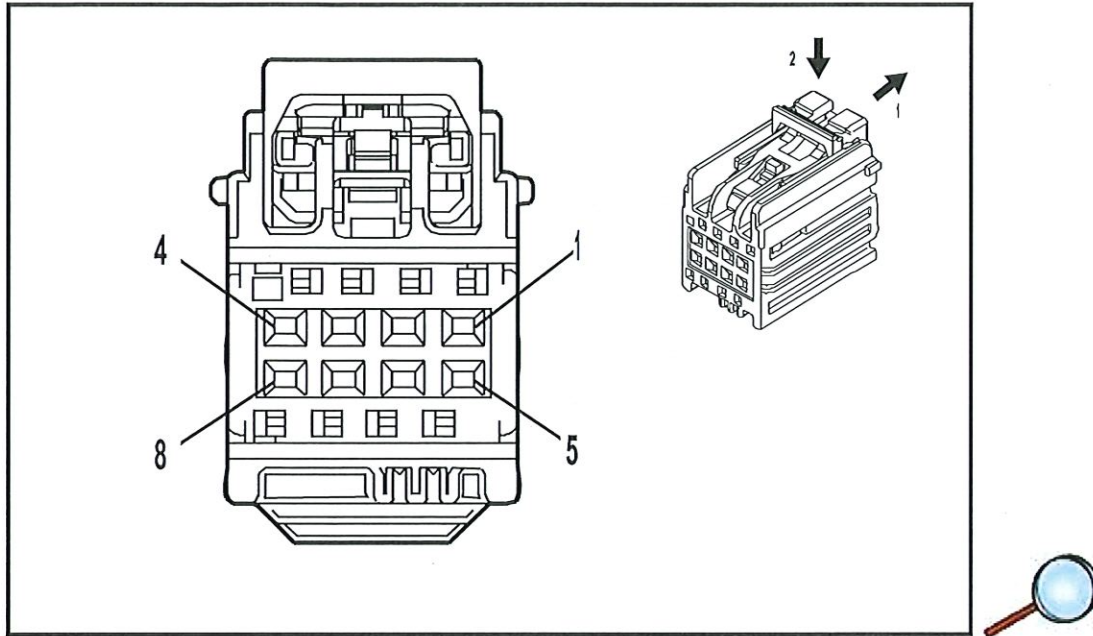
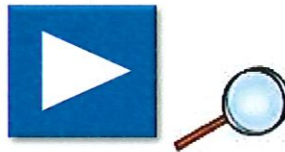


**S76 Trailer Brake Control Switch (JL1)**



Click Image For Video



**Connector Part Information**

- Harness Type: Instrument Panel
- OEM Connector: 7289-2894-30
- Service Connector: 19368548
- Description: 8-Way F 0.64 YESC Series (BK)

**Terminal Part Information**

Terminal Type ID	Terminated Lead	Diagnostic Test Probe	Terminal Removal Tool	Service Terminal	Tray Name	Core Crimp	Insulation Crimp
I	Not Required	J-35616-64B (LT BU)	No Tool Required	Not Required	Not Required	Not Required	Not Required

**S76 Trailer Brake Control Switch (JL1)**

Pin	Size	Color	Circuit	Function	Terminal Type ID	Option
1 - 2	—	—	—	Not Occupied	—	—
3	0.5	BU/RD	7632	Trailer Brake Control Switch 5V Reference	I	—
4	0.5	YE	7635	Trailer Brake Control Manual Apply Signal	I	—
5	0.5	BN	7634	Trailer Brake Control Redundant Manual Apply Signal	I	—
6	0.5	GN/BK	7633	Trailer Brake Control User Gain Signal	I	—
7	0.35	YE	6817	LED Backlight Dimming Control 1	I	—
8	0.5	BK/BN	7631	Trailer Brake Control Switch Low Reference	I	—