

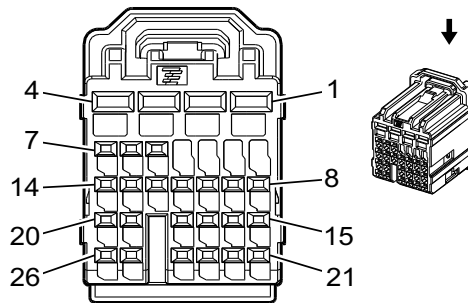
Terminal Part Information

Terminal Type ID	Terminated Lead	Diagnostic Test Probe	Terminal Removal Tool	Service Terminal	Tray Name	Core Crimp	Insulation Crimp
I	Not Required	J-35616-4A (PU)	No Tool Required	Not Required	Not Required	Not Required	Not Required

G24 Windshield Washer Pump

Pin	Size	Color	Circuit	Function	Terminal Type ID	Option
1	0.5	GY/VT	228	Windshield Washer Pump Control	I	—
2	0.75	BK	150	Ground	I	—

K9 Body Control Module X1



2537268

Connector Part Information

Harness Type: Instrument Panel
 OEM Connector: 13824335
 Service Connector: 13576031
 Description: 26-Way F 0.64, 2.8 Series (NA)

Terminal Part Information

Terminal Type ID	Terminated Lead	Diagnostic Test Probe	Terminal Removal Tool	Service Terminal	Tray Name	Core Crimp	Insulation Crimp
I	13575578	J-35616-35 (VT)	J-38125-553	8100-4445	Sumitomo 22	F	D
II	13582297	J-35616-64B (LT BU)	J-38125-215A	Not Available	Not Available	Not Available	Not Available
III	13582326	J-35616-35 (VT)	J-38125-553	8100-4444	Sumitomo 22	2	A
IV	19366999	J-35616-35 (VT)	J-38125-553	8100-4443	Sumitomo 22	E	A

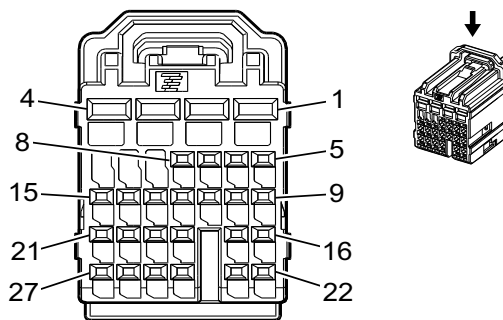
K9 Body Control Module X1

Pin	Size	Color	Circuit	Function	Terminal Type ID	Option
1	2.5	BK	1850	Ground	I	—
2	1	RD/D-BU	2540	Battery Positive Voltage	III	—
3	0.5	RD/GY	2140	Battery Positive Voltage	IV	—

K9 Body Control Module X1 (cont'd)

Pin	Size	Color	Circuit	Function	Terminal Type ID	Option
4	0.75	RD/BN	2240	Battery Positive Voltage	III	—
5	0.5	WH	6816	Indicator Dimming Control	II	—
6 - 7	—	—	—	Not Occupied	—	—
8	0.35	BN/BK	5720	Ignition Mode Switch Accessory LED Signal	II	—
9	0.35	WH/BN	7555	Lighting Control Switch Signal	II	—
10	—	—	—	Not Occupied	—	—
11	0.35	L-GN/BN	306	Headlamp Switch Headlamps Off Signal Control	II	—
12	—	—	—	Not Occupied	—	—
13	0.35	YE	7556	Lighting Control Switch Reference	II	—
14	0.35	GY/L-GN	328	Interior Lamp Defeat Switch Signal	II	—
15	—	—	—	Not Occupied	—	—
16	0.35	WH/VT	103	Headlamp Switch On Signal	II	—
17	—	—	—	Not Occupied	—	—
18	0.35	BU/VT	5904	Steering Column Lock Status Signal	II	—
19	0.35	BK/BN	5360	Brake Apply Sensor Low Reference	II	—
20	0.35	BU/BK	5719	Ignition Mode Switch Start LED Signal	II	—
21	0.35	GY	728	Security Indicator Control	II	—
22	0.35	L-GN/GY	13	Headlamp Switch Park Lamp Signal	II	—
23	0.35	GY	157	Interior Lamp Control	II	—
24	0.35	WH	2501	High Speed GMLAN Serial Data (-) 1	II	—
25	0.35	BU	2500	High Speed GMLAN Serial Data (+) 1	II	—
26	0.35	BU/WH	3275	Remote Function Actuator Receive Signal	II	—

K9 Body Control Module X2



2537269

Connector Part Information

Harness Type: Instrument Panel
 OEM Connector: 13824336
 Service Connector: 13576032
 Description: 27-Way F 0.64, 2.8 Series (BU)

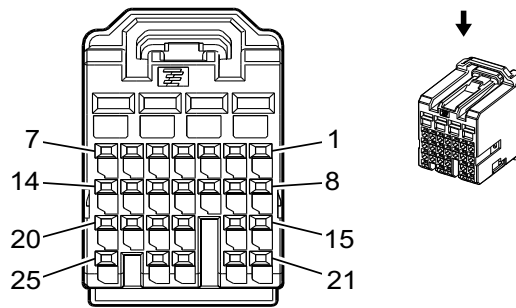
Terminal Part Information

Terminal Type ID	Terminated Lead	Diagnostic Test Probe	Terminal Removal Tool	Service Terminal	Tray Name	Core Crimp	Insulation Crimp
I	13575578	J-35616-35 (VT)	J-38125-553	8100-4445	Sumitomo 22	F	D
II	13582297	J-35616-64B (LT BU)	J-38125-215A	Not Available	Not Available	Not Available	Not Available
III	19366999	J-35616-35 (VT)	J-38125-553	8100-4443	Sumitomo 22	E	A

K9 Body Control Module X2

Pin	Size	Color	Circuit	Function	Terminal Type ID	Option
1	0.5	RD/WH	2740	Battery Positive Voltage	III	—
2	2.5	BK	1850	Ground	I	—
3	0.5	RD/BN	2940	Battery Positive Voltage	III	—
4	2.5	RD/VT	4040	Battery Positive Voltage	I	—
5	0.35	VT/GN	7558	LED Ambient Lighting Control 2	II	—
6	—	—	—	Not Occupied	—	—
7	0.35	BU/YE	5361	Brake Apply Sensor Signal	II	—
8 - 9	—	—	—	Not Occupied	—	—
10	0.35	WH/BU	278	Ambient Light Sensor Signal	II	—
11	0.35	YE/BU	7295	Left Minor Endgate Ajar Signal	II	—
12	0.35	WH/BN	7296	Right Minor Endgate Ajar Signal	II	—
13	0.35	WH	5359	Brake Apply Sensor Control	II	—
14	0.35	BU/VT	1788	Traction Control Switch Signal 1	II	—
15	0.35	GY/WH	4630	AC Power Outlet Switch Signal	II	—
	0.35	GY/WH	7176	All Windows Open Switch Signal	II	—
16	0.35	GY	3273	Remote Function Actuator Low Reference	II	—
17	0.35	BU/GN	5723	Ignition Mode Switch Mode Voltage	II	—
18	0.35	GY	158	Cargo Lamp Switch Signal	II	—
19	0.35	WH/GY	2935	Task Lamp Switch Signal	II	—
20	0.5	WH/BU	3691	Trailer Brake Apply Signal	II	—
21	0.5	GN/GY	6135	Local Interconnect Network Serial Data Bus 4	II	—
22	0.35	GN	5060	Low Speed GMLAN Serial Data	II	—
23 - 24	—	—	—	Not Occupied	—	—
25	0.35	GY/WH	3272	Remote Function Actuator Control	II	—
26	0.35	GN/WH	111	Hazard Switch Signal	II	—
27	0.35	YE/GN	3274	Remote Function Actuator Transmit Signal	II	—

K9 Body Control Module X3



2537274

Connector Part Information

Harness Type: Instrument Panel
 OEM Connector: 13824337
 Service Connector: 13576037
 Description: 25-Way F 0.64, 2.8 Series (GN)

Terminal Part Information

Terminal Type ID	Terminated Lead	Diagnostic Test Probe	Terminal Removal Tool	Service Terminal	Tray Name	Core Crimp	Insulation Crimp
I	13582297	J-35616-64B (LT BU)	J-38125-215A	Not Available	Not Available	Not Available	Not Available

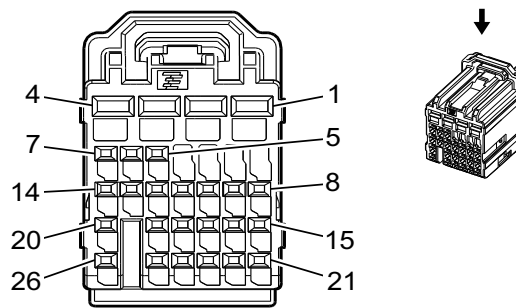
K9 Body Control Module X3

Pin	Size	Color	Circuit	Function	Terminal Type ID	Option
1	0.35	L-GN/GY	3277	Vehicle Anti-Theft System Immobilizer Low Reference	I	BTM
	0.5	L-GN/GY	3277	Vehicle Anti-Theft System Immobilizer Low Reference	I	-BTM
2	0.35	L-GN/VT	7533	Local Interconnect Network Serial Data Bus 11	I	BTM
	0.5	L-GN/VT	7533	Local Interconnect Network Serial Data Bus 11	I	-BTM
3	0.35	GY/BK	3276	Vehicle Anti-Theft System Immobilizer Control	I	BTM
	0.5	GY/BK	3276	Vehicle Anti-Theft System Immobilizer Control	I	-BTM
4	0.35	WH/RD	1444	12V Reference	I	—
5	0.35	VT/YE	4	Accessory Ignition Voltage	I	—
6	0.35	VT/BK	3	Run/Crank Ignition 1 Voltage	I	—
7 - 8	—	—	—	Not Occupied	—	—
9	0.35	BN/L-GN	1884	Cruise Control Set/Coast/Resume/Accelerate Switch Signal	I	—
10	0.5	BK/GY	6009	Windshield Wiper Switch Low Reference	I	—
11	0.5	WH	524	Headlamp Dimmer Switch High Beam Signal	I	—
12	0.5	WH/L-GN	663	Hazard Switch Left Turn Signal	I	—
13	0.5	YE/D-BU	1714	Windshield Wiper Switch Low Signal	I	—
14	0.5	WH/GY	3849	High Beam Auto On/Off Switch Signal	I	—
15	0.35	WH/VT	1020	Off/Run/Crank Ignition Voltage	I	—
16	0.35	GY/L-GN	5737	Adaptive Cruise Control Gap Up/Down Switch Signal	I	—
17	0.5	YE/BN	307	Headlamp Switch Flash To Pass Signal	I	—

K9 Body Control Module X3 (cont'd)

Pin	Size	Color	Circuit	Function	Terminal Type ID	Option
18	0.35	L-GN/WH	3287	Horn Switch Signal	I	—
19	0.35	L-GN/WH	4115	Local Interconnect Network Serial Data Bus 15	I	—
20	0.5	GY	1715	Windshield Wiper Switch High Signal	I	—
21	0.5	VT/YE	5526	Tap Up/Tap Down Switch Signal	I	—
22	0.35	WH/BK	1073	Ignition Key Resistor Signal	I	—
23	0.35	L-GN	4512	Wireless Charging System Charge Indicator Control	I	—
24	0.5	VT/D-BU	664	Hazard Switch Right Turn Signal	I	—
25	0.35	WH/BK	94	Windshield Washer Switch Signal	I	—

K9 Body Control Module X4



2537270

Connector Part Information

Harness Type: Body
 OEM Connector: 13826914
 Service Connector: 13576033
 Description: 26-Way F 0.64, 2.8 Series (BK)

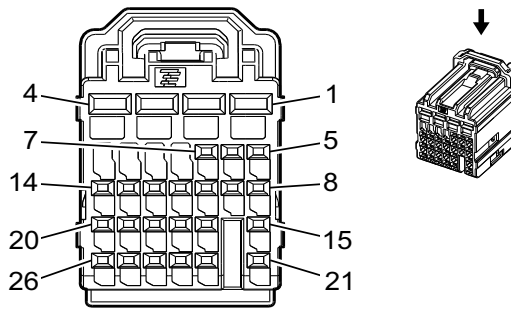
Terminal Part Information

Terminal Type ID	Terminated Lead	Diagnostic Test Probe	Terminal Removal Tool	Service Terminal	Tray Name	Core Crimp	Insulation Crimp
I	13575577	J-35616-35 (VT)	J-38125-553	8100-4443	Sumitomo 22	E	A
II	13582297	J-35616-64B (LT BU)	J-38125-215A	Not Available	Not Available	Not Available	Not Available
III	13582298	J-35616-64B (LT BU)	J-38125-215A	Not Available	Not Available	Not Available	Not Available
IV	13582326	J-35616-35 (VT)	J-38125-553	8100-4444	Sumitomo 22	2	A
V	13582326	J-35616-35 (VT)	J-38125-553	8100-4444	Sumitomo 22	E	A
VI	13582326	J-35616-35 (VT)	J-38125-553	8100-4444	Sumitomo 22	Not Available	Not Available
VII	19366999	J-35616-35 (VT)	J-38125-553	8100-4443	Sumitomo 22	E	A

7-210 Electrical Component and Inline Harness Connector End Views
K9 Body Control Module X4

Pin	Size	Color	Circuit	Function	Terminal Type ID	Option
1	0.75	YE	712	Left Headlamp Low Beam Control	IV	—
2	1	YE	312	Right Headlamp Low Beam Control	IV	—
3	0.35	GN/VT	1315	Right Front Turn Signal Lamp Control	I	—
	0.35	GN/VT	1315	Right Front Turn Signal Lamp Control	VI	—
	0.5	GN/VT	1315	Right Front Turn Signal Lamp Control	V	—
	0.5	GN/VT	1315	Right Front Turn Signal Lamp Control	VII	—
4	1	BN/GN	19	Right Rear Stop/Turn Lamp Control	IV	—
5 - 6	—	—	—	Not Occupied	—	—
7	0.35	GY/BU	7538	Left Front DRL Control	II	—
8	0.35	VT/GY	1630	Steering Column Key Cylinder Lock Solenoid Control	II	—
9	0.35	WH/VT	968	—	II	—
10	—	—	—	Not Occupied	—	—
11	0.35	VT/WH	5065	Stop Lamp Relay Coil Control	II	—
	0.35	VT/WH	5065	Stop Lamp Relay Coil Control	III	—
12	0.35	GY/VT	755	RAP Relay Coil Control	II	—
13	0.35	GN/YE	6846	Rear License Lamp Control	II	—
14	0.35	BN/GY	2268	Windshield Washer Relay Control	II	—
15	0.35	GN/VT	5199	Run/Crank Relay Coil Control	II	—
16	0.35	GY	91	Windshield Wiper Motor Relay Coil Control	II	—
17	0.35	BN/GN	196	Windshield Wiper Motor Park Switch Signal	II	—
18	0.35	WH/YE	5075	Current Sensor Signal	II	—
	0.35	WH/YE	5075	Current Sensor Signal	III	—
	0.35	GN/BU	761	Blower Speed Feedback Signal	III	—
19	0.35	BU/YE	6844	ABS/TCS Hill Descent Control Switch Signal	II	—
	0.35	BU/YE	7176	All Windows Open Switch Signal	II	—
20	0.75	RD/YE	2340	Battery Positive Voltage	III	—
21	0.35	BU/VT	5076	Current Sensor Control	II	—
22	0.35	VT/YE	5985	Accessory Wakeup Serial Data	II	—
23	0.35	WH/BU	5986	Serial Data Communication Enable	II	—
24	0.35	BN/GN	4064	Hood Status B Signal	II	—
25	0.35	YE/BU	4086	Pushbutton Start Challenge Active Signal	II	—
26	0.75	BK/WH	2351	Signal Ground	III	—

K9 Body Control Module X5



2537271

Connector Part Information

Harness Type: Body
 OEM Connector: 13826916
 Service Connector: 13576034
 Description: 26-Way F 0.64, 2.8 Series (BN)

Terminal Part Information

Terminal Type ID	Terminated Lead	Diagnostic Test Probe	Terminal Removal Tool	Service Terminal	Tray Name	Core Crimp	Insulation Crimp
I	13575577	J-35616-35 (VT)	J-38125-553	8100-4443	Sumitomo 22	E	A
II	13582297	J-35616-64B (LT BU)	J-38125-215A	Not Available	Not Available	Not Available	Not Available
III	13582326	J-35616-35 (VT)	J-38125-553	8100-4444	Sumitomo 22	2	A
IV	19366999	J-35616-35 (VT)	J-38125-553	8100-4443	Sumitomo 22	E	A

K9 Body Control Module X5

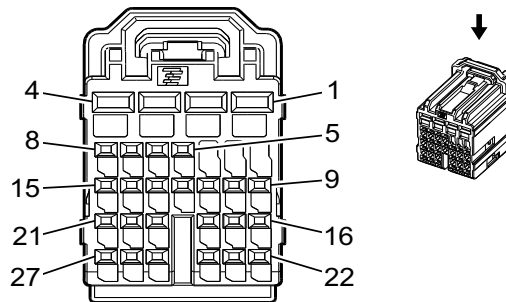
Pin	Size	Color	Circuit	Function	Terminal Type ID	Option
1	1	YE/D-BU	18	Left Rear Stop/Turn Lamp Control	III	—
2	0.35	BU/WH	1314	Left Front Turn Signal Lamp Control	I	—
3	0.5	RD/L-GN	5140	Battery Positive Voltage	IV	—
4	0.5	RD/WH	3440	Battery Positive Voltage	IV	—
5	—	—	—	Not Occupied	—	—
6	0.35	BK/VT	5077	Current Sensor Low Reference	II	—
7	0.35	BU/BN	7539	Right Front DRL Control	II	—
8	0.5	BU/WH	5186	Left Trailer Turn Signal Lamp Control	II	—
9	0.35	BU/VT	7729	Major Endgate Low Relay Control	II	—
10	0.5	BN/WH	1317	Fog Lamp Relay Control	II	—
11	0.35	WH/L-GN	7728	Major Endgate High Relay Control	II	—
12	0.35	WH/D-BU	6311	Cruise/ETC/TCC Brake Signal	II	—
13	0.35	YE	6812	Out of Park Signal	II	—
14	0.35	VT/BN	300	Run Ignition 3 Voltage	II	—
15	0.35	BU/GY	4672	Dome Lamp Off Indicator Control	II	—
16	—	—	—	Not Occupied	—	—

7-212 Electrical Component and Inline Harness Connector End Views

K9 Body Control Module X5 (cont'd)

Pin	Size	Color	Circuit	Function	Terminal Type ID	Option
17	0.5	YE/GY	5187	Right Trailer Turn Signal Lamp Control	II	—
18	0.35	BN/VT	1969	Headlamp High Beam Relay Control	II	—
19	0.35	BN/WH	28	Horn Relay Control	II	—
20	0.35	YE	7755	AC Power Outlet Status Indicator Control	II	—
21	0.5	YE/BN	2229	Left Headlamp Relay Control	II	—
22	0.35	BU	45	Park Lamp Relay Control	II	—
23	0.5	L-GN/YE	2081	Exhaust Brake Switch Control	II	—
24	0.35	WH/VT	860	Front Windshield Wiper Switch High Signal	II	—
25	0.35	BN	7754	AC Power Outlet Enable	II	—
26	0.35	BU/BN	38	Backup Lamp Relay Control	II	—

K9 Body Control Module X6



2537272

Connector Part Information

Harness Type: Body
 OEM Connector: 13826917
 Service Connector: 13576035
 Description: 27-Way F 0.64, 2.8 Series (PK)

Terminal Part Information

Terminal Type ID	Terminated Lead	Diagnostic Test Probe	Terminal Removal Tool	Service Terminal	Tray Name	Core Crimp	Insulation Crimp
I	13575578	J-35616-35 (VT)	J-38125-553	8100-4445	Sumitomo 22	F	D
II	13582297	J-35616-64B (LT BU)	J-38125-215A	Not Available	Not Available	Not Available	Not Available
III	13582298	J-35616-64B (LT BU)	J-38125-215A	Not Available	Not Available	Not Available	Not Available
IV	13582326	J-35616-35 (VT)	J-38125-553	8100-4444	Sumitomo 22	2	A

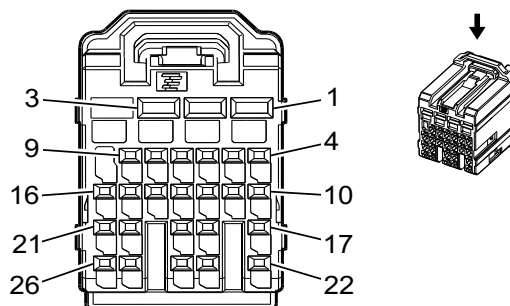
K9 Body Control Module X6

Pin	Size	Color	Circuit	Function	Terminal Type ID	Option
1	0.75	GY	5911	Door Lock Actuator Lock Control 2	IV	—

K9 Body Control Module X6 (cont'd)

Pin	Size	Color	Circuit	Function	Terminal Type ID	Option
2	0.75	GY	295	Door Lock Actuator Lock Control	IV	—
3	2.5	BK	1150	Ground	I	—
4	0.75	BN/YE	294	Door Lock Actuator Unlock Control	IV	—
5	0.35	BN	7291	Major Endgate Release Switch Signal Interior	II	—
6	0.35	BU/VT	1124	Door Lock Key Switch Unlock Signal	II	—
7	0.35	WH/GY	7297	Minor Endgate High Relay Control	II	—
8	—	—	—	Not Occupied	—	—
9	0.35	L-GN/ D-BU	6133	Local Interconnect Network Serial Data Bus 2	II	—
10	0.35	L-GN/YE	6134	Local Interconnect Network Serial Data Bus 3	III	—
11	—	—	—	Not Occupied	—	—
12	0.35	YE/BK	5356	Left Tail Lamp Outage Detection Signal	II	—
13	0.35	L-GN/WH	3438	Exhaust Brake Switch Signal	II	—
14	0.35	GY	7292	Major Endgate Release Switch Signal Exterior	II	—
15	0.35	YE	7294	Minor Endgate Release Switch Discrete Signal Exterior	II	—
16	0.5	L-GN/BN	6132	Local Interconnect Network Serial Data Bus 1	II	—
17 - 20	—	—	—	Not Occupied	—	—
21	0.35	WH/VT	6821	Surveillance Switch Signal	II	—
22	0.35	VT/YE	5357	Right Tail Lamp Outage Detection Signal	II	—
23	—	—	—	Not Occupied	—	—
24	0.5	BU	2500	High Speed GMLAN Serial Data (+) 1	II	—
25	0.5	WH	2501	High Speed GMLAN Serial Data (-) 1	II	—
26	0.35	BN/WH	1429	Standing Lamp Relay Control	II	—
27	0.35	BN/WH	781	Driver Door Lock Switch Unlock Signal	II	—

K9 Body Control Module X7



2537273

Connector Part Information

Harness Type: Body
 OEM Connector: 13826915
 Service Connector: 13576036
 Description: 26-Way F 0.64, 2.8 Series (GY)

7-214 Electrical Component and Inline Harness Connector End Views

Terminal Part Information

Terminal Type ID	Terminated Lead	Diagnostic Test Probe	Terminal Removal Tool	Service Terminal	Tray Name	Core Crimp	Insulation Crimp
I	13582297	J-35616-64B (LT BU)	J-38125-215A	Not Available	Not Available	Not Available	Not Available
II	13582326	J-35616-35 (VT)	J-38125-553	8100-4444	Sumitomo 22	E	A
III	19366999	J-35616-35 (VT)	J-38125-553	8100-4443	Sumitomo 22	E	A

K9 Body Control Module X7

Pin	Size	Color	Circuit	Function	Terminal Type ID	Option
1 - 2	—	—	—	Not Occupied	—	—
3	0.5	WH/BN	6815	Inadvertent Power Control	III	—
	0.5	WH/BN	6815	Inadvertent Power Control	II	—
4	0.5	GY/BU	7762	Cargo Bed Lamp Control	I	—
5	0.35	BU	2082	Puddle Lamp Control	I	—
6	0.35	YE/WH	816	Brake Transmission Shift Interlock Solenoid Control	I	—
7	0.35	GY/BU	7298	Minor Endgate Low Relay Control	I	—
8	0.35	GY/GN	5996	Driver Outside Rear View Mirror Puddle Lamp Control	I	—
9	0.35	YE	6817	LED Backlight Dimming Control	I	—
10	—	—	—	Not Occupied	—	—
11	0.35	BN/YE	780	Driver Door Lock Switch Lock Signal	I	—
12	0.35	BN	4511	Wireless Charging System Fault Indicator Control	I	—
13	0.35	GN/WH	1932	Shift Select Switch Park Signal	I	—
14	0.35	WH/YE	7545	Right Front Turn Lamp Feedback Signal	I	—
15	0.35	BU/GY	553	Shift Select Switch Performance Signal	I	—
16	0.5	WH/BU	3691	Trailer Brake Apply Signal	I	—
17	0.35	BU	2082	Puddle Lamp Control	I	—
18	—	—	—	Not Occupied	—	—
19	0.35	GY	156	Courtesy Lamp Switch Signal	I	—
20	—	—	—	Not Occupied	—	—
21	0.35	YE/VT	244	Passenger Door Lock Switch Lock Control	I	—
22	0.35	WH/YE	7557	LED Ambient Lighting Control 1	I	—
23	—	—	—	Not Occupied	—	—
24	0.35	BN/VT	245	Passenger Door Lock Switch Unlock Control	I	—
25	0.35	VT/BK	6568	Front Turn Lamp Feedback Signal	I	—
26	—	—	—	Not Occupied	—	—