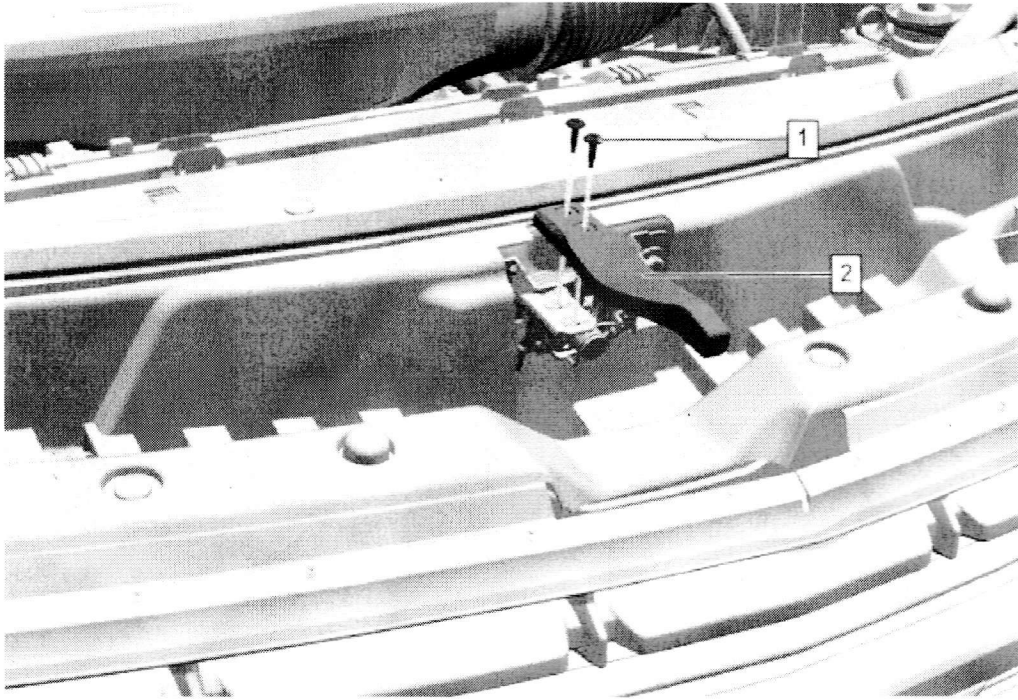
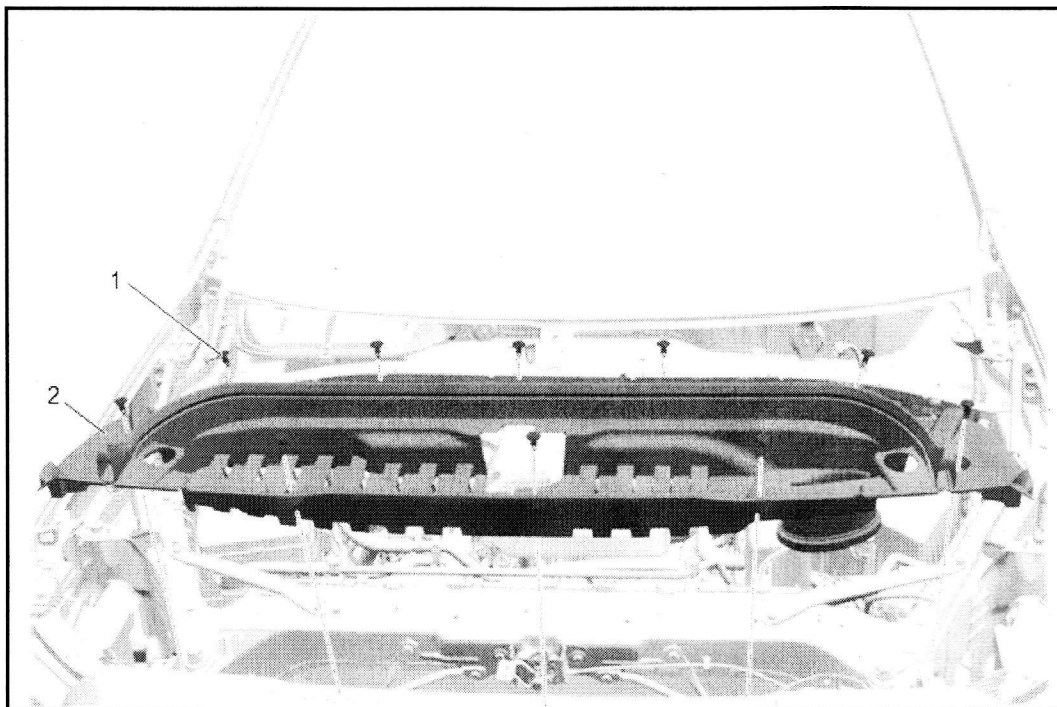


Front Bumper Lower Shutter Replacement

Removal Procedure

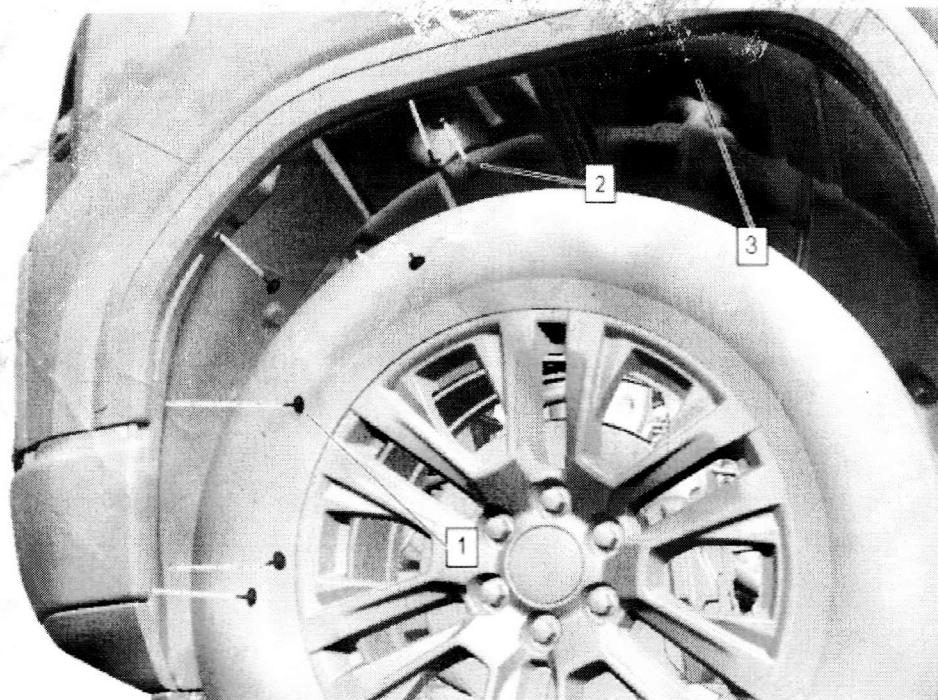


1. Hood Latch Actuator Bolt (1) » Remove [2x]
2. Hood Secondary Latch Release Handle (2) » Remove

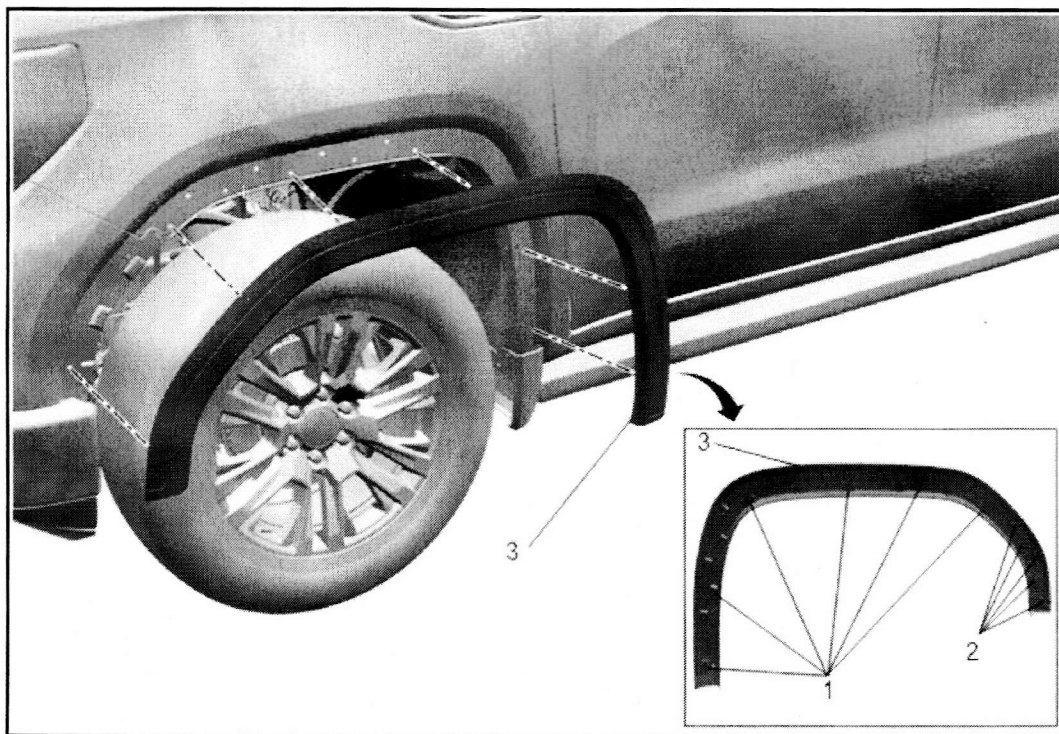


3. Intake Air Baffle Retainer (1) » Remove [10x]

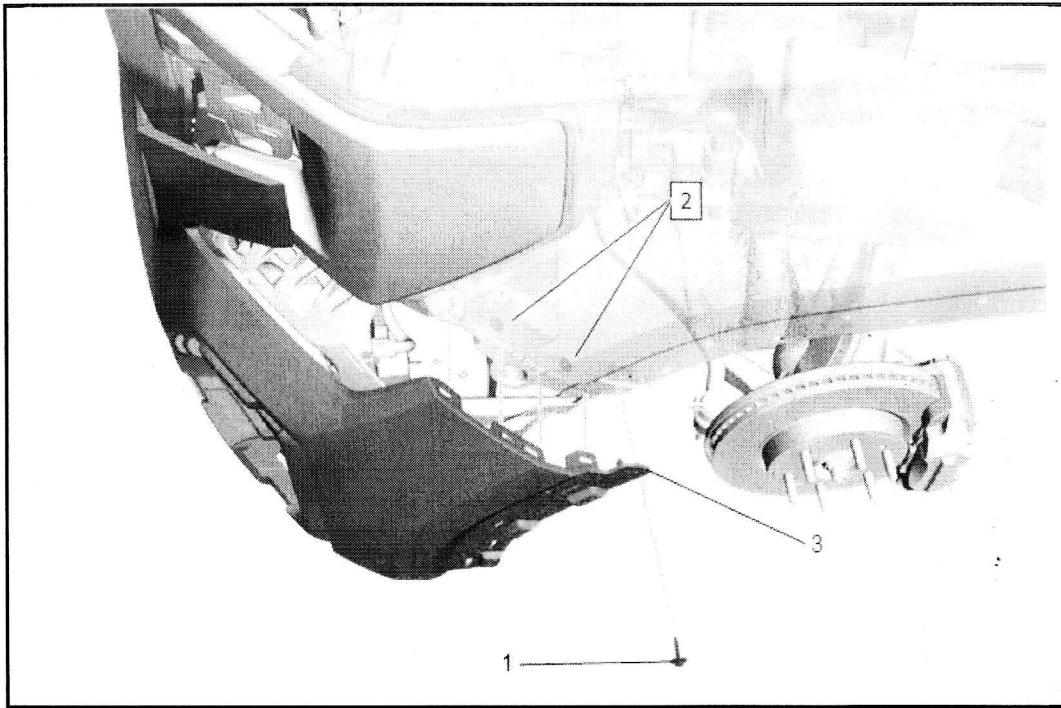
© 2022 General Motors. All rights reserved.



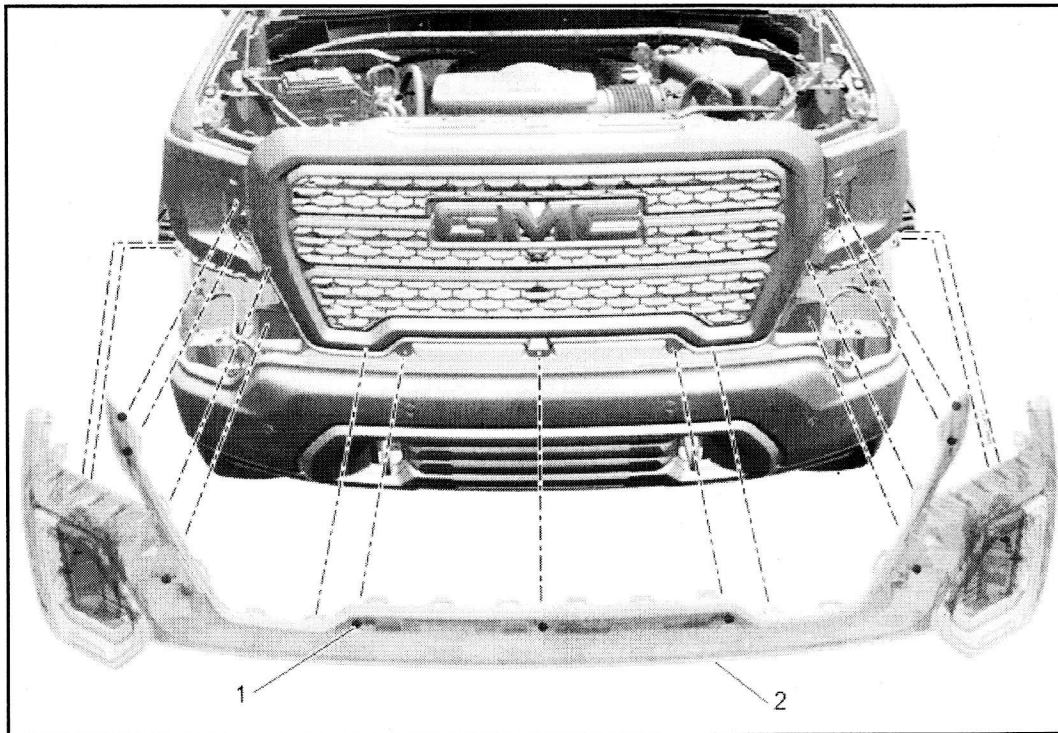
- 5. Front Wheelhouse Liner Bolt - Left Side and Right Side (1) » Remove [12x]
- 6. Front Wheelhouse Liner Retainer - Left Side and Right Side (2) » Remove [2x]
- 7. Front Wheelhouse Liner - Left Side and Right Side (3) » Reposition [2x]



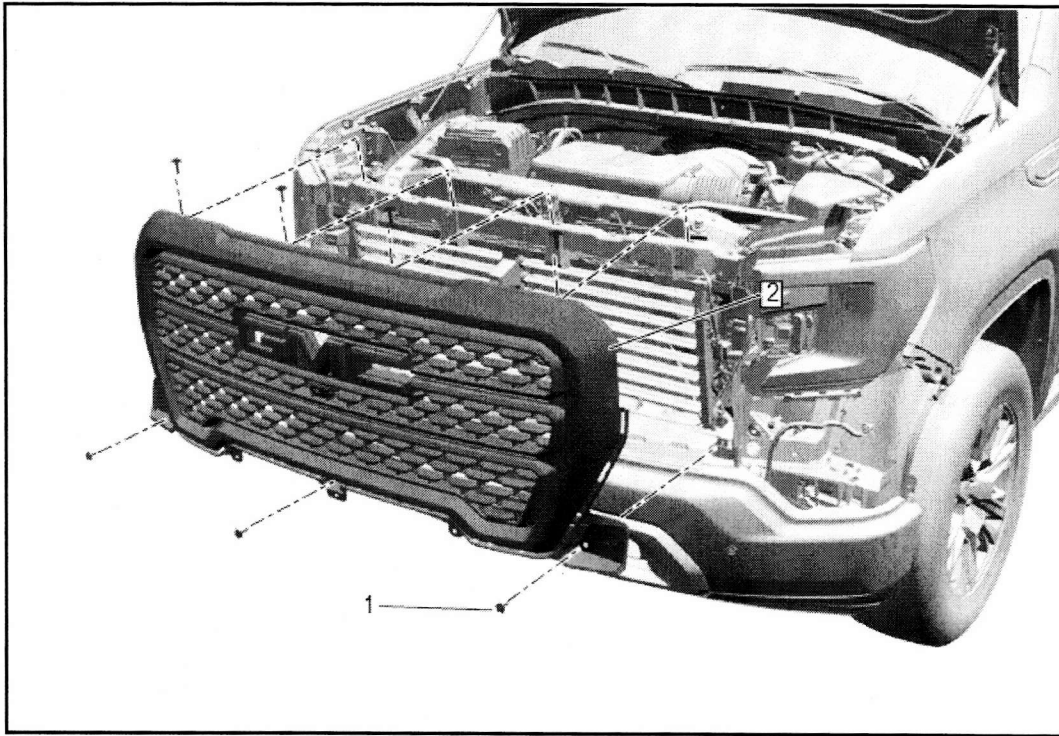
- 8. Apply a double layer of masking tape around the perimeter of the painted surfaces.
- 9. Front Wheel Opening Molding Retainer - Left Side and Right Side (1) » Disengage [34x]
- 10. Front Wheel Opening Molding Clip - Left Side and Right Side (2) » Disengage [10x]
- 11. Front Wheel Opening Molding - Left Side and Right Side (3) » Remove



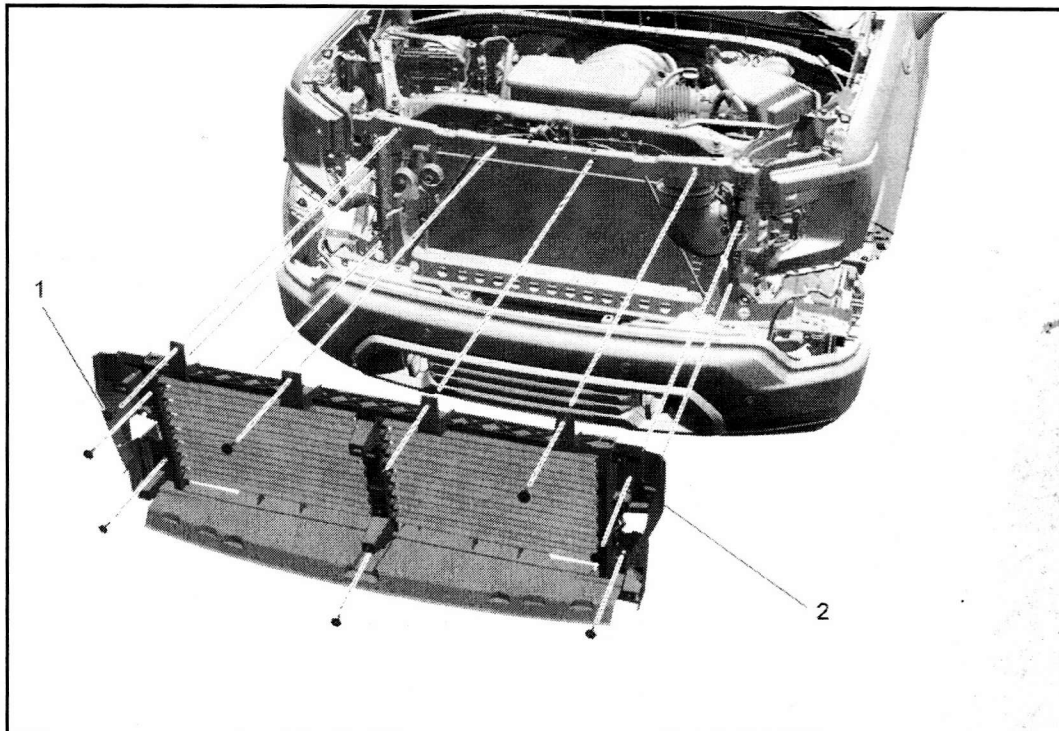
12. Front Bumper Fascia Bolt - Left Side and Right Side (1) » Remove [2x]
13. Loosen the 2 left and right side front bumper fascia guide bolts (2) from inside the wheelhouse liner opening.
14. Carefully push a small nylon wedge between the fascia (3) and the fascia guide. Insert a small flat-bladed tool into the fascia slot and depress the snaps one at a time and pull on the fascia at the same time to gradually remove the fascia.



15. Using a trim type tool, release the 13 retainers (1) and release the tabs.
16. With the aid of an assistant remove the fascia.(2)
17. Disconnect all electrical connectors.

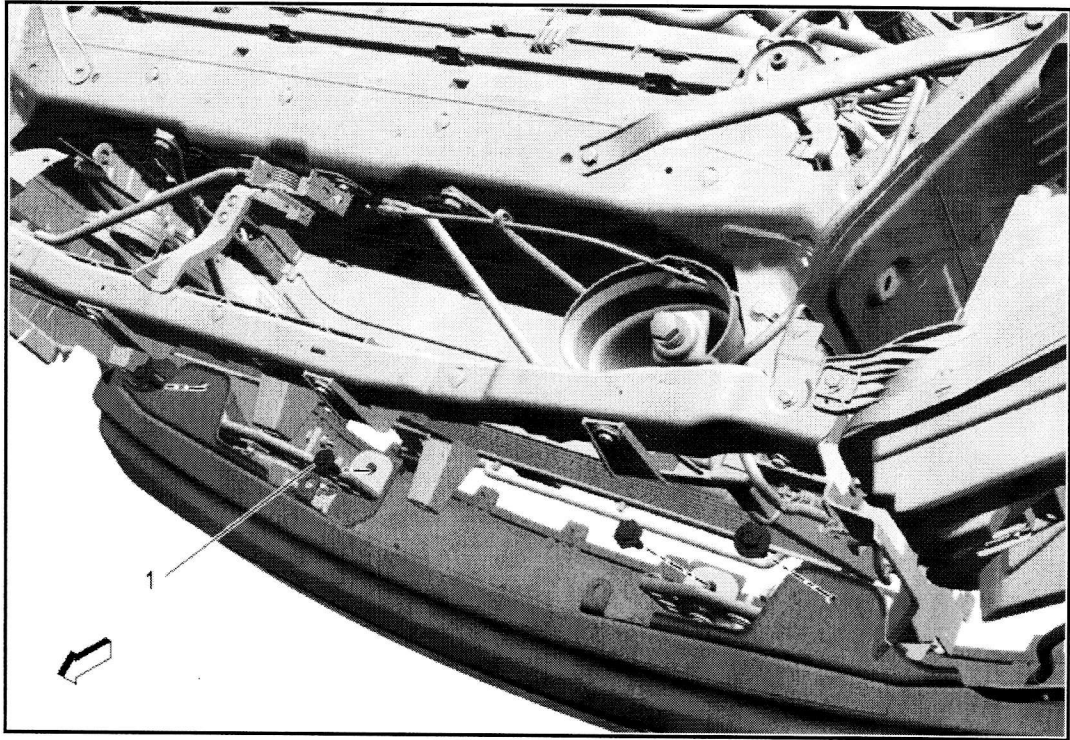


18. Front Grille Bolt (1) » Remove [7x]
19. { If equipped } Disconnect the electrical connector.
20. Front Grille (2) » Remove

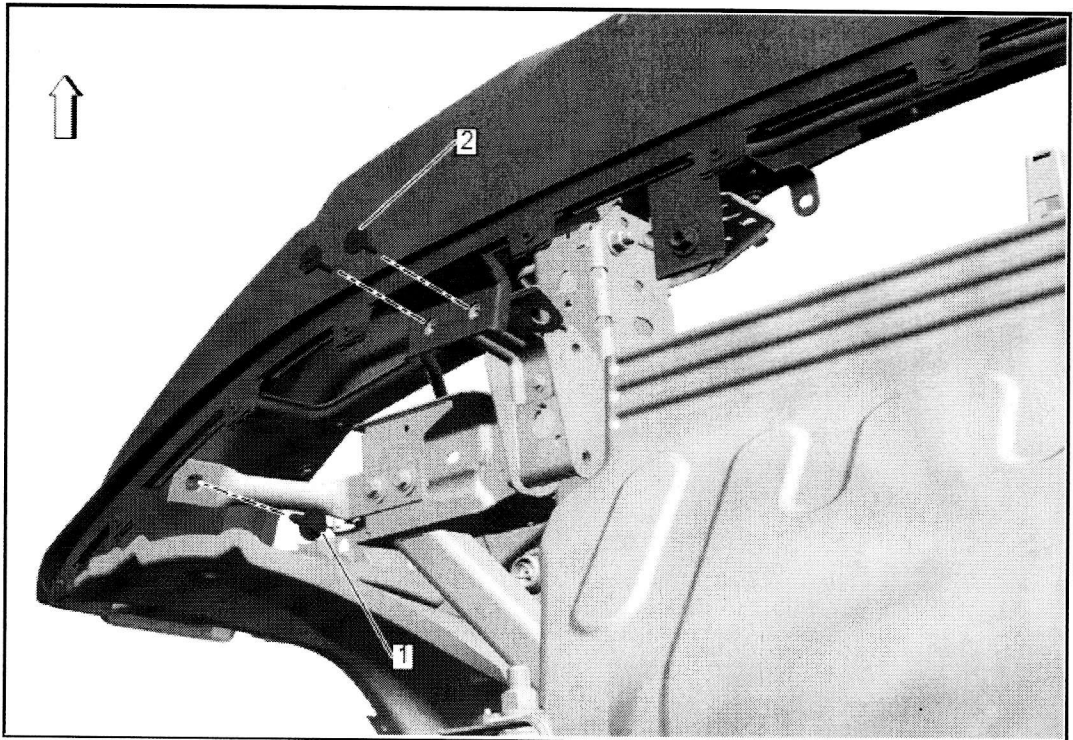


21. Front Bumper Shutter Bolt (1) » Remove [9x]
22. Disconnect the electrical connectors and release the wiring harness retainers as necessary.
23. Front Bumper Shutter (2) » Remove

© 2022 General Motors. All rights reserved.



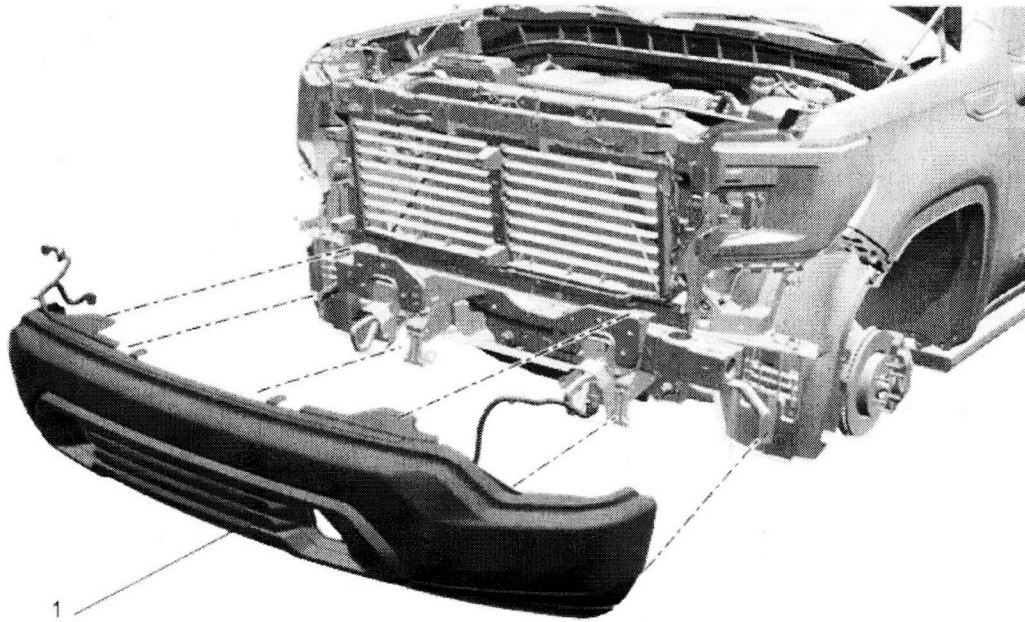
24. Front Bumper Impact Bar Bolt (1) » Remove [4x]



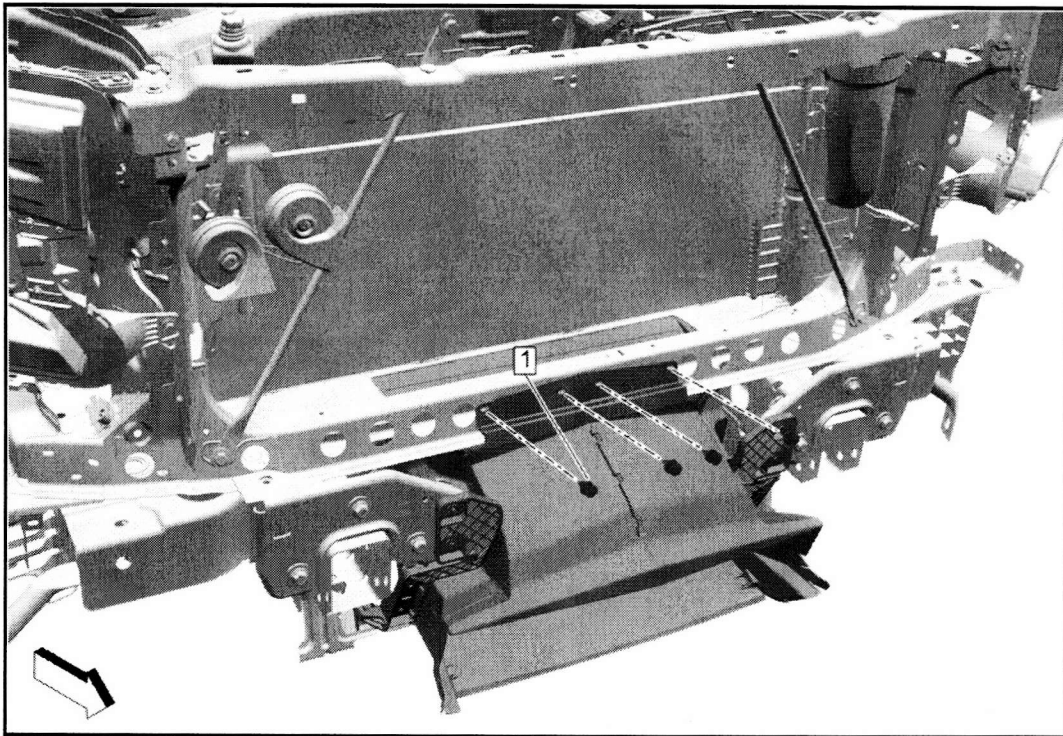
Note: Right side shown, left side similar.

25. Remove the left hand and right hand front bumper fascia support brace bolts. (1)

26. Remove the 2 left hand and right hand lower front bumper fascia center support bolts (2).



27. Front Bumper Impact Bar (1) » Remove
 28. { If equipped } Disconnect the electrical connectors.



29. Radiator Air Lower Baffle Retainer (1) » Remove [4x]
 30. Disconnect the wiring harness retainers and reposition the harness as necessary.