

2020 Chevy Truck Silverado 1500 4WD V8-5.3L

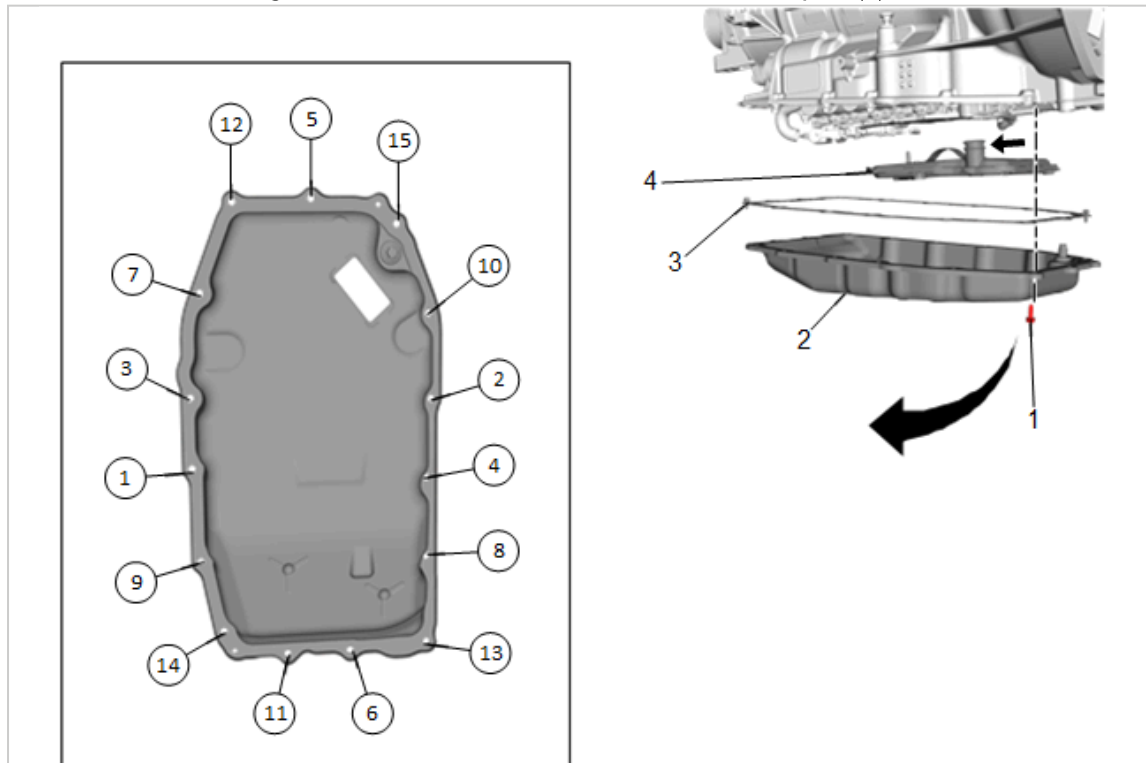
Vehicle > Maintenance > Fluids > Fluid - A/T > Service and Repair > Procedures > 8L90 (MQE) - Automatic Transmission

## AUTOMATIC TRANSMISSION FLUID, FLUID PAN AND/OR FILTER REPLACEMENT

Document ID: 4996981

### Removal Procedure

1. Raise and support the vehicle. Lifting and Jacking the Vehicle
2. Remove the three-way catalytic converter, if necessary. Three-Way Catalytic Converter Replacement
3. Place a suitable drain pan under the automatic transmission.
4. Clean the surrounding area of the automatic transmission fluid pan (2).



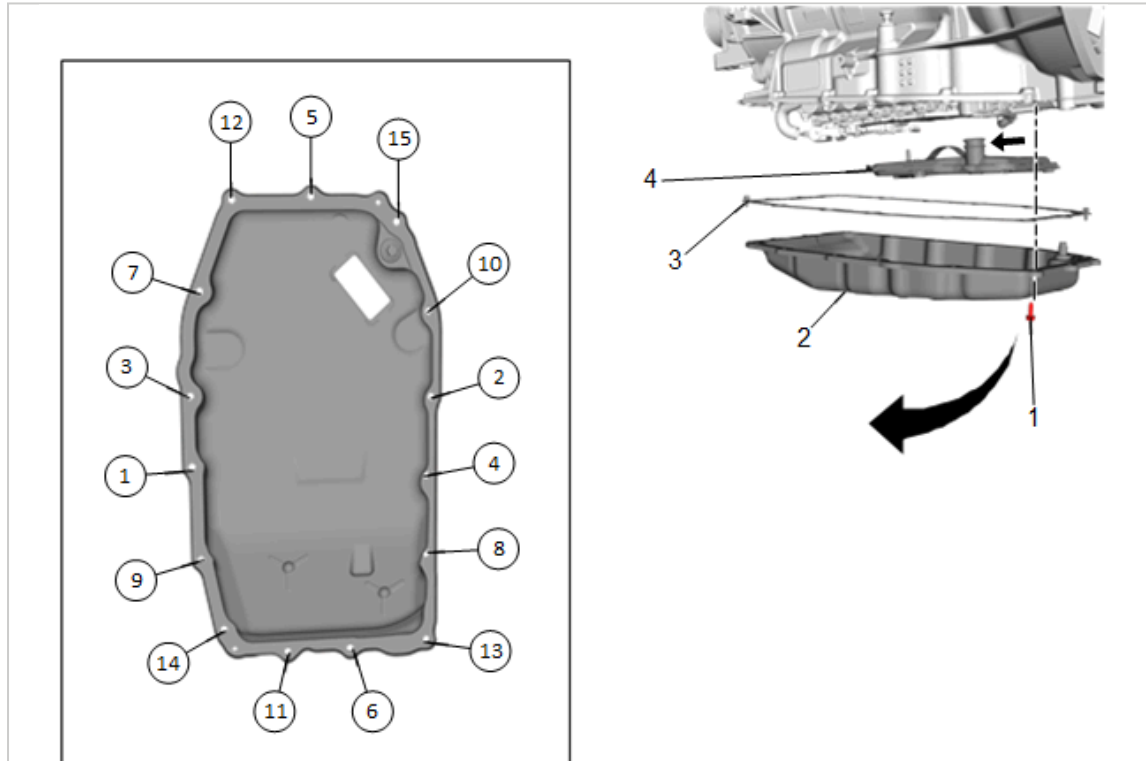
5. Remove the 15 automatic transmission fluid pan bolts (1).
6. Remove the automatic transmission fluid pan (2).
7. Remove the automatic transmission fluid pan gasket (3).
  - Note:** The filter seal is not serviced separately and comes with the NEW filter assembly.
8. Remove the automatic transmission fluid filter (4).

### Installation Procedure

**Note:**

- The filter seal is not serviced separately and comes with the NEW filter assembly.
- Lubricate the filter seal with transmission fluid before installing the filter.

1. Install the automatic transmission fluid filter (4).



**Note:** The fluid pan gasket is reusable. Inspect the gasket to determine if it may be reused. If the gasket is stuck to the case or pan, it should be replaced.

2. Install the automatic transmission fluid pan gasket (3) to the fluid pan.

3. Install the automatic transmission fluid pan (2) to the transmission.

**Caution:** Refer to Fastener Caution.

4. Install the 15 automatic transmission fluid pan bolts (1) and tighten in the sequence shown to **10 Nm (89 lb in)**.

5. Fill the transmission. Transmission Fluid Level and Condition Check

6. Install the three-way catalytic converter, if necessary. Three-Way Catalytic Converter Replacement

7. Lower the vehicle.