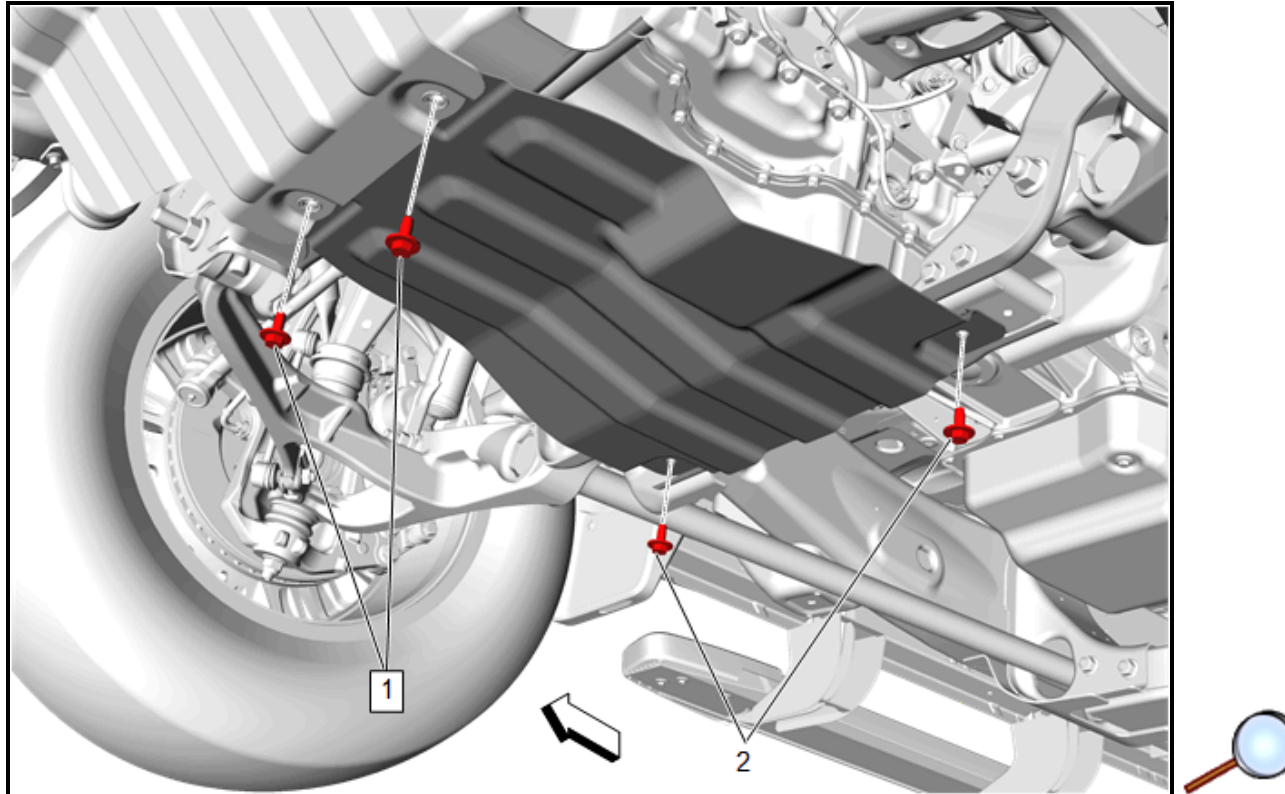


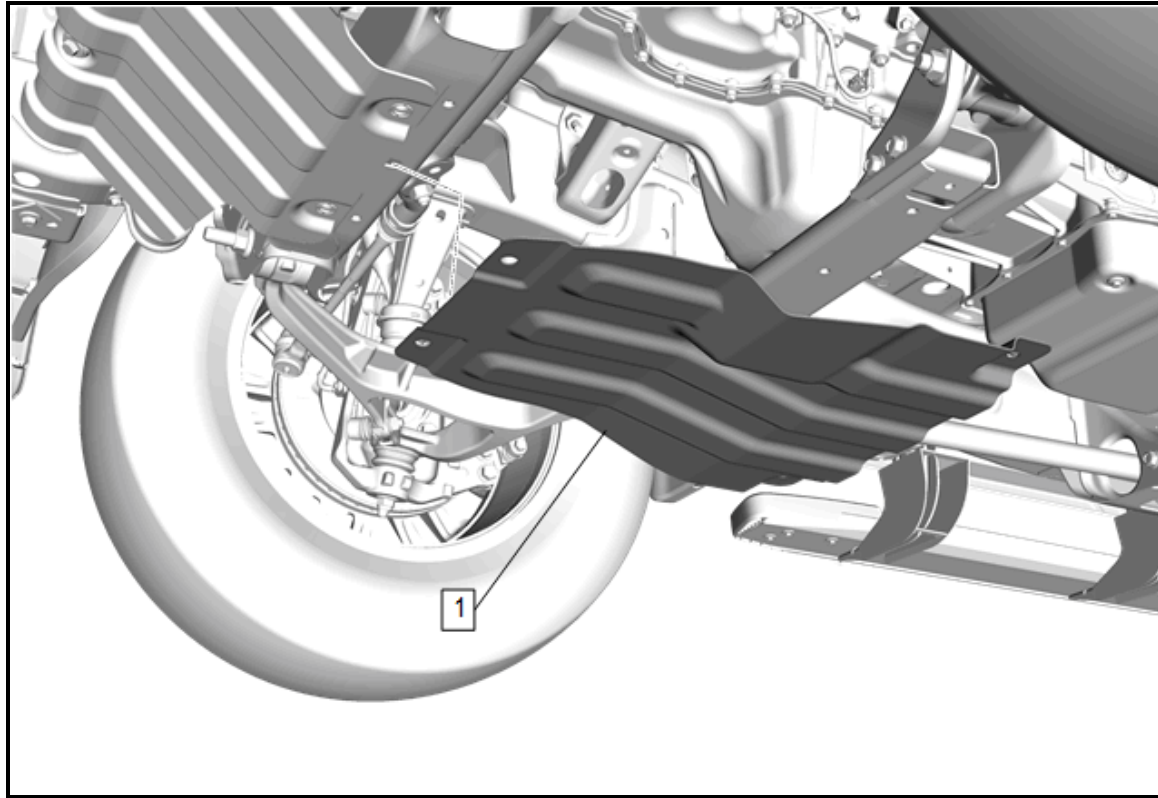
Front Differential Carrier Bracket Replacement - Left Side

Removal Procedure

1. Raise the vehicle. [Lifting and Jacking the Vehicle](#)



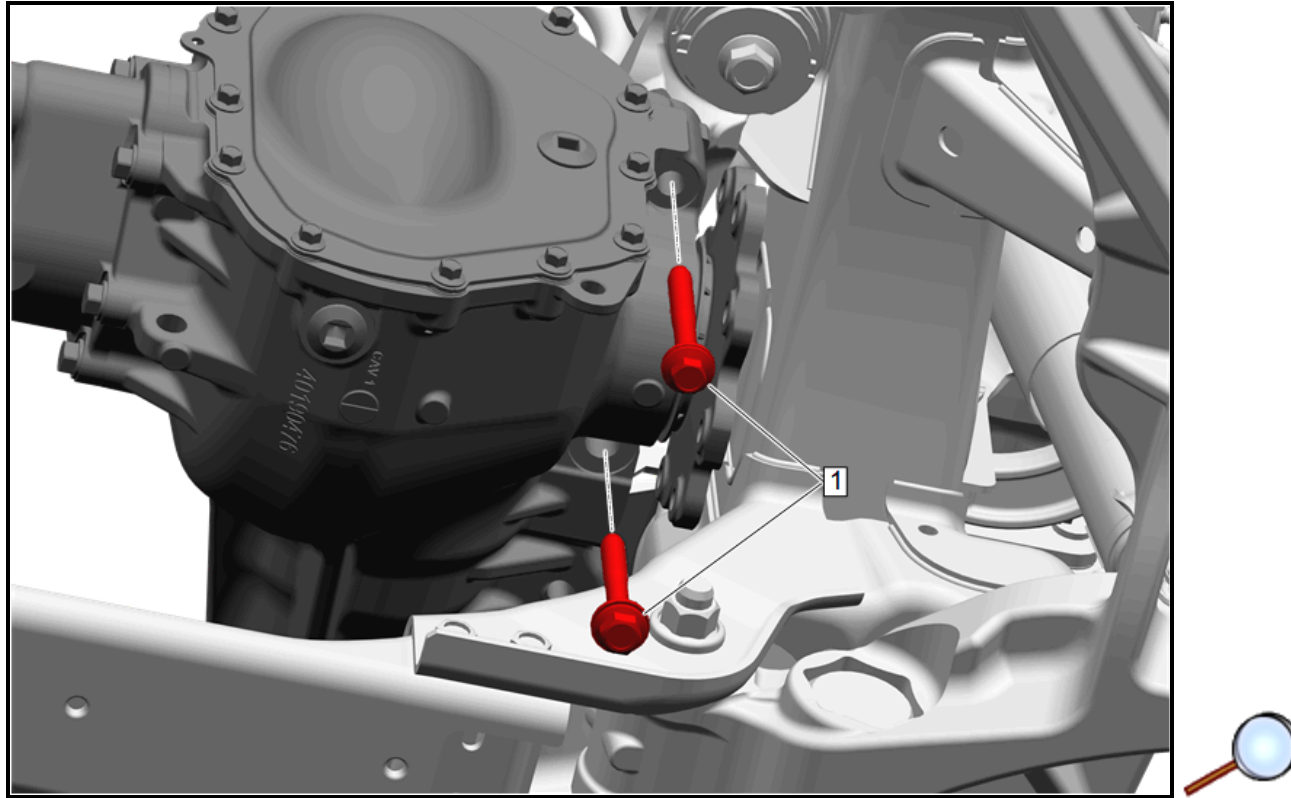
2. { If equipped } Underbody Splash Shield Bolt (1) » Remove [2x]
3. { If equipped } Underbody Skid Shield Bolt (2) » Remove [2x]



4. { If equipped } Underbody Skid Shield (1) » Remove

Note: Ensure that the front axle is securely attached to the hydraulic jack.

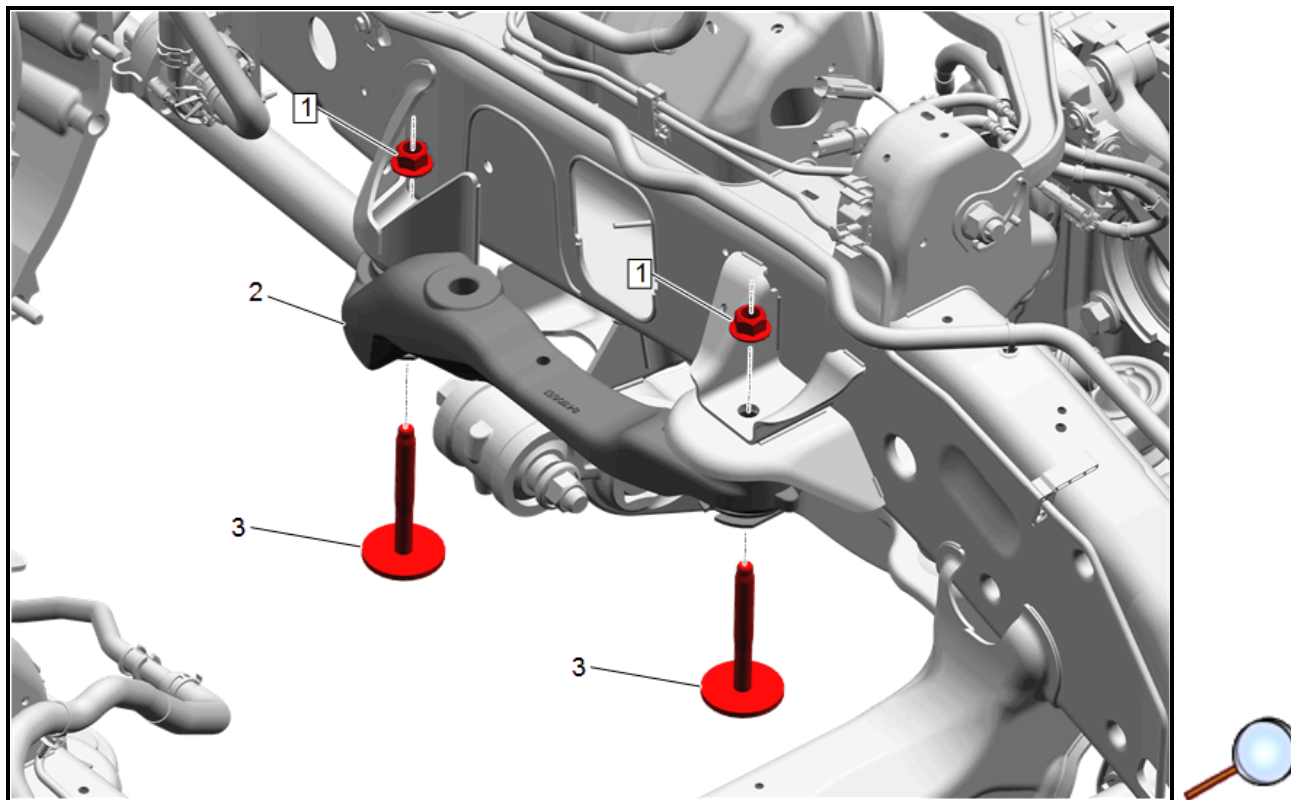
5. Support the front axle assembly with a jack.



© 2024 General Motors. All rights reserved.

Note: Some components not shown for graphic clarity.

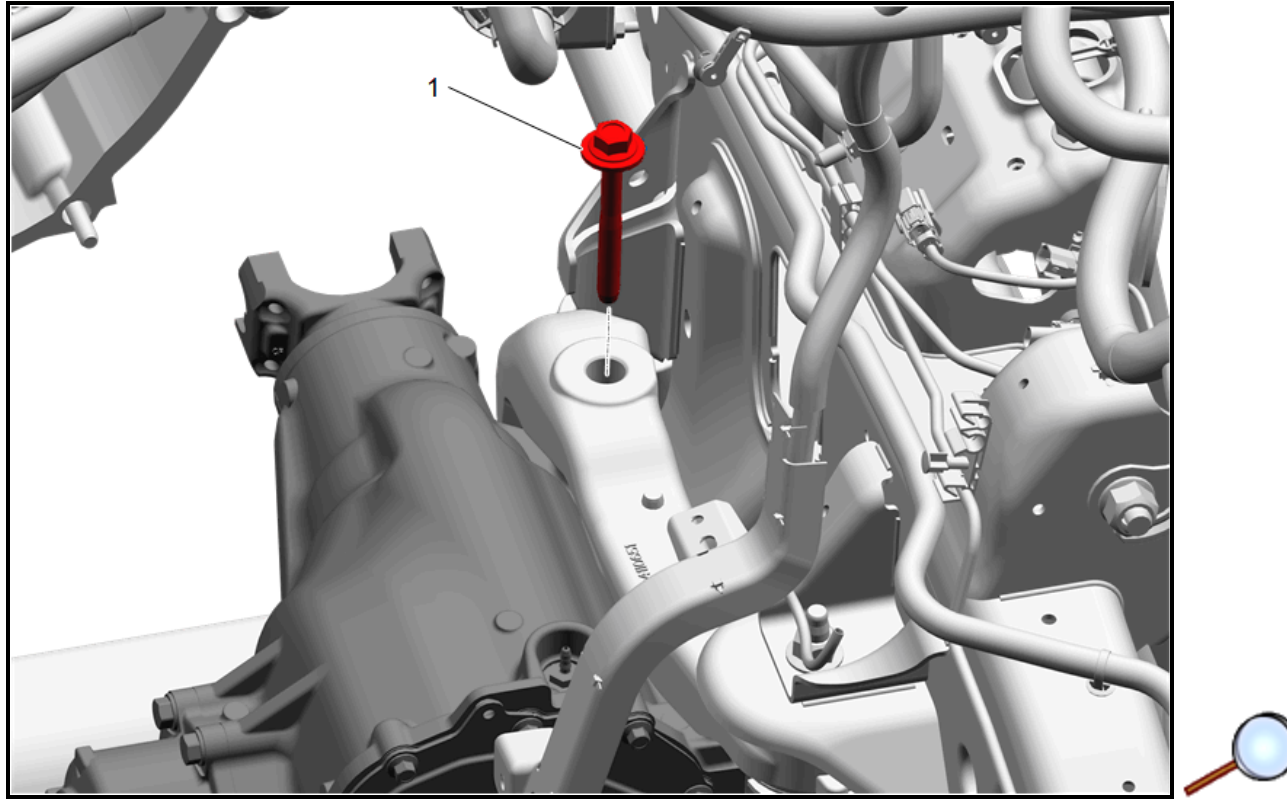
6. Front Differential Carrier Bolt (1) » Remove [2x]



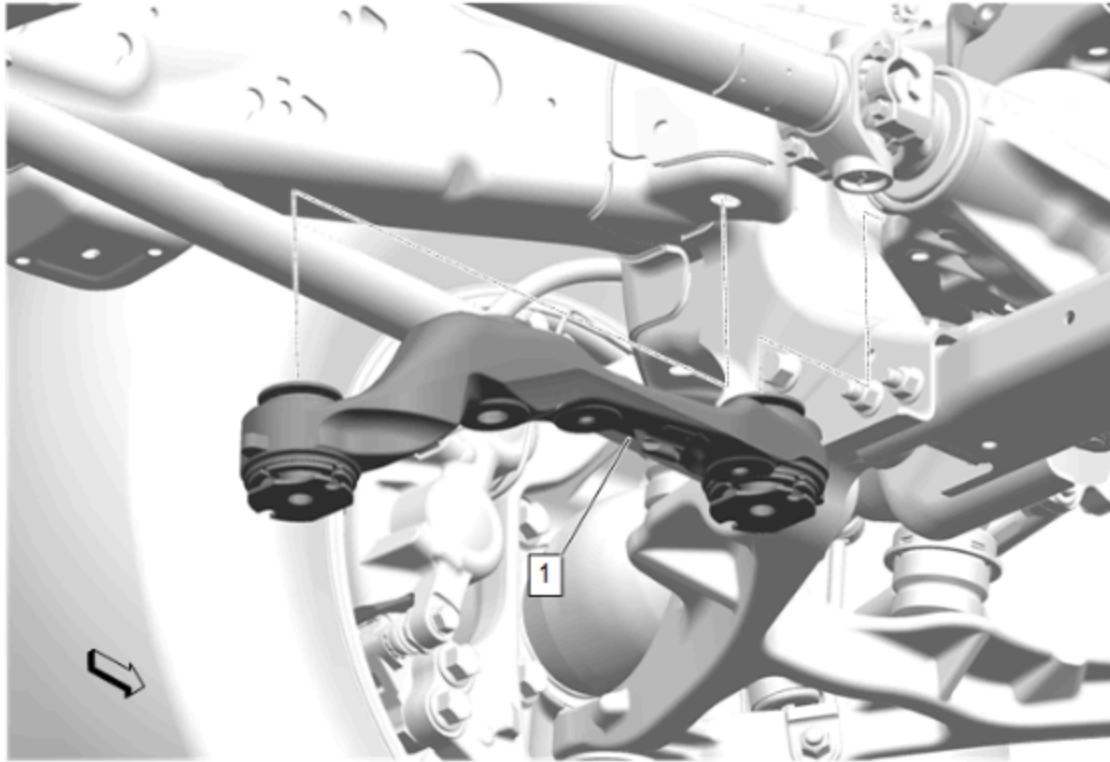
© 2024 General Motors. All rights reserved.

Note: Some components not shown for graphic clarity.

7. Front Differential Carrier Bracket Nut (1) » Remove [2x]
8. Front Differential Carrier Bracket Bolt (3) » Remove [2x]
9. Lower the front axle left side.

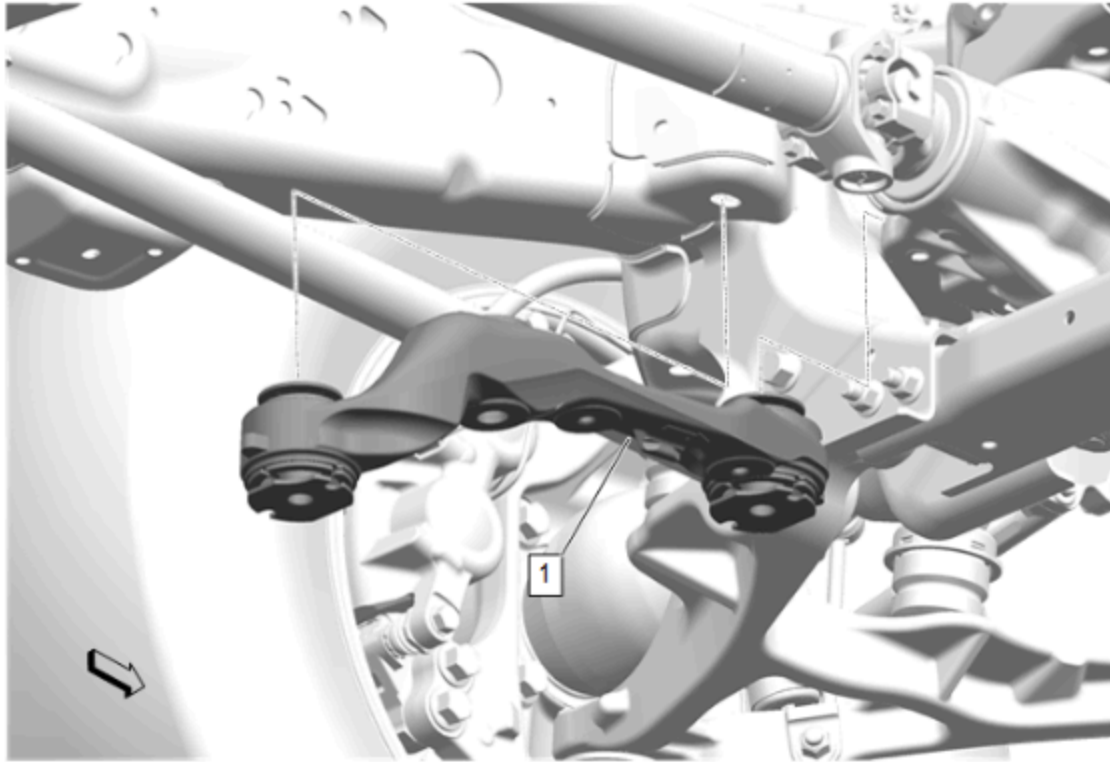


10. Front Differential Carrier Bolt (1) » Remove

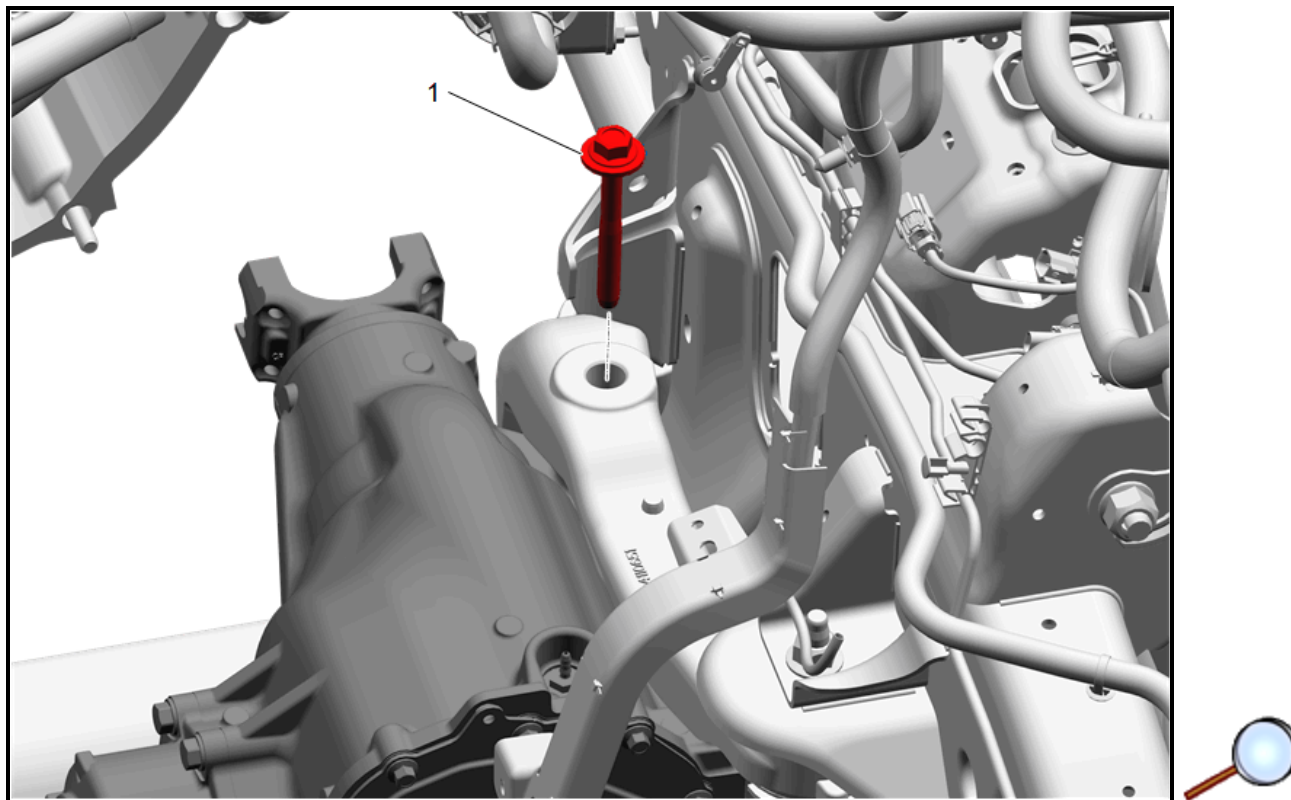


11. Front Differential Carrier Bracket - Left Side (1) » Remove

Installation Procedure

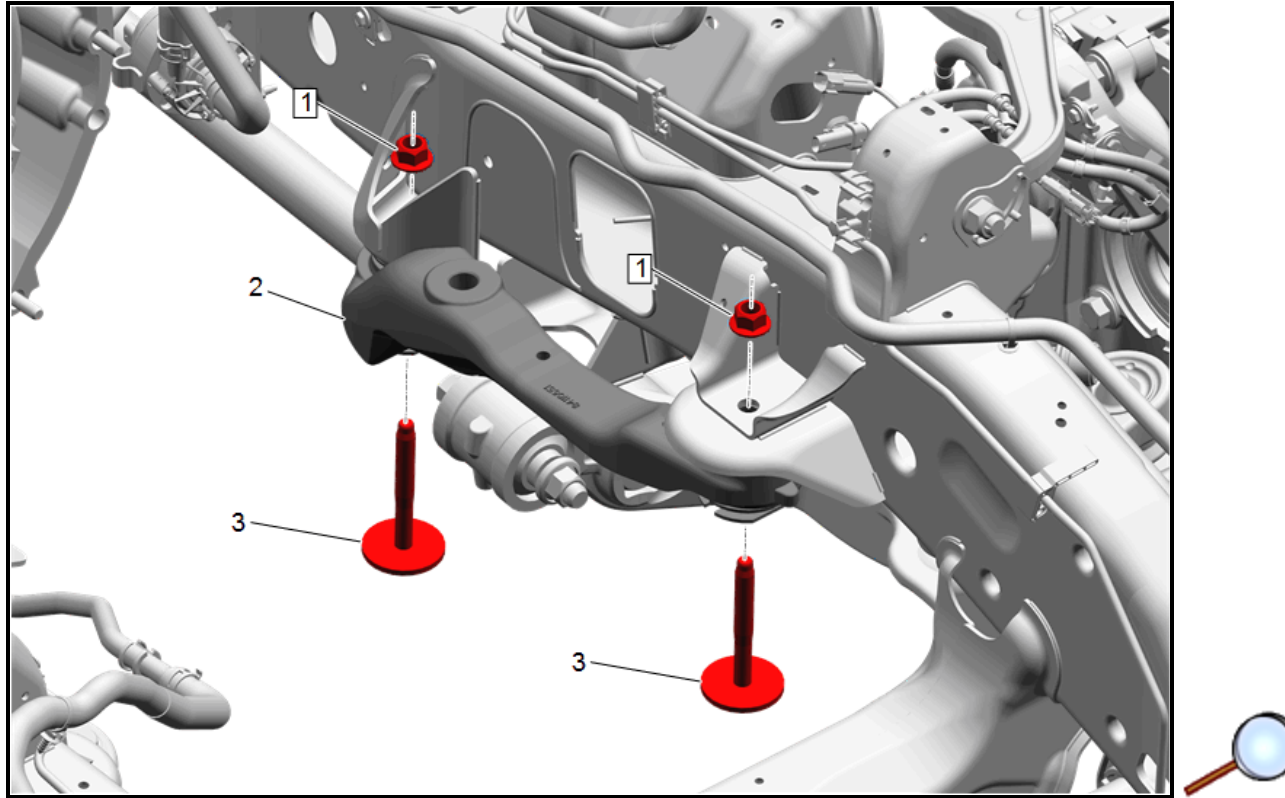


1. Front Differential Carrier Bracket - Left Side (1) » Install



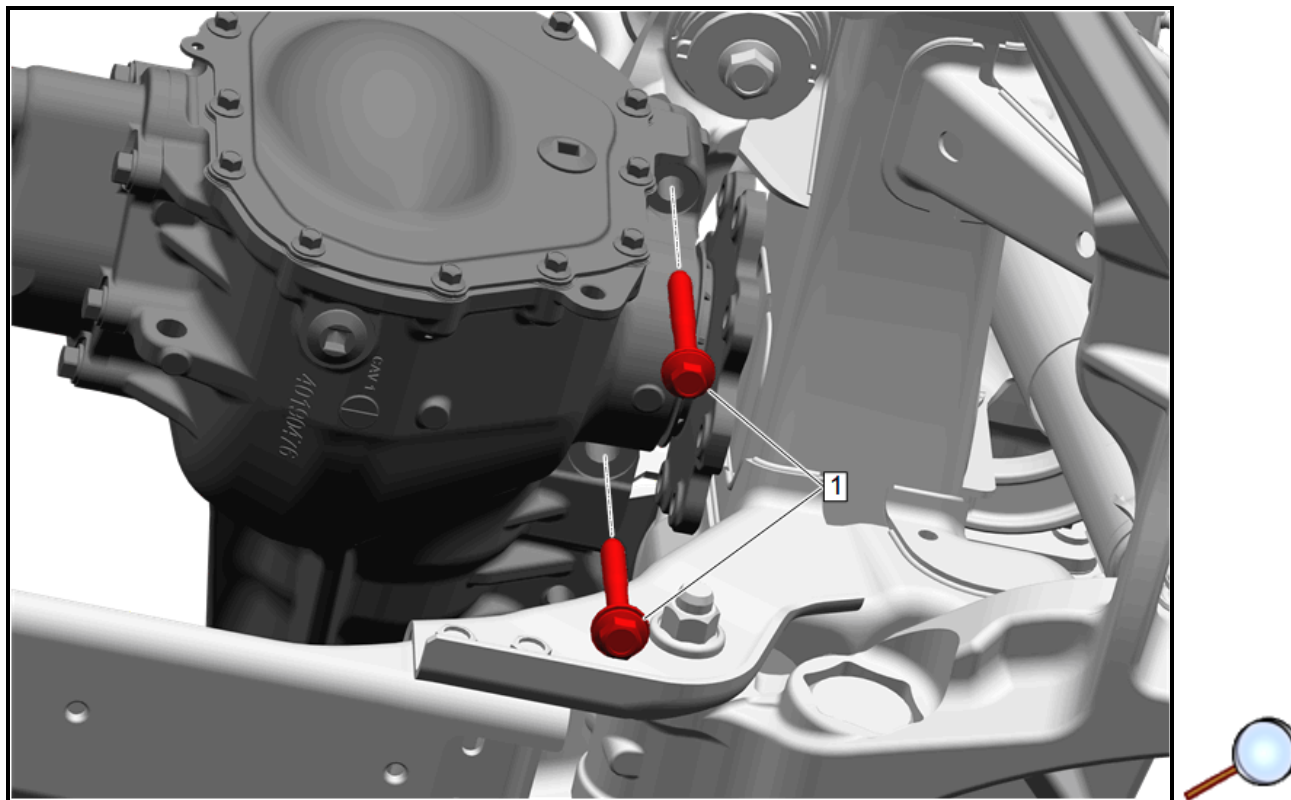
Caution: Refer to [Fastener Caution](#).

2. Front Differential Carrier Bolt (1) » Install and tighten — [Fastener Specifications](#)
3. Raise the front axle assembly into position with a jack.

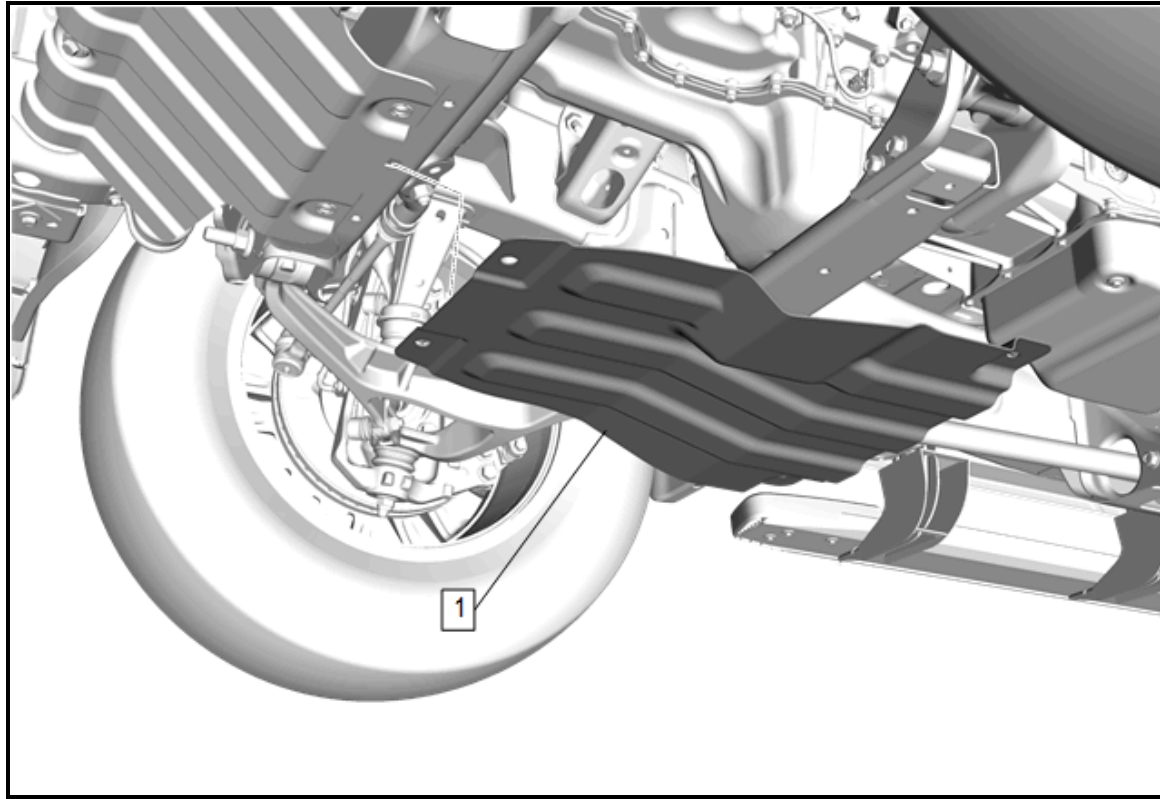


© 2024 General Motors. All rights reserved.

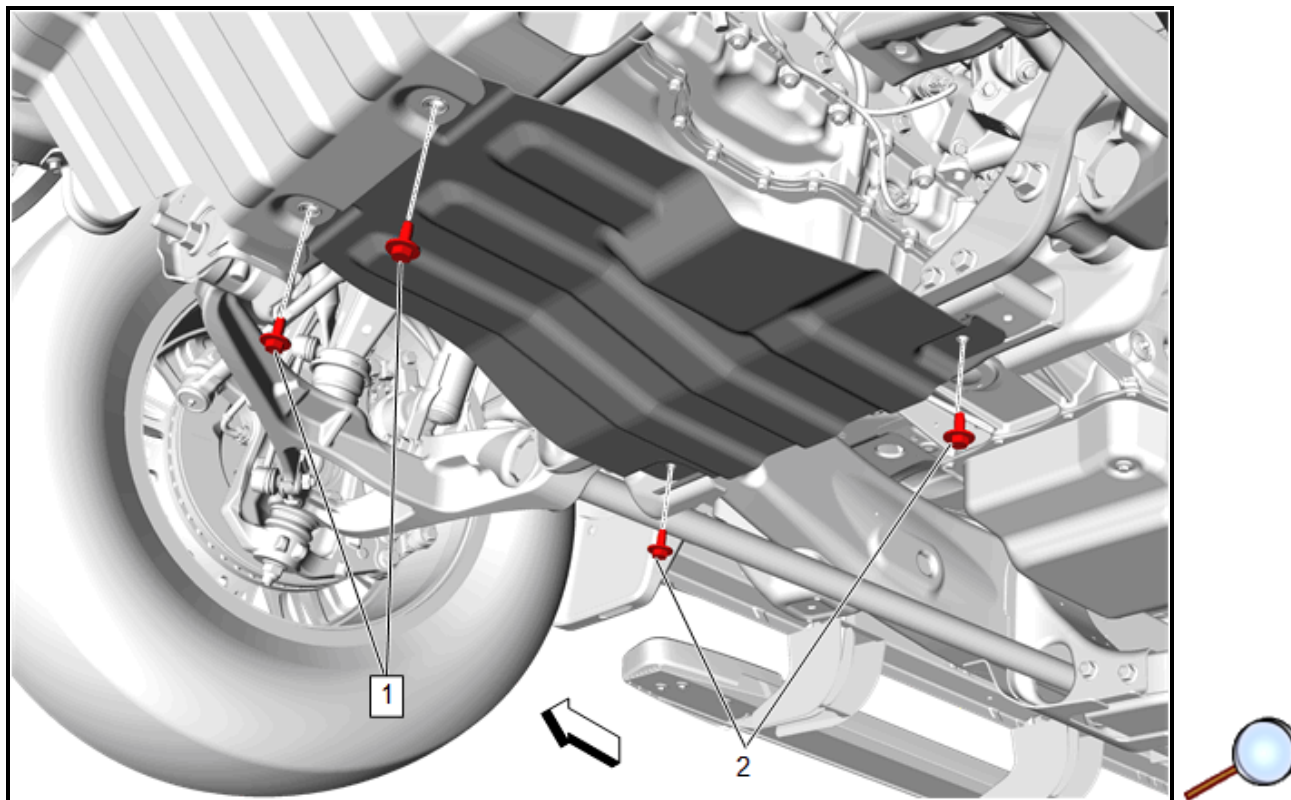
4. Front Differential Carrier Bracket Bolt (3) » Install [2x]
5. Front Differential Carrier Bracket Nut (1) » Install [2x]
6. Front Differential Carrier Bracket Bolt (3) » Tighten [2x] — [Fastener Specifications](#)



7. Front Differential Carrier Bolt (1) » Install and tighten [2x] — [Fastener Specifications](#)
8. Remove the hydraulic jack from under the front axle assembly.



9. { If equipped } Underbody Skid Shield (1) » Install



© 2024 General Motors. All rights reserved.

10. { If equipped } Underbody Skid Shield Bolt (2) » Install and tighten [2x] — [Fastener Specifications](#)
11. { If equipped } Underbody Splash Shield Bolt (1) » Install and tighten [2x] — [Fastener Specifications](#)
12. Lower the vehicle.