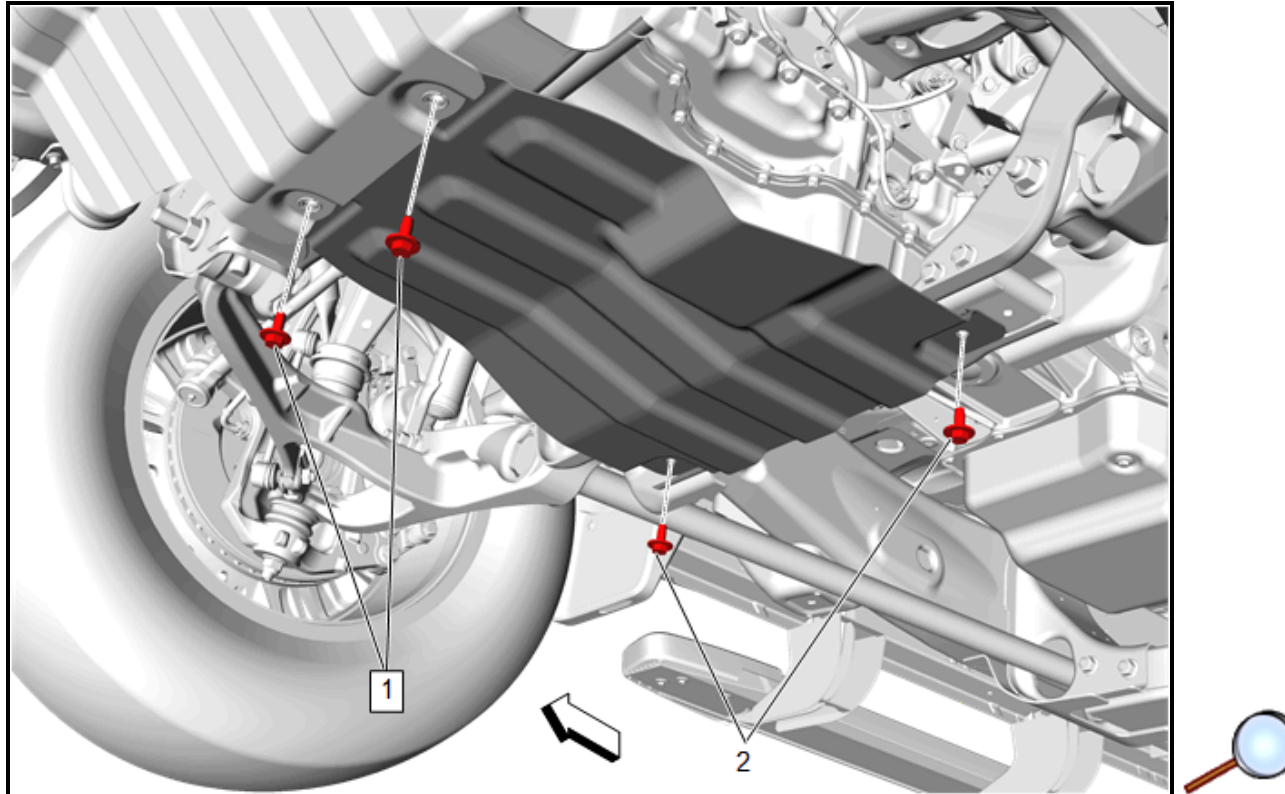


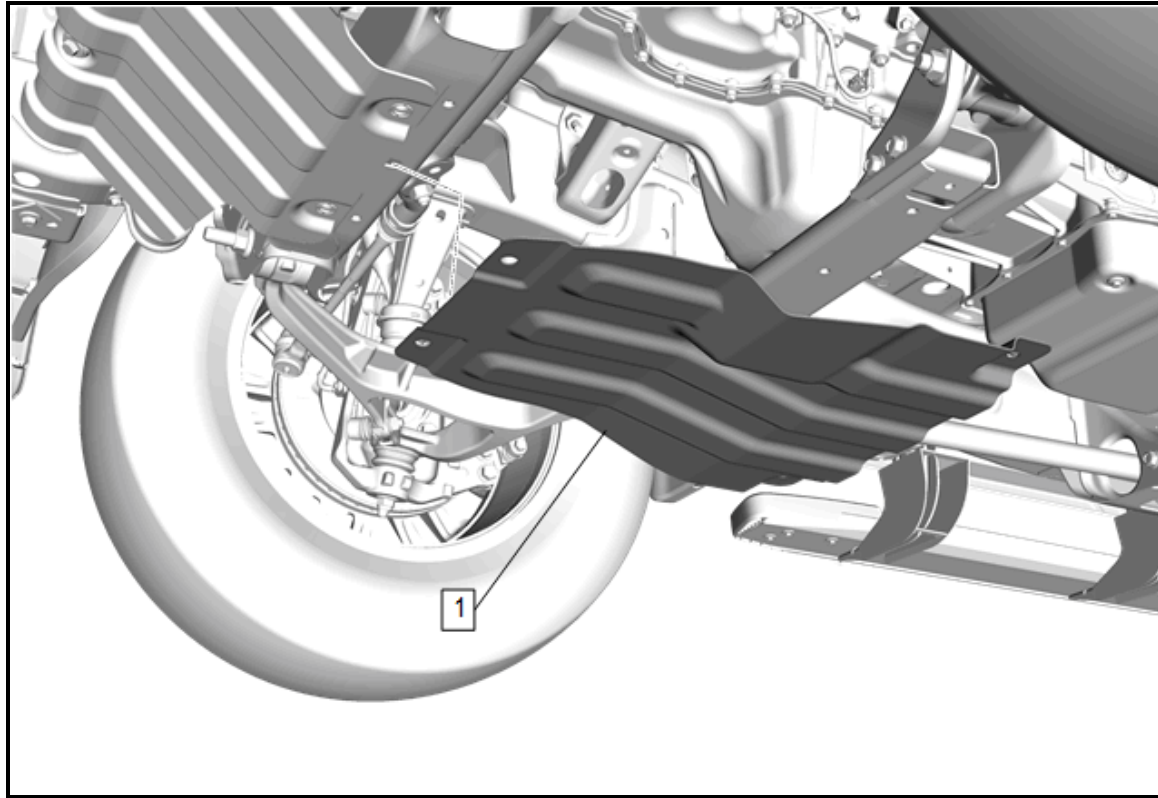
Front Differential Carrier Bracket Replacement - Right Side

Removal Procedure

1. Raise the vehicle. [Lifting and Jacking the Vehicle](#)

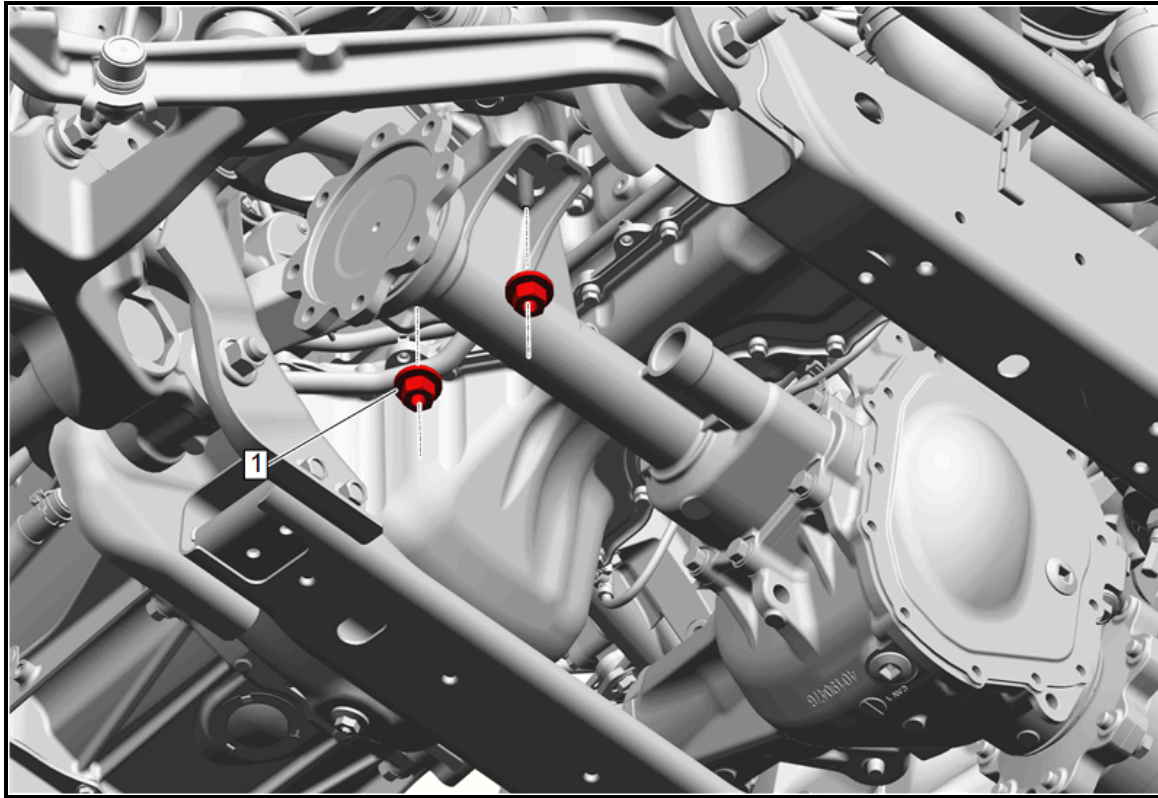


2. { If equipped } Underbody Splash Shield Bolt (1) » Remove [2x]
3. { If equipped } Underbody Skid Shield Bolt (2) » Remove [2x]



© 2024 General Motors. All rights reserved.

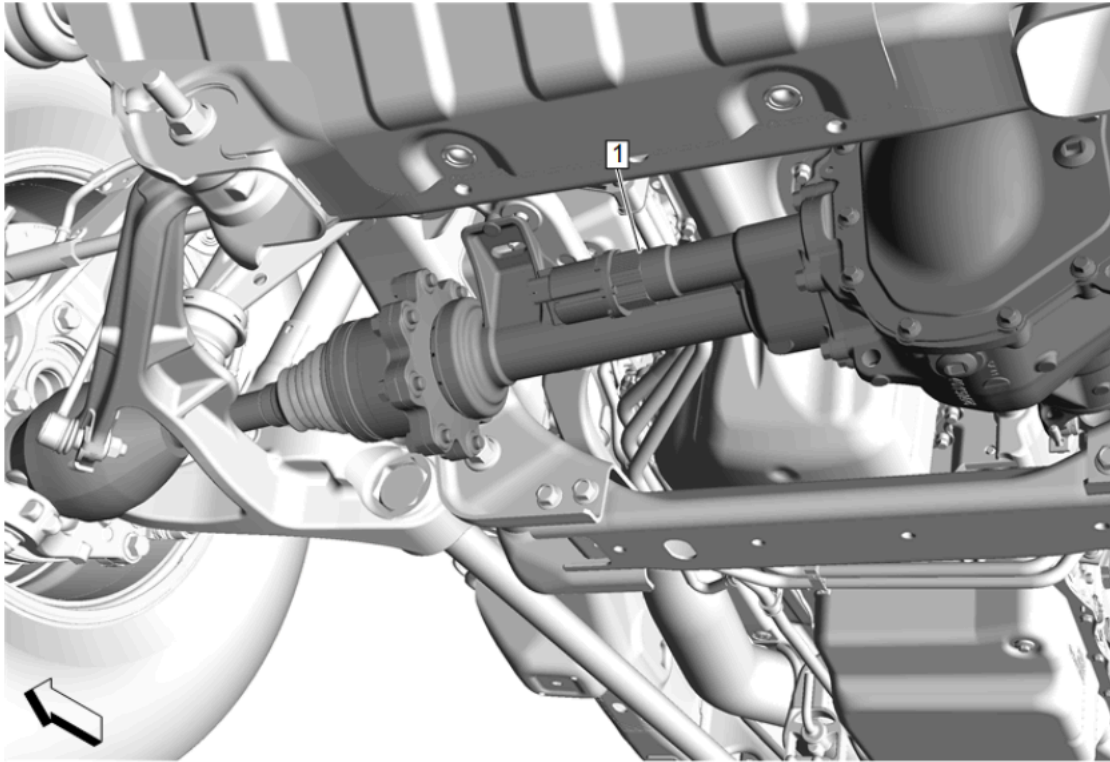
4. { If equipped } Underbody Skid Shield (1) » Remove
5. Support the front axle assembly with a jack.



© 2024 General Motors. All rights reserved.

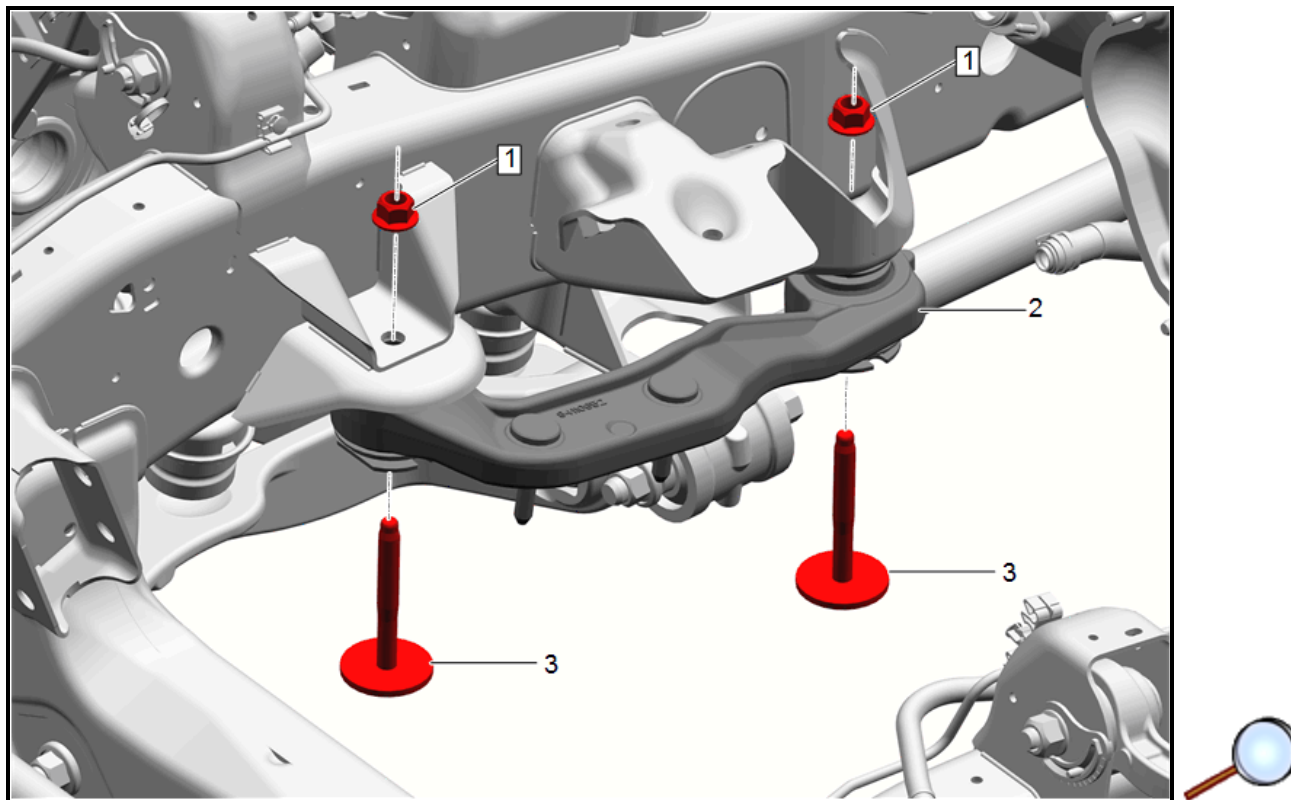
Note: Some components not shown for graphic clarity.

6. Front Differential Carrier Bracket Nut (1) » Remove [2x]



© 2024 General Motors. All rights reserved.

7. Lower the front axle (1) right side.

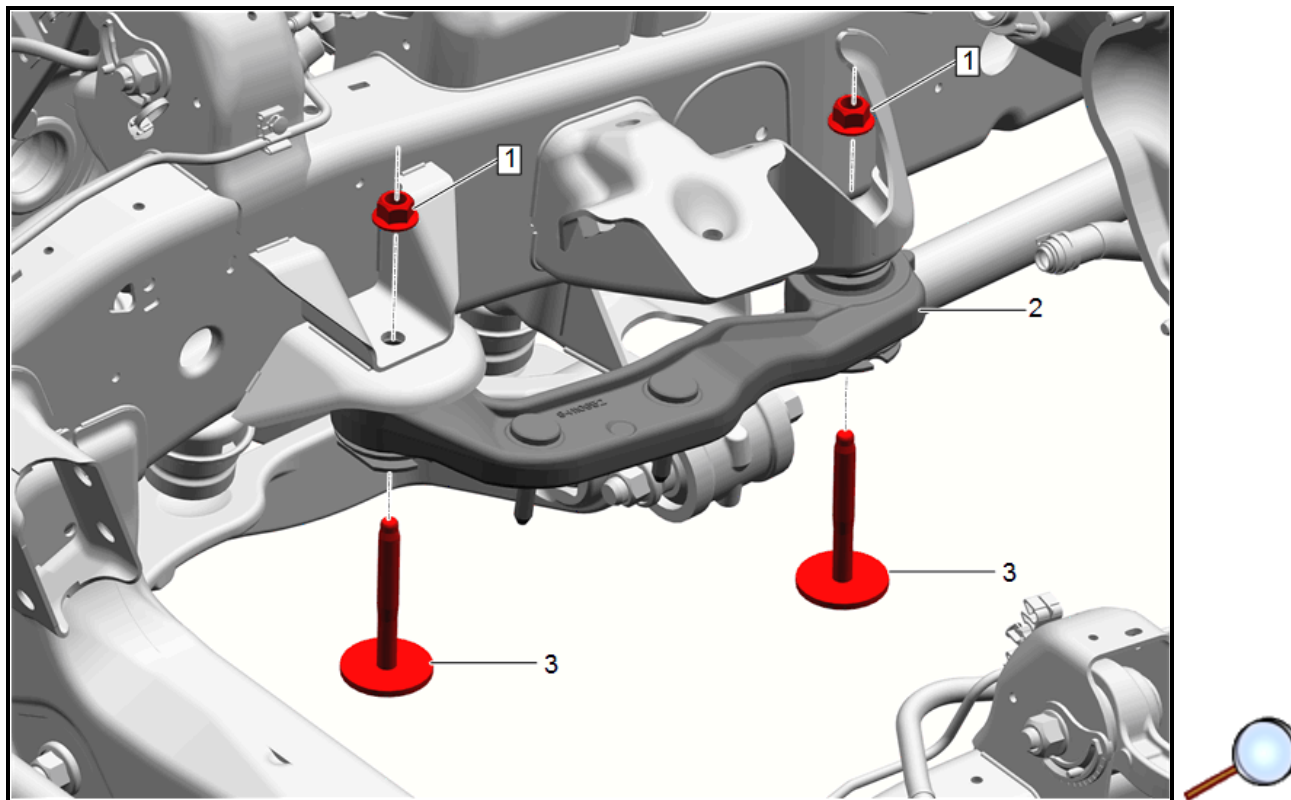


© 2024 General Motors. All rights reserved.

Note: Some components not shown for graphic clarity.

8. Front Differential Carrier Bracket Nut (1) » Remove [2x]
9. Front Differential Carrier Bracket Bolt (3) » Remove [2x]
10. Front Differential Carrier Bracket - Right Side (2) » Remove

Installation Procedure



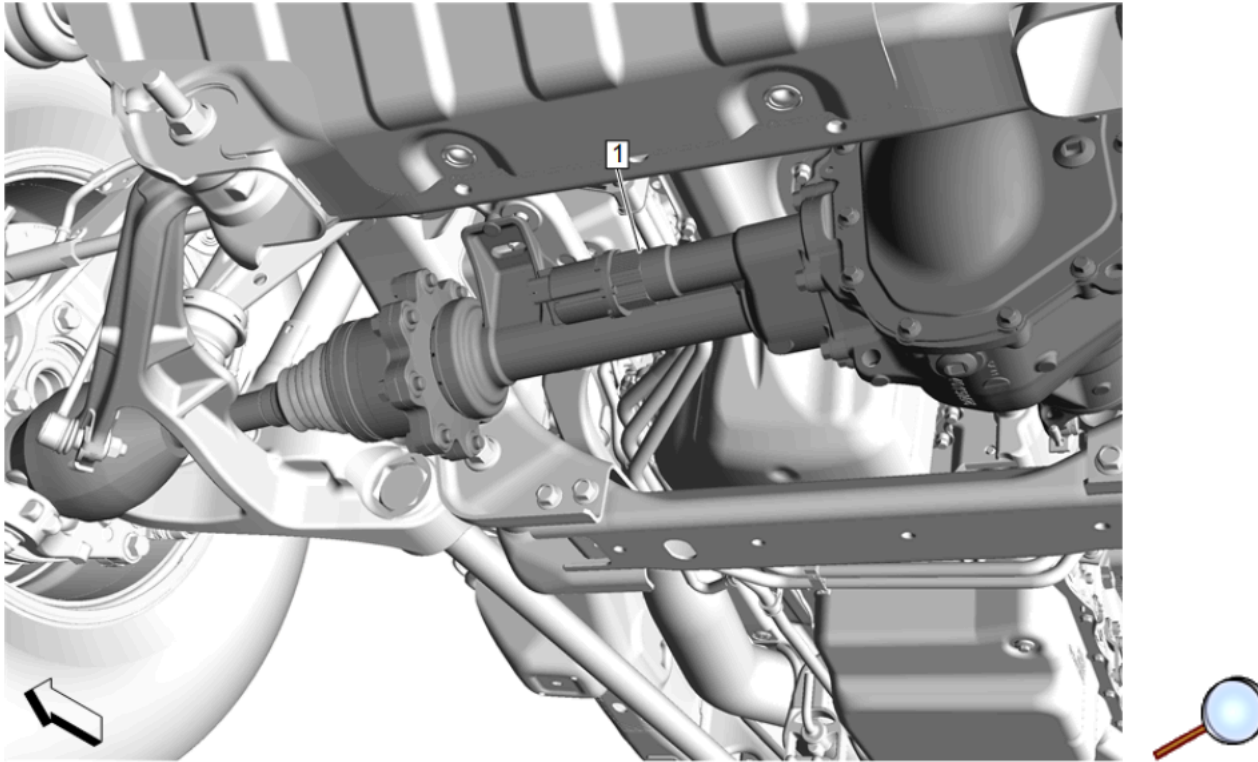
© 2024 General Motors. All rights reserved.

Note: Some components not shown for graphic clarity.

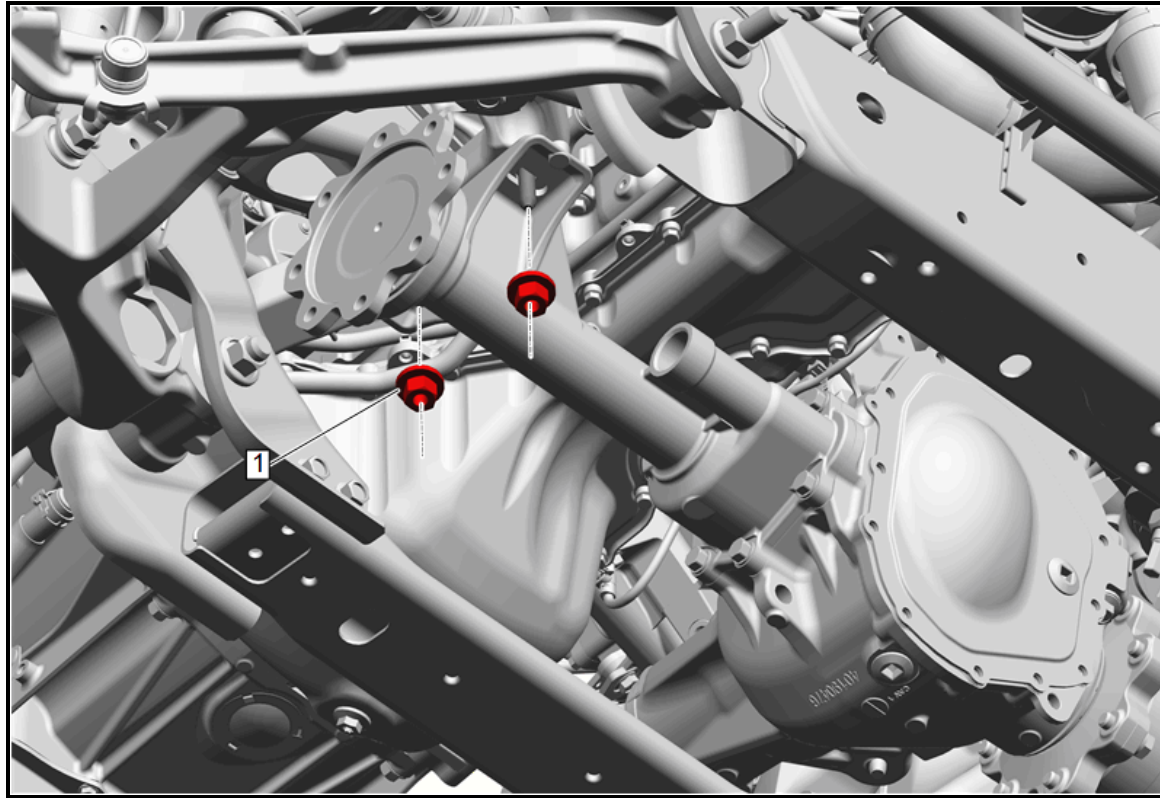
1. Front Differential Carrier Bracket - Right Side (2) » Install

Caution: Refer to [Fastener Caution](#).

2. Front Differential Carrier Bracket Bolt (3) » Install [2x]
3. Front Differential Carrier Bracket Nut (1) » Install [2x]
4. Front Differential Carrier Bracket Bolt (3) » Tighten [2x] — [Fastener Specifications](#)

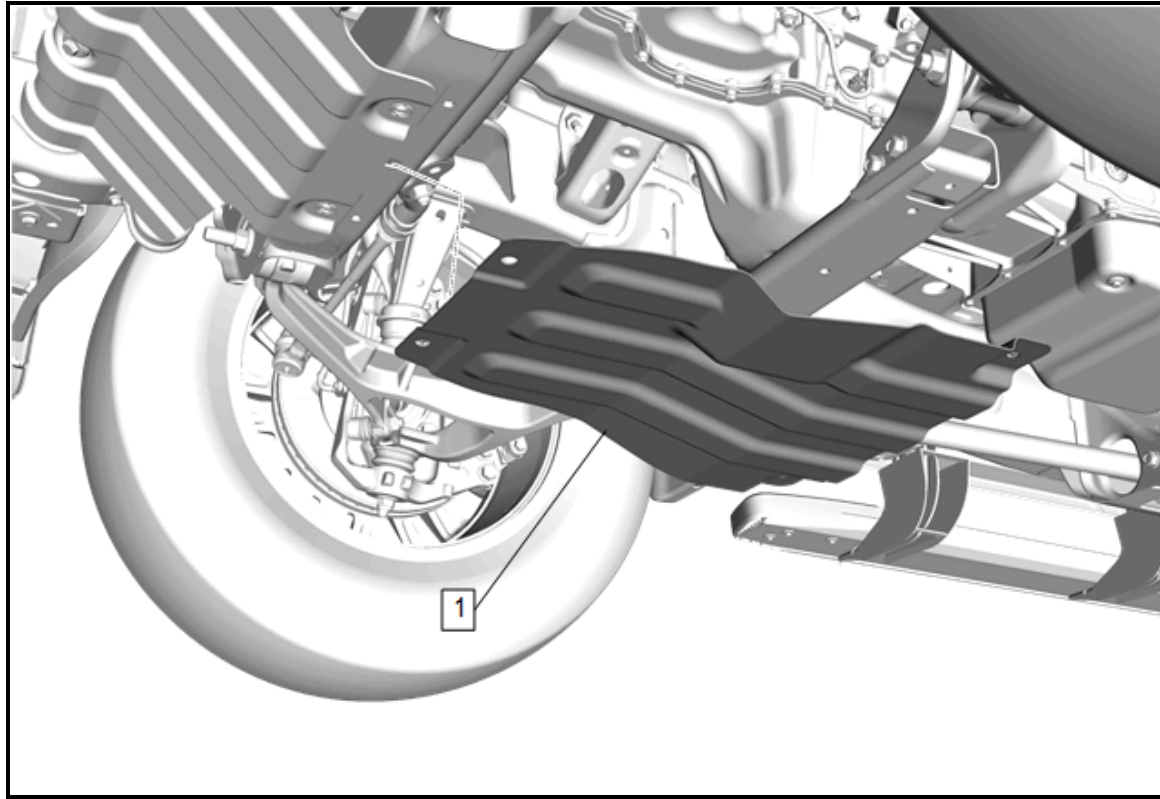


5. Raise the right side of the front axle (1) into position.

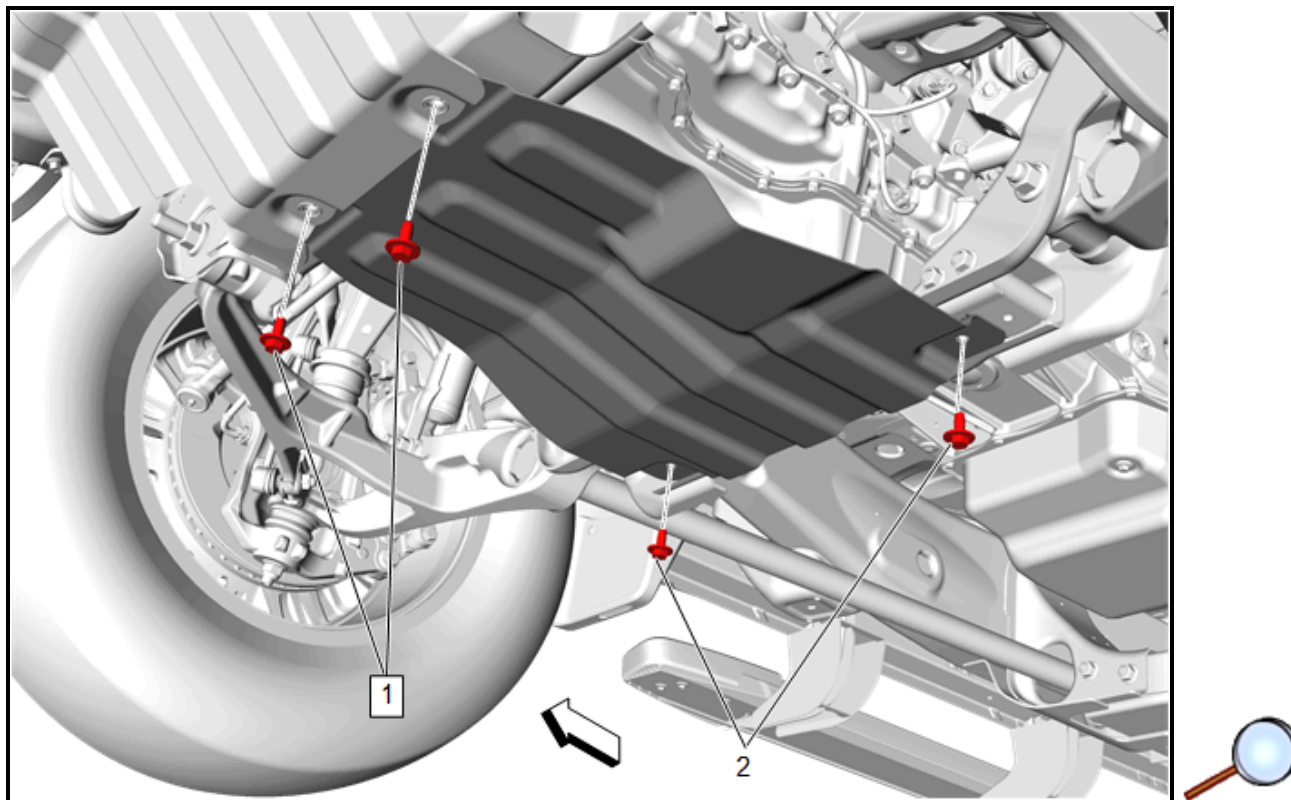


Note: Some components not shown for graphic clarity.

6. Front Differential Carrier Bracket Nut (1) » Install and tighten [2x] — [Fastener Specifications](#)
7. Remove the hydraulic jack from under the front axle assembly.



8. { If equipped } Underbody Skid Shield (1) » Install



9. { If equipped } Underbody Skid Shield Bolt (2) » Install and tighten [2x] — [Fastener Specifications](#)
10. { If equipped } Underbody Splash Shield Bolt (1) » Install and tighten [2x] — [Fastener Specifications](#)
11. Lower the vehicle.