

Front Upper Control Arm Replacement

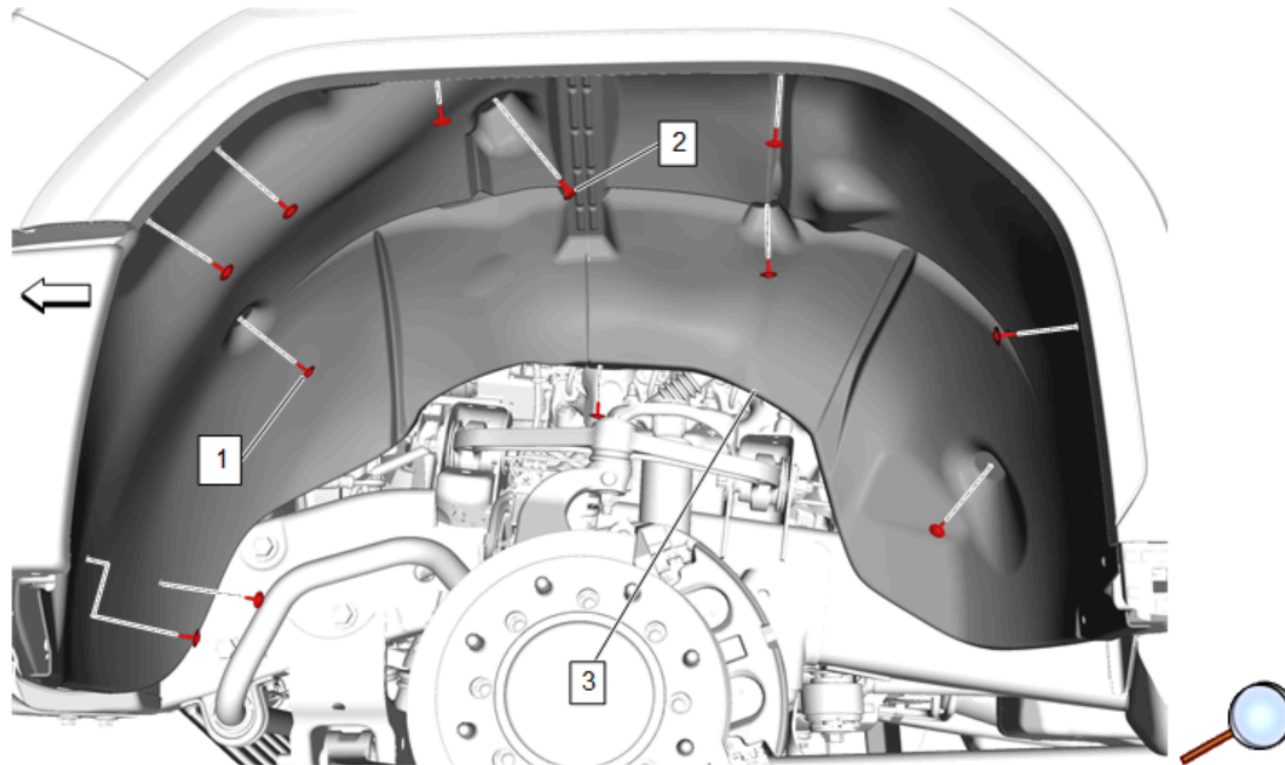
Special Tools

CH-42188-B Ball Joint Separator

Equivalent regional tools: [Special Tools](#)

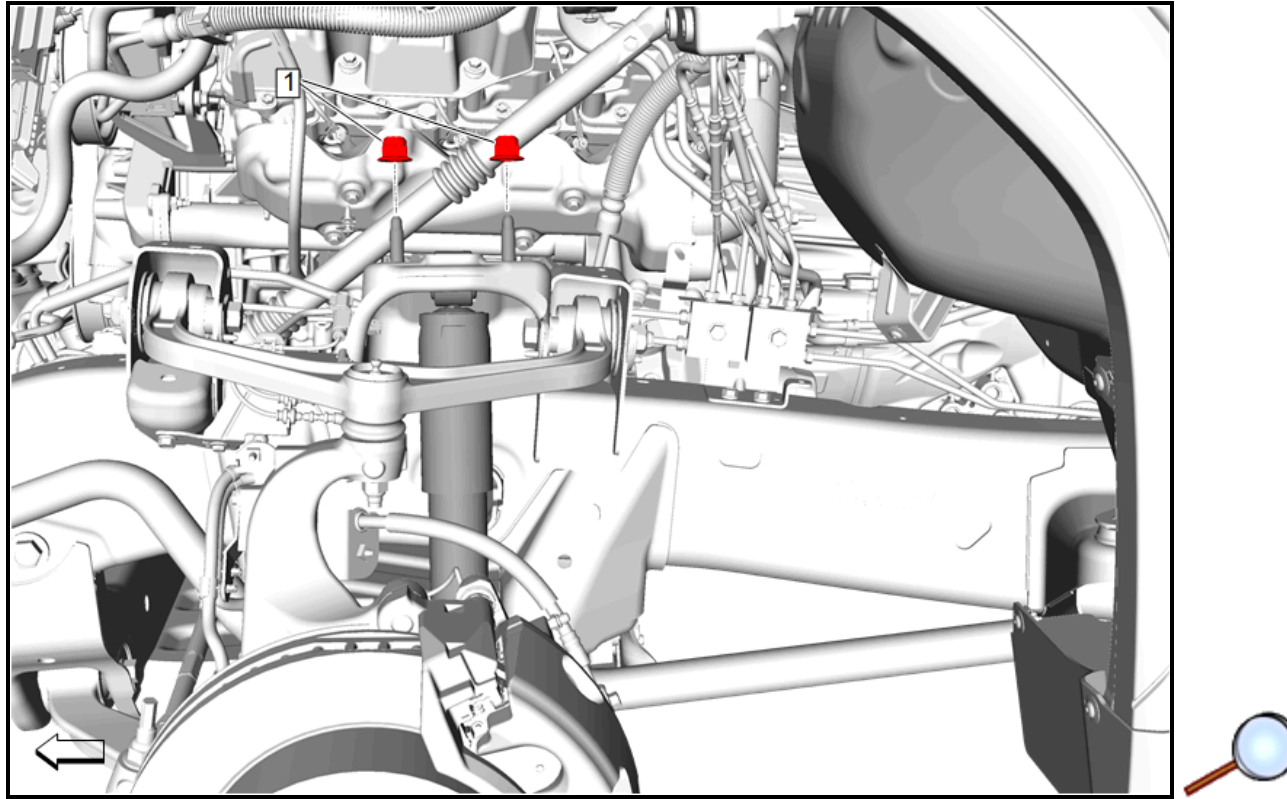
Removal Procedure

© 2024 General Motors. All rights reserved.

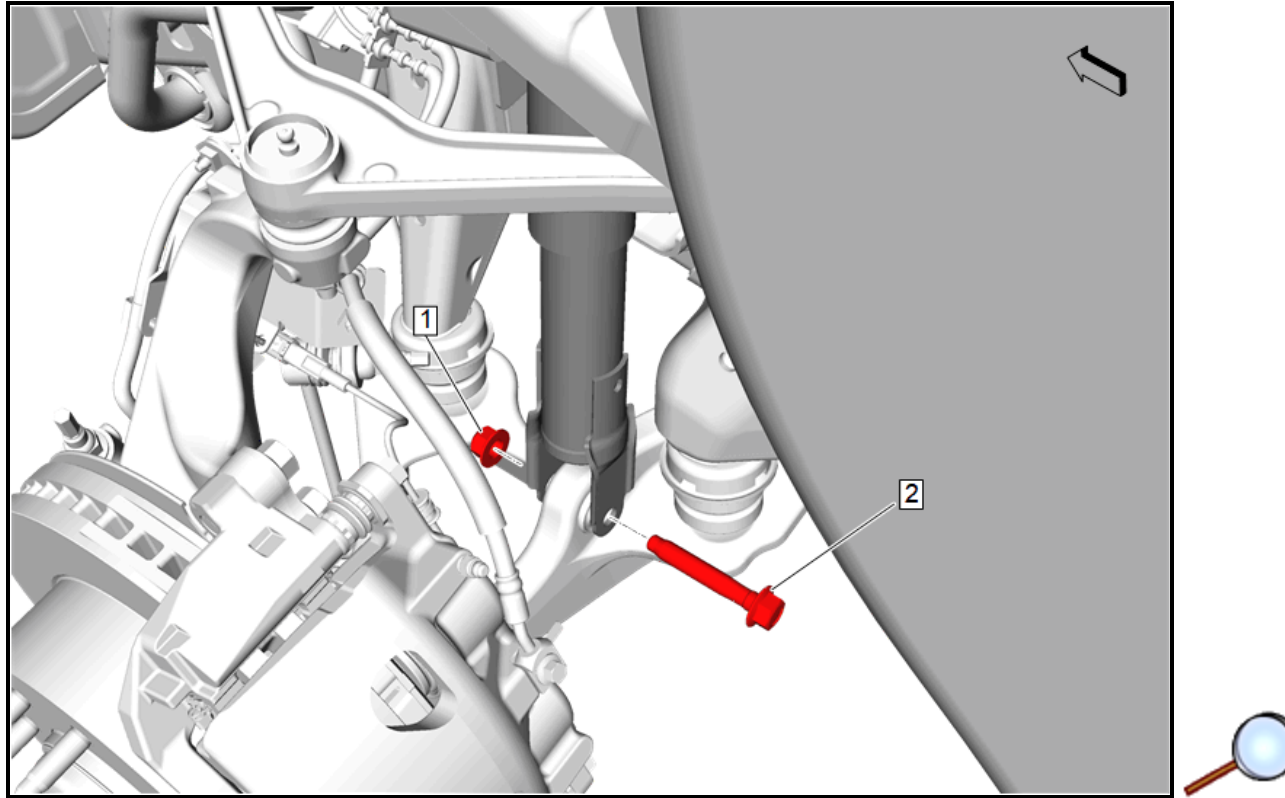


1. Front Wheelhouse Liner (3) » Remove — [Front Wheelhouse Liner Replacement](#)
2. If necessary, unclip and reposition the chassis wiring harness.

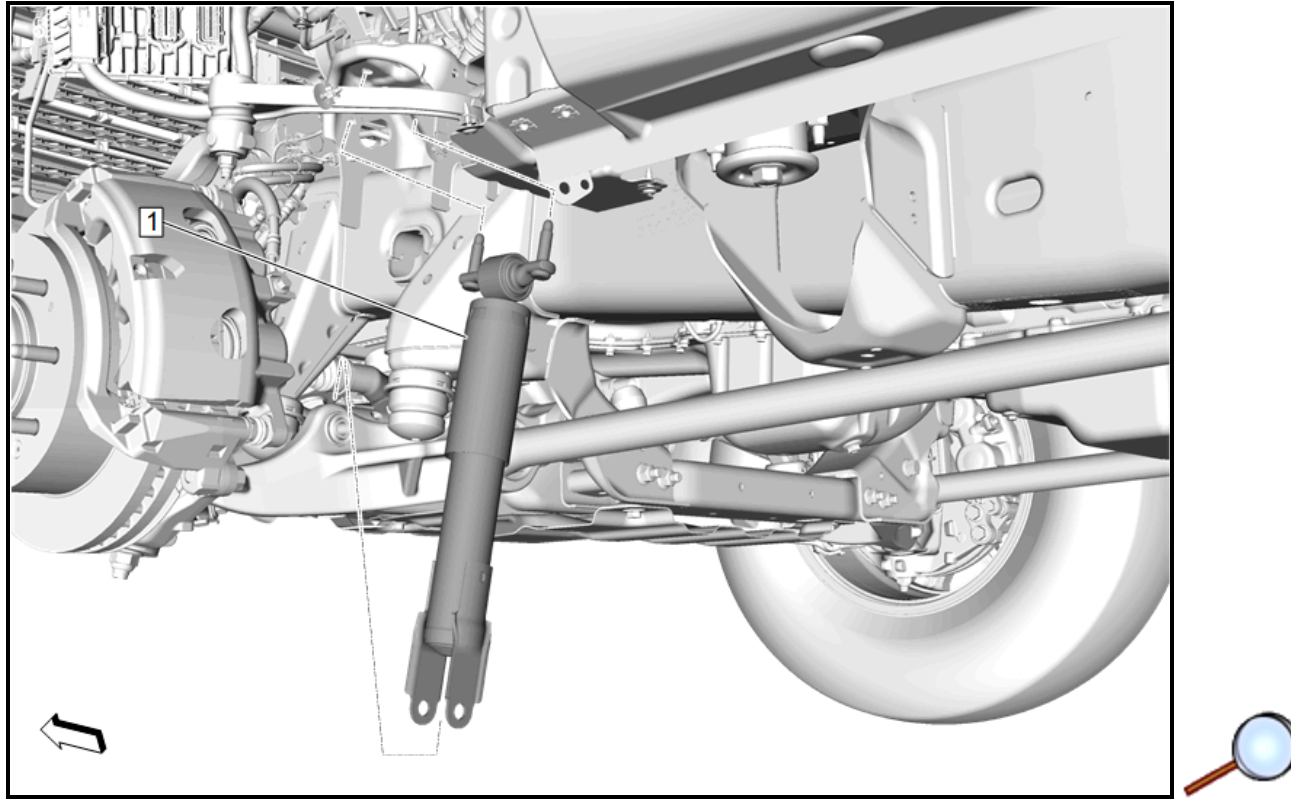
- Note:** Support the lower control arm to prevent over-articulation of the front lower control arm ball joint.
3. Support the front lower control arm with a suitable jack stand.



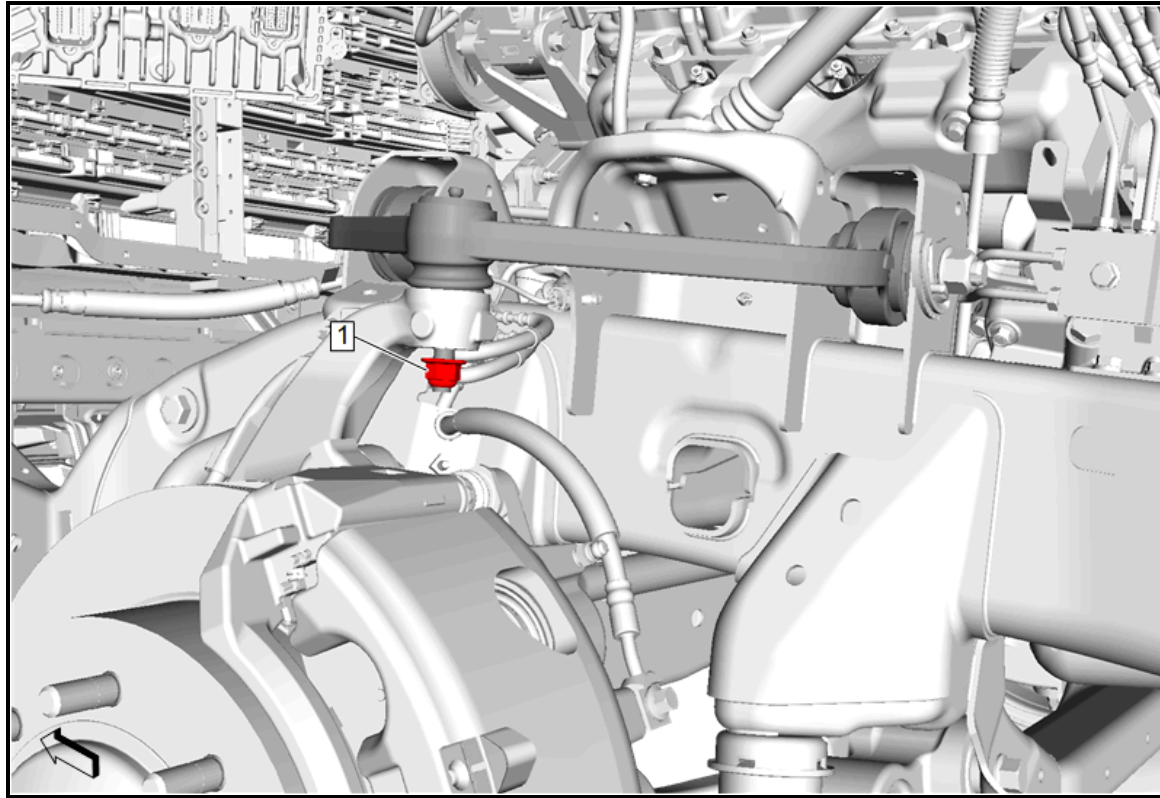
4. Front Shock Absorber Nut - Upper (1) » Remove [2x]



5. Front Shock Absorber Nut - Lower (1) » Remove
6. Front Shock Absorber Bolt (2) » Remove

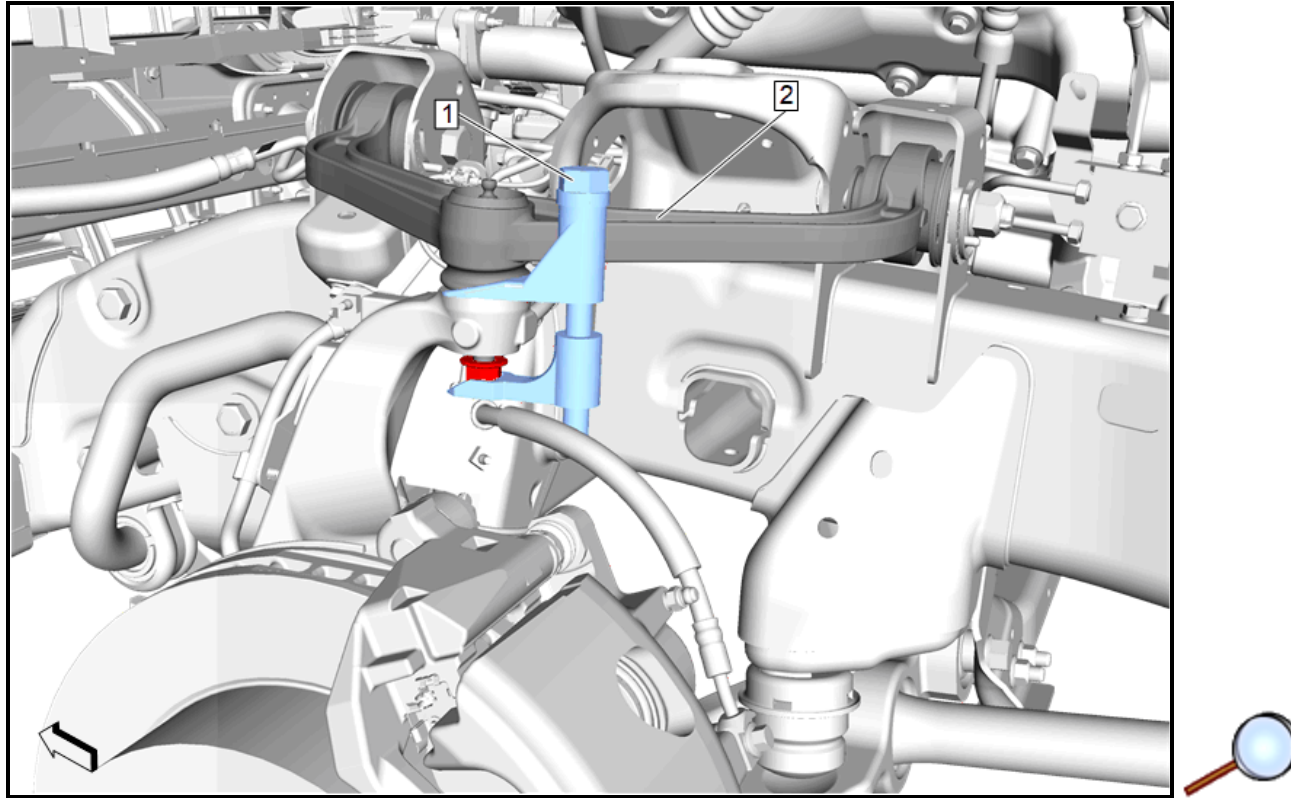


7. Front Shock Absorber (1) » Remove

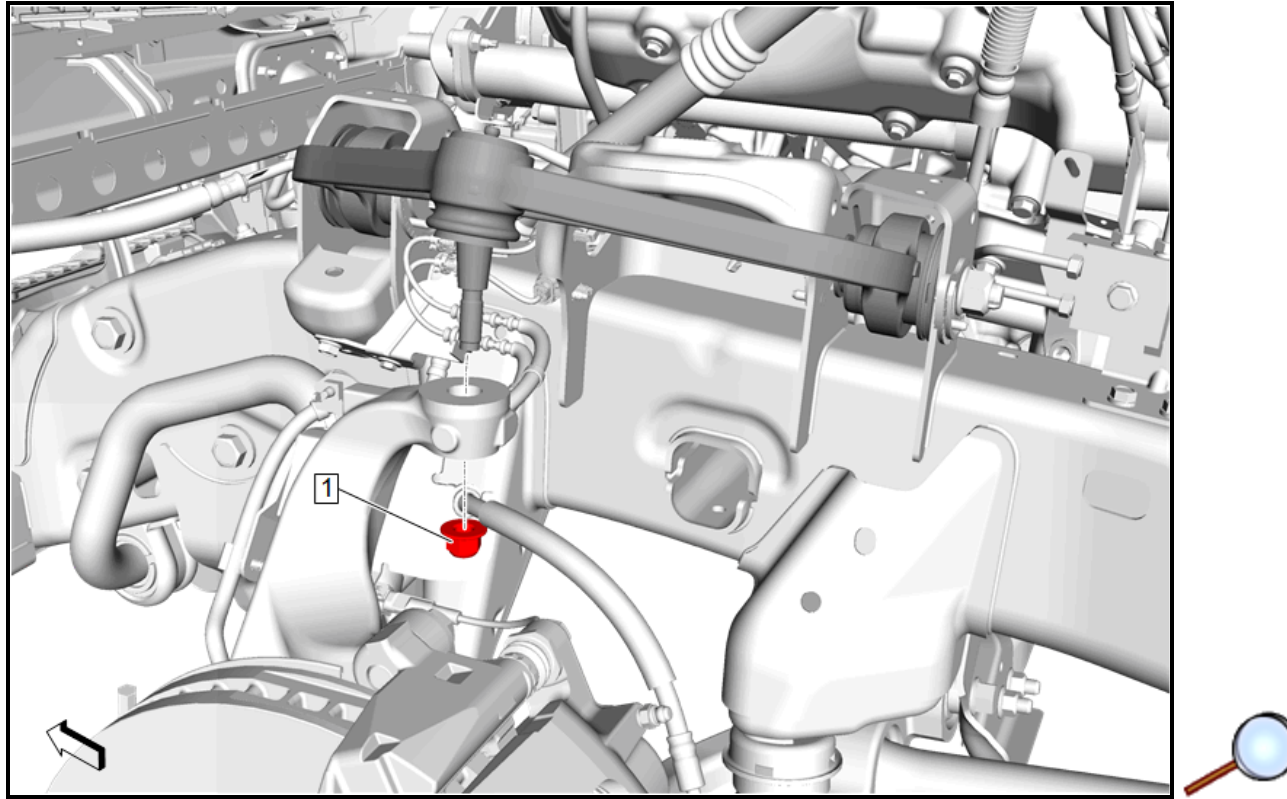


© 2024 General Motors. All rights reserved.

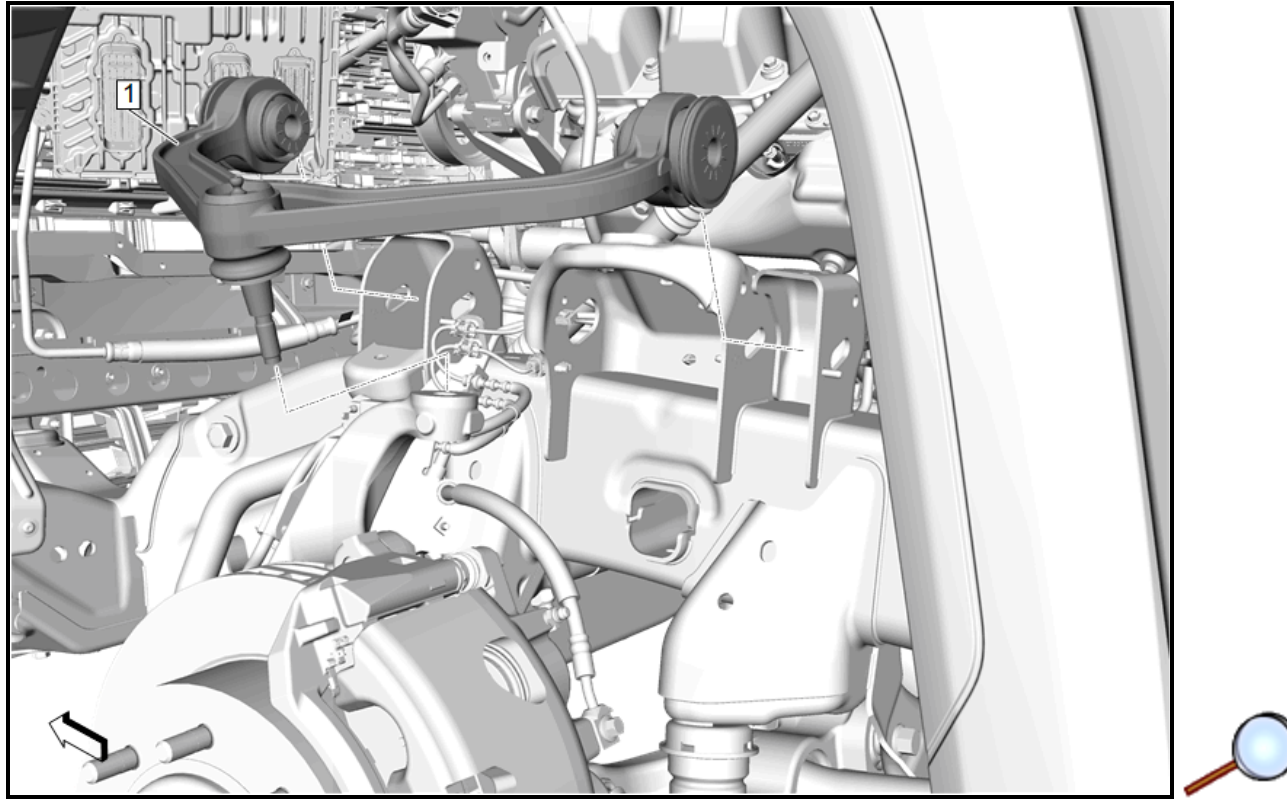
8. Front Upper Control Arm Ball Stud Nut (1) » Loosen



9. Using the *CH-42188-B* Ball Joint Separator (1), separate the front upper control arm (2) from the steering knuckle.
10. Remove the *CH-42188-B* Ball Joint Separator (1) from the front upper control arm (2) and the steering knuckle.

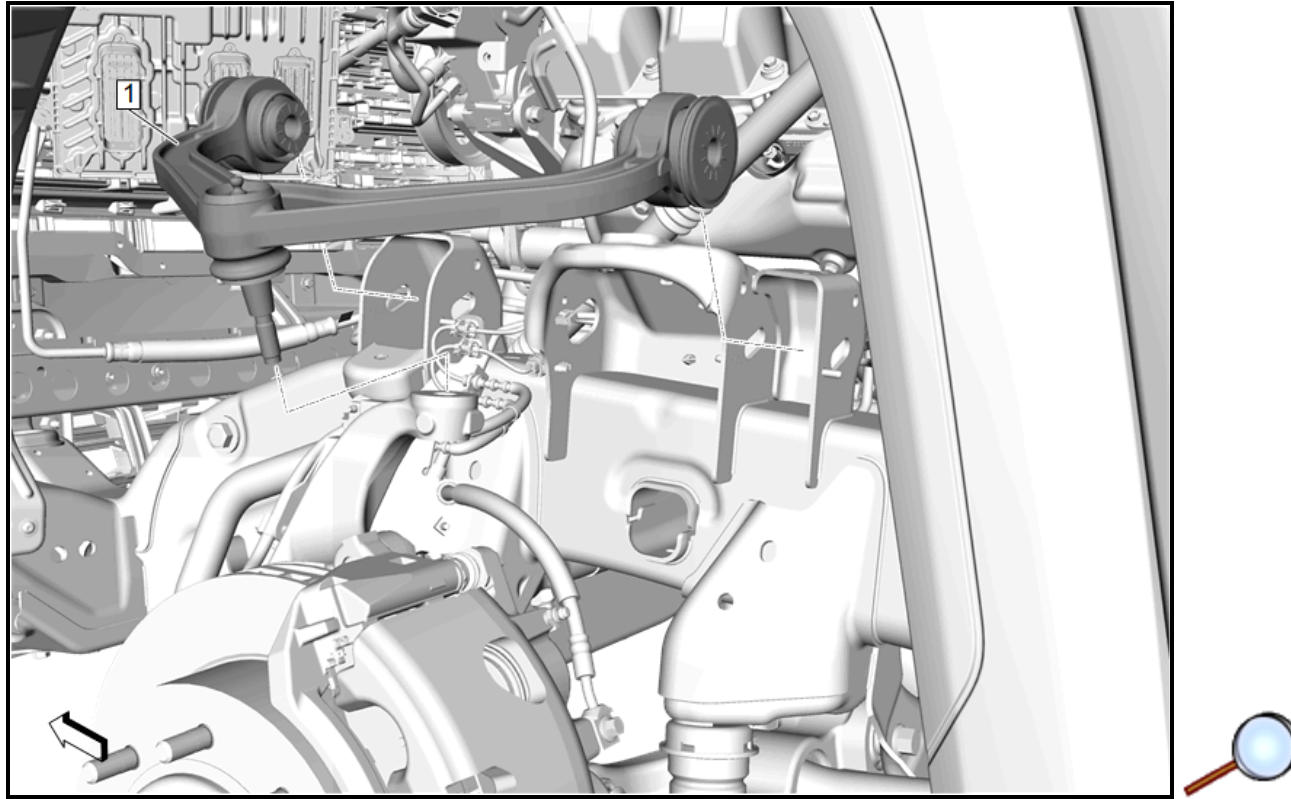


11. Front Upper Control Arm Ball Stud Nut (1) » Remove

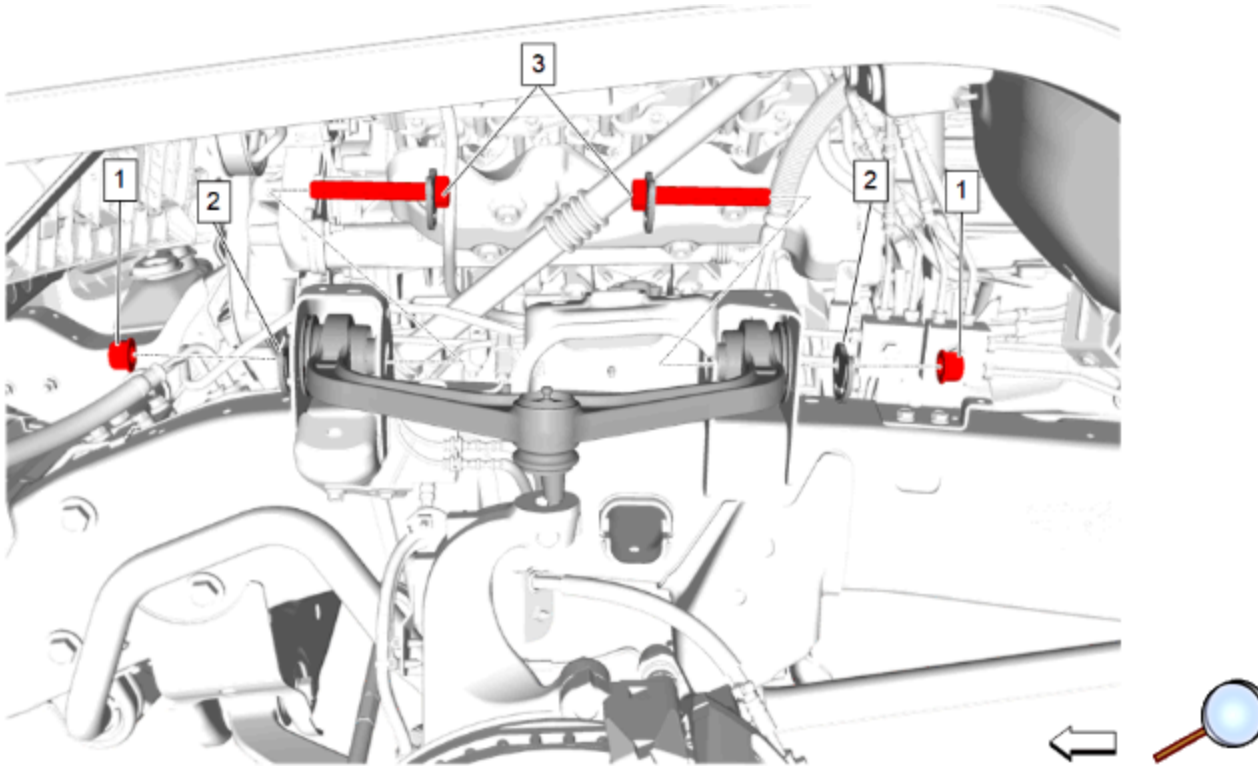


17. Front Upper Control Arm (1) » Remove

[Installation Procedure](#)

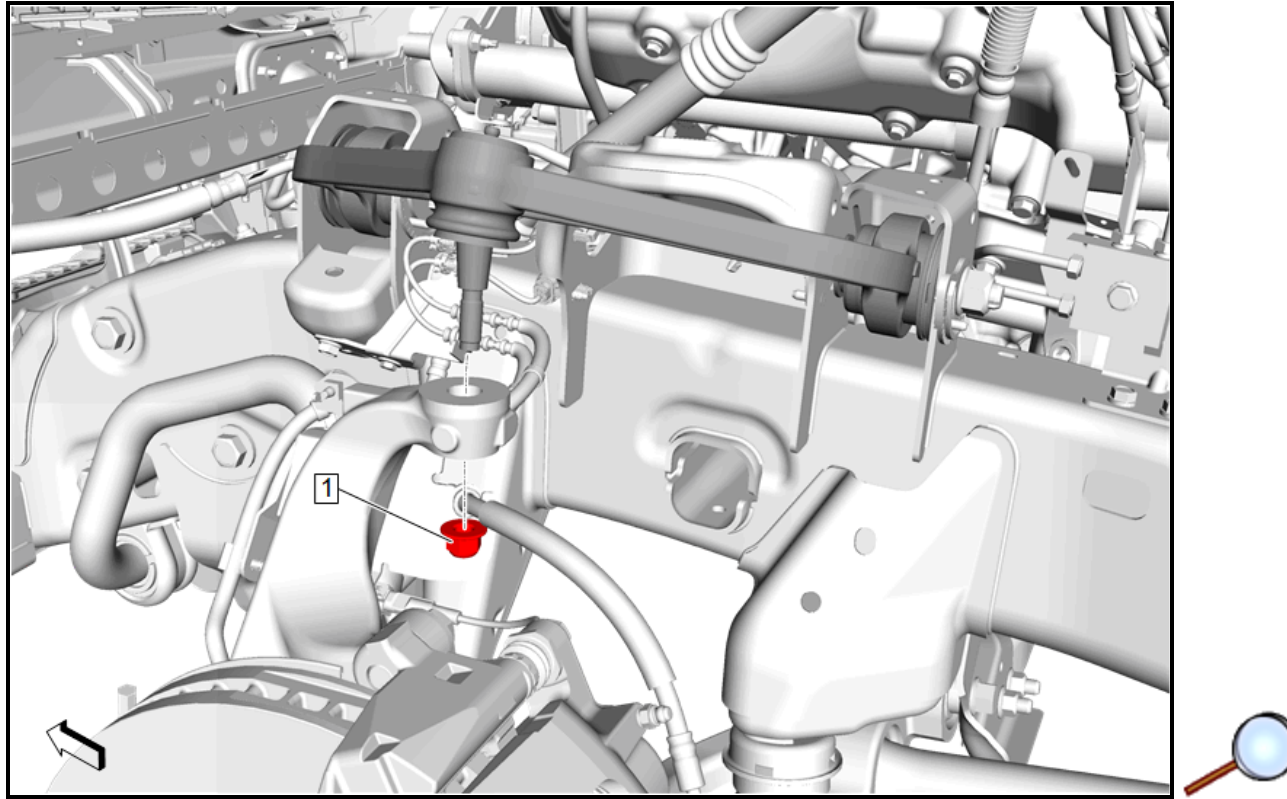


1. Front Upper Control Arm (1) » Install



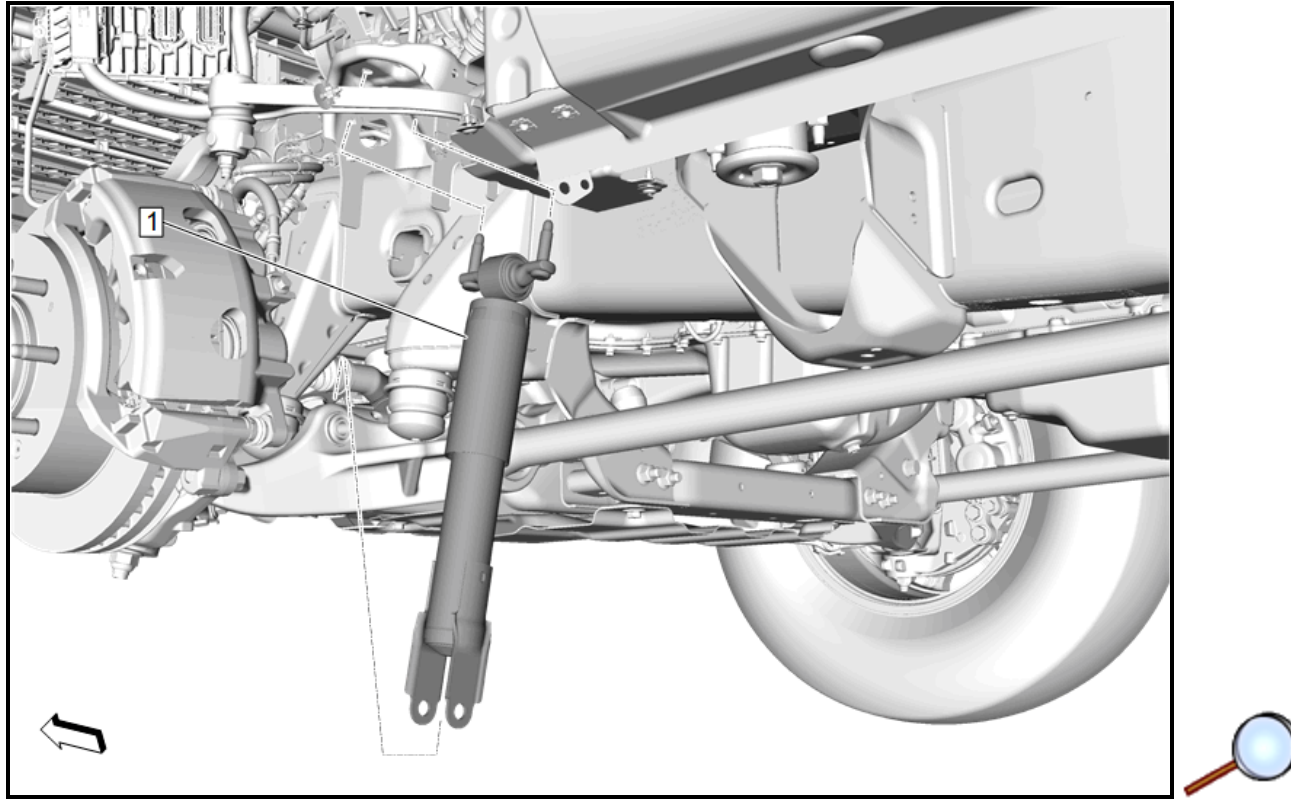
© 2024 General Motors. All rights reserved.

2. Front Upper Control Arm Bolt (3) » Install [2x]
 3. Front Upper Control Arm Adjust Cam (2) » Install [2x]
 4. Align the marks made on the 2 front upper control arm adjust cams (2) and the 2 front upper control arm adjust bolts (3) to the vehicle frame.
- Note:** The final torque on the front upper control arm nut (1) is to be applied during the front camber adjustment procedure.
5. Front Upper Control Arm Nut (1) » Install and hand tighten [2x]

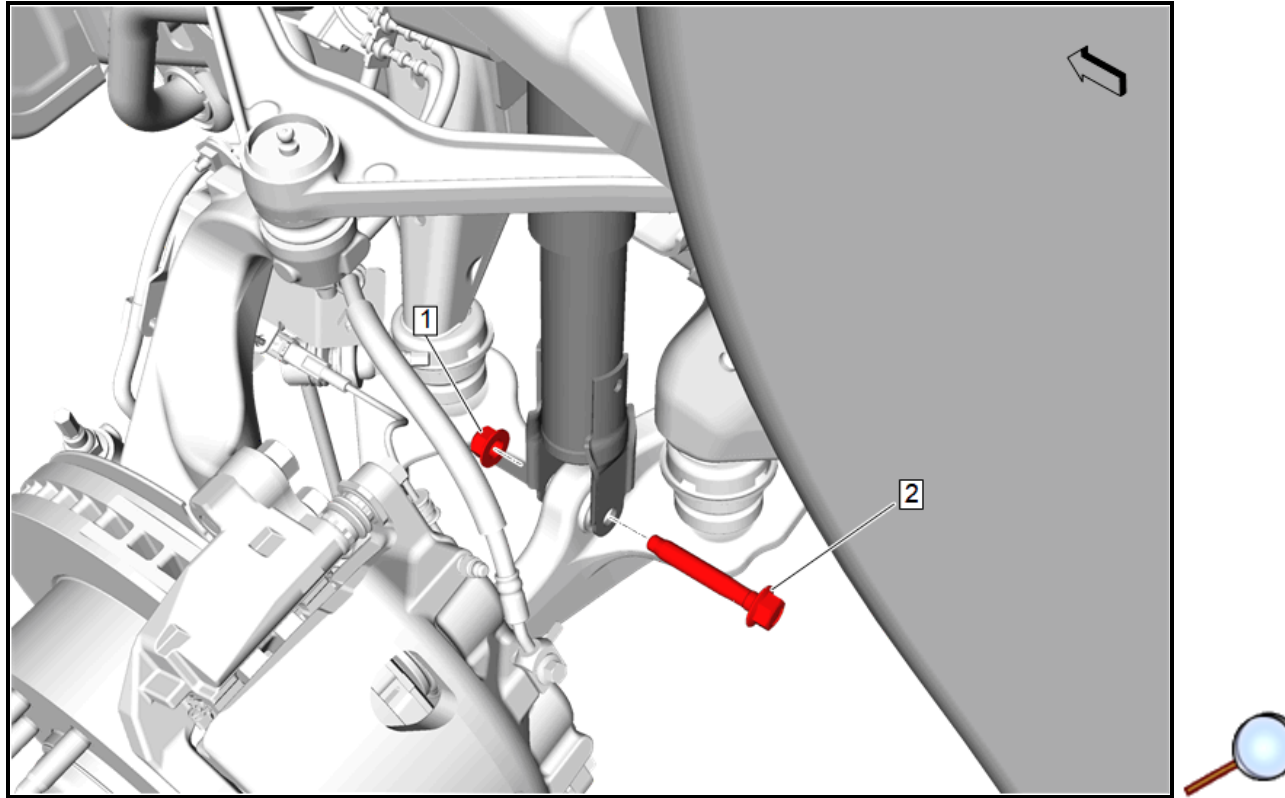


Caution: Refer to [Fastener Caution](#).

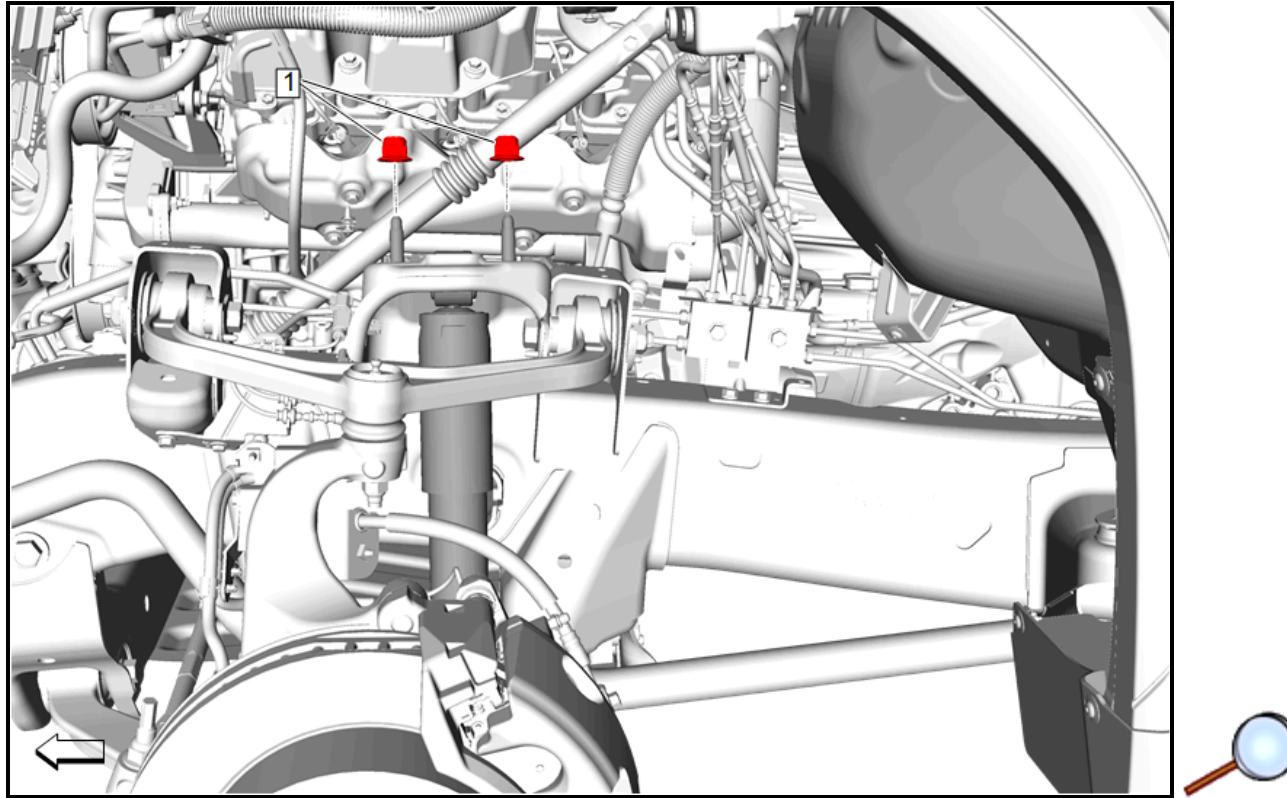
6. Front Upper Control Arm Ball Stud Nut (1) » Install and tighten — [Fastener Specifications](#)



7. Front Shock Absorber (1) » Install

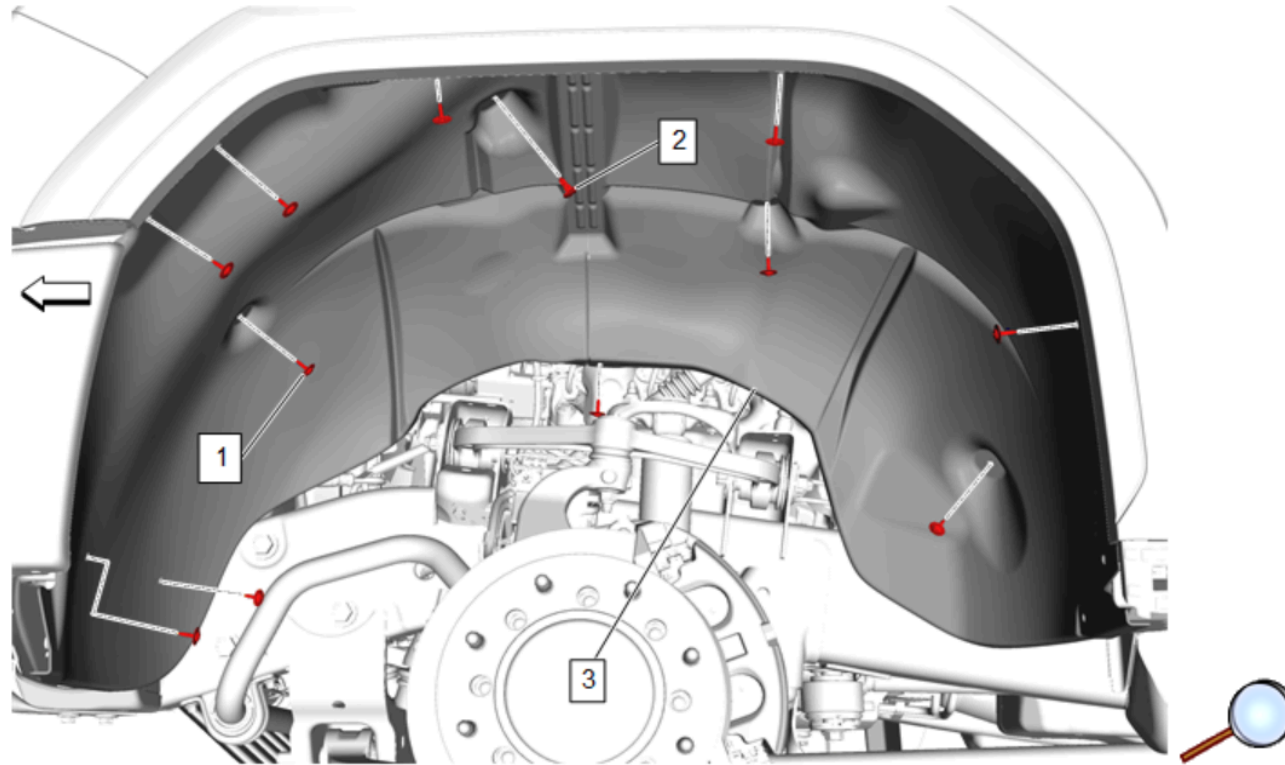


8. Front Shock Absorber Bolt (2) » Install
9. Front Shock Absorber Nut - Lower (1) » Loosely install
10. Front Shock Absorber Bolt (2) » Tighten — [Fastener Specifications](#)



© 2024 General Motors. All rights reserved.

11. Front Shock Absorber Nut - Upper (1) » Install and tighten [2x] — [Fastener Specifications](#)
12. If necessary, reinstall the chassis wiring harness.
13. Remove the jack stand from beneath the front lower control arm.



© 2024 General Motors. All rights reserved.

14. Front Wheelhouse Liner (3) » Install — [Front Wheelhouse Liner Replacement](#)
15. Measure and adjust the wheel alignment. [Front Caster and Camber Adjustment](#)