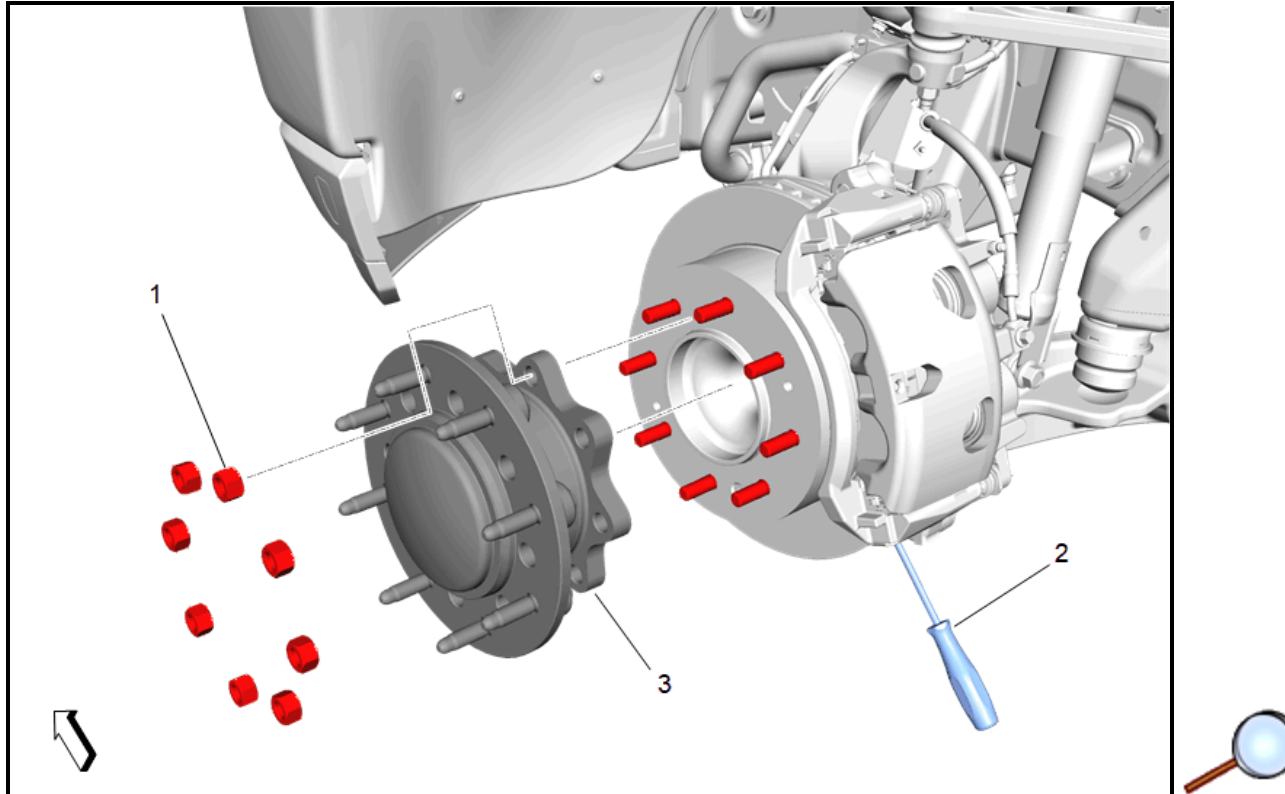


Front Wheel Hub Extension Replacement

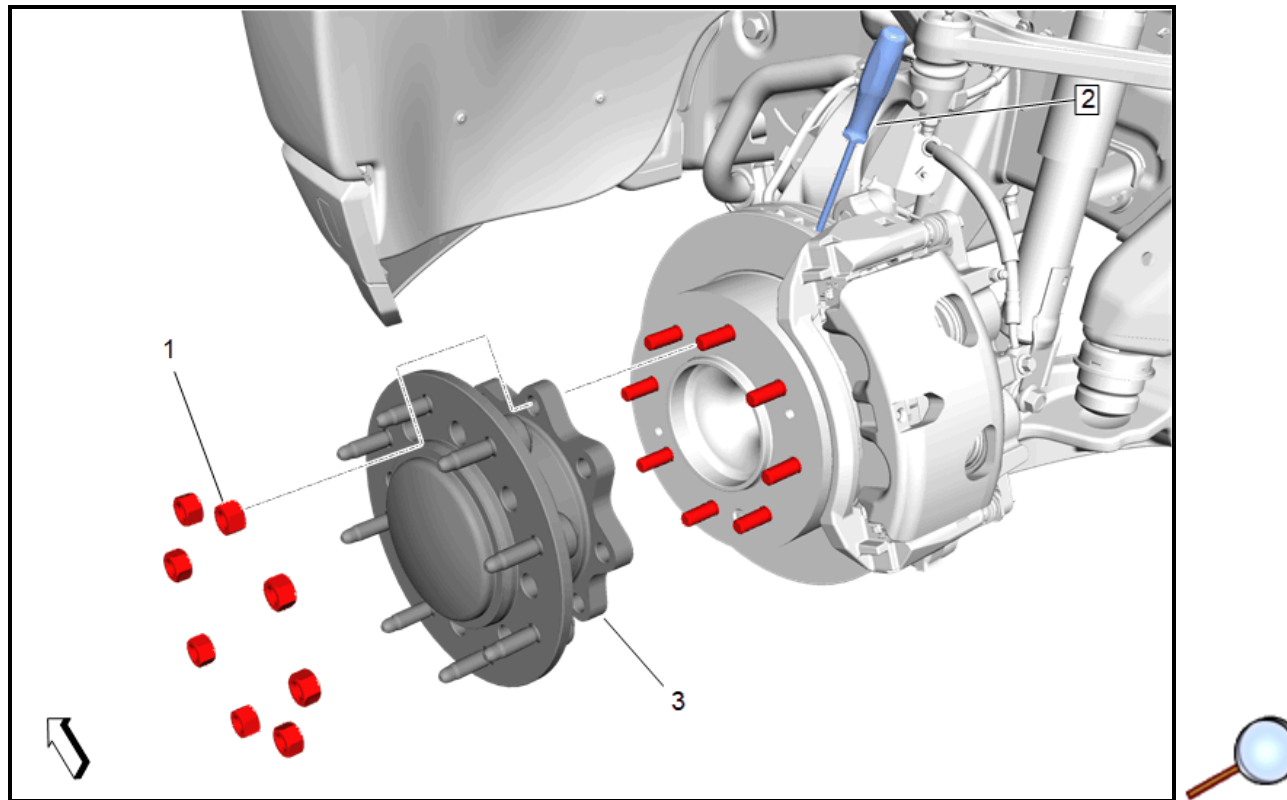
Removal Procedure

1. Remove the front tire and wheel assembly. [Tire and Wheel Removal and Installation](#)



2. Insert a suitably sized flat bladed tool (2) into the cooling fins of the front brake rotor in order to prevent the rotor and hub assembly from rotating.
3. Front Wheel Hub Extension Nut (1) » Remove [8x]
4. Front Wheel Hub Extension (3) » Remove
5. Remove the flat bladed tool (2) from the fins of the front brake rotor.
6. Transfer components as necessary.

Installation Procedure



1. Front Wheel Hub Extension (3) » Install
2. Insert a suitably sized flat bladed tool (2) into the cooling fins of the front brake rotor in order to prevent the rotor and hub assembly from rotating.
- Caution:** Refer to [Fastener Caution](#).
3. Install the 8 front wheel hub extension nuts (1) and tighten evenly in a crisscross pattern. [Fastener Specifications](#)
4. Remove the flat bladed tool (2) from the fins of the front brake rotor.
5. Install the front tire and wheel assembly. [Tire and Wheel Removal and Installation](#)