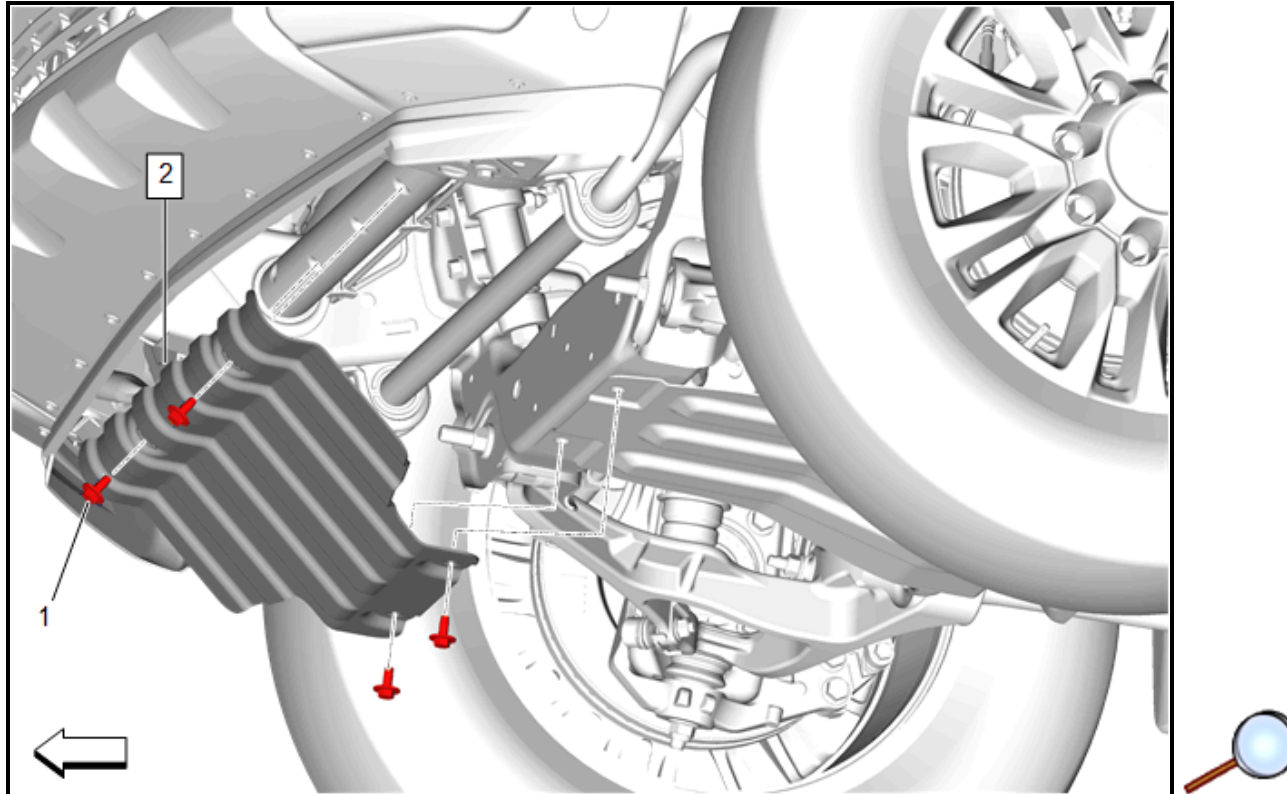


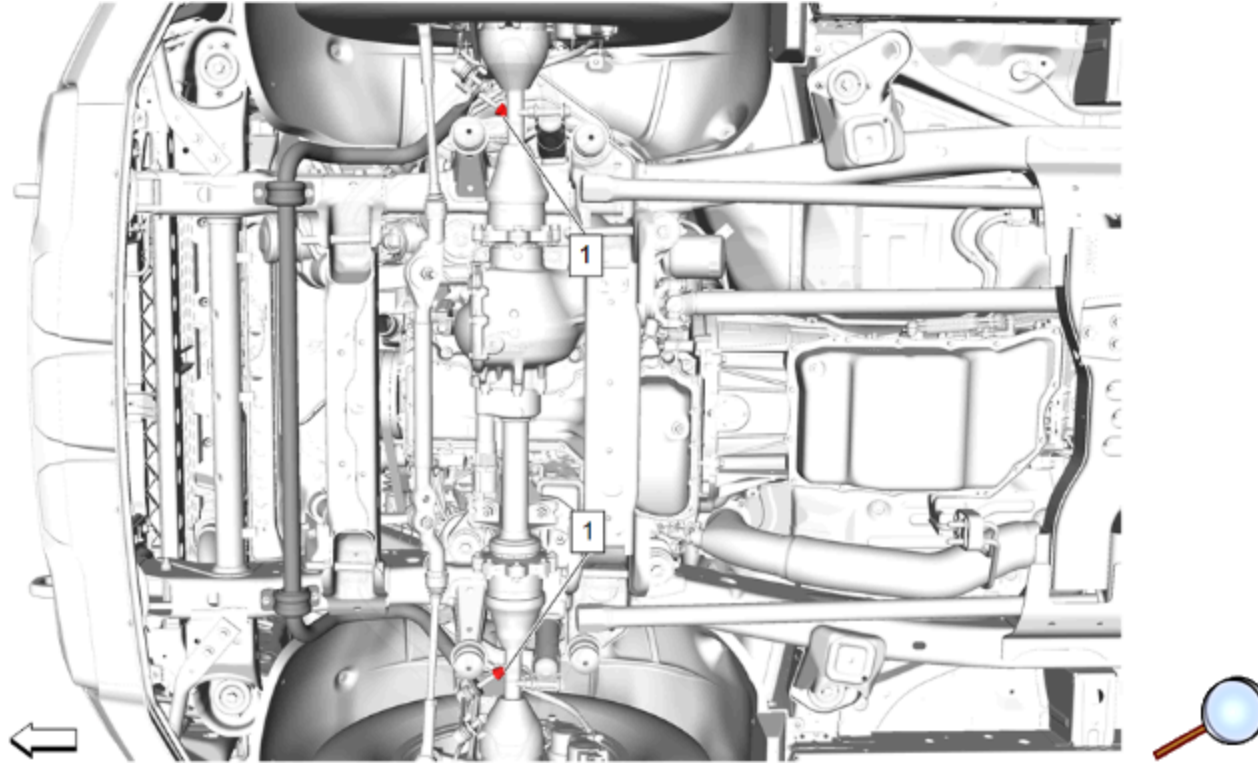
Front Stabilizer Shaft Replacement

Removal Procedure

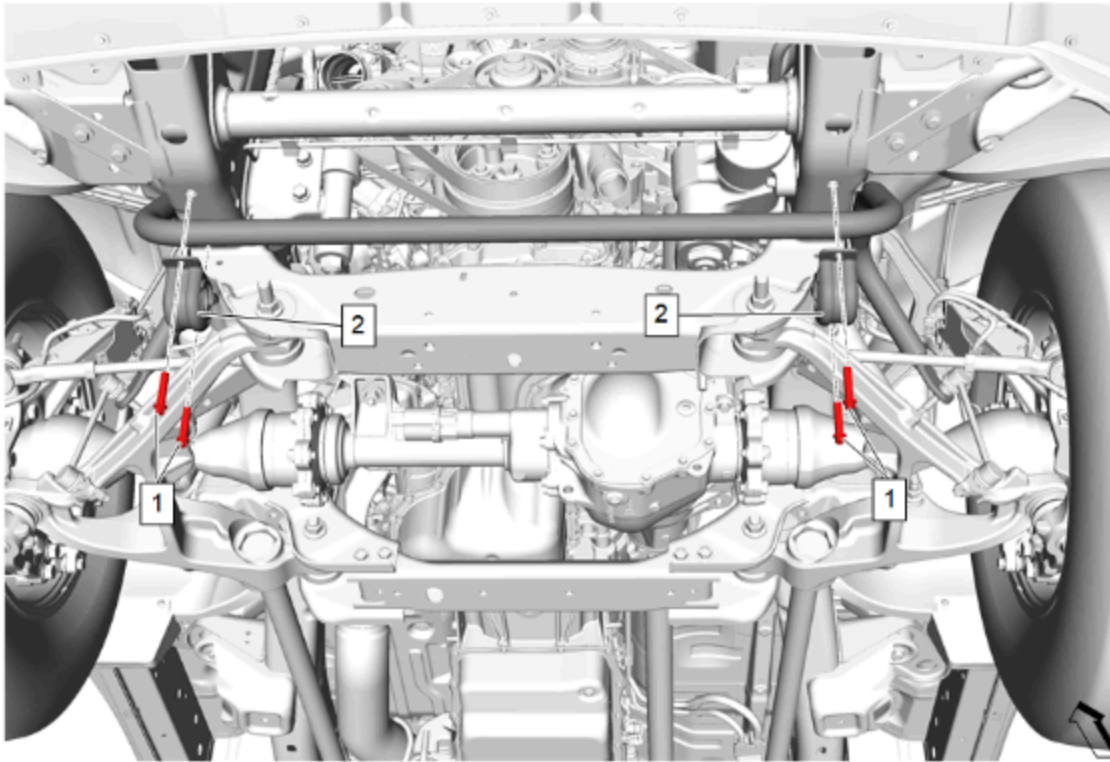
1. Remove the front tire and wheel assemblies. [Tire and Wheel Removal and Installation](#)



2. Underbody Splash Shield Bolt (1) » Remove [4x]
3. Underbody Splash Shield (2) » Remove

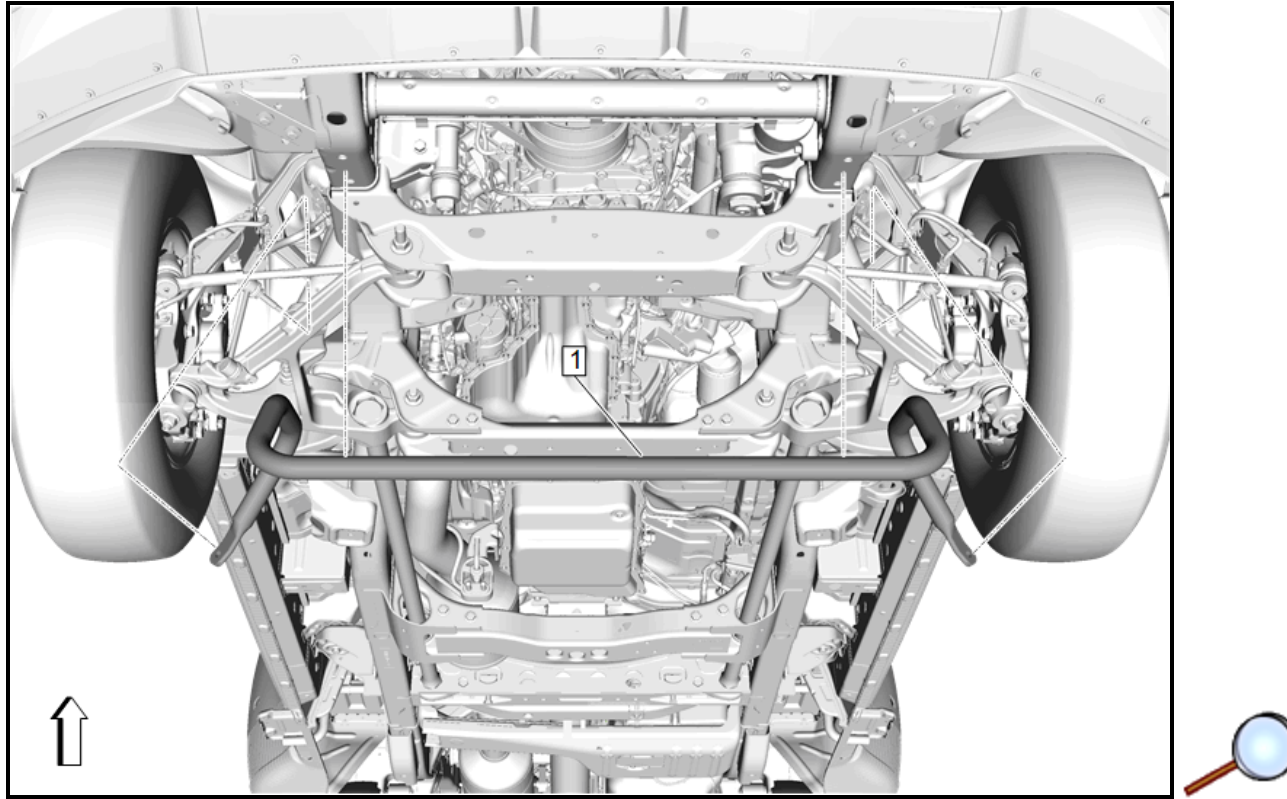


4. Front Stabilizer Shaft Link Nut - Upper (1) » Remove [2x]



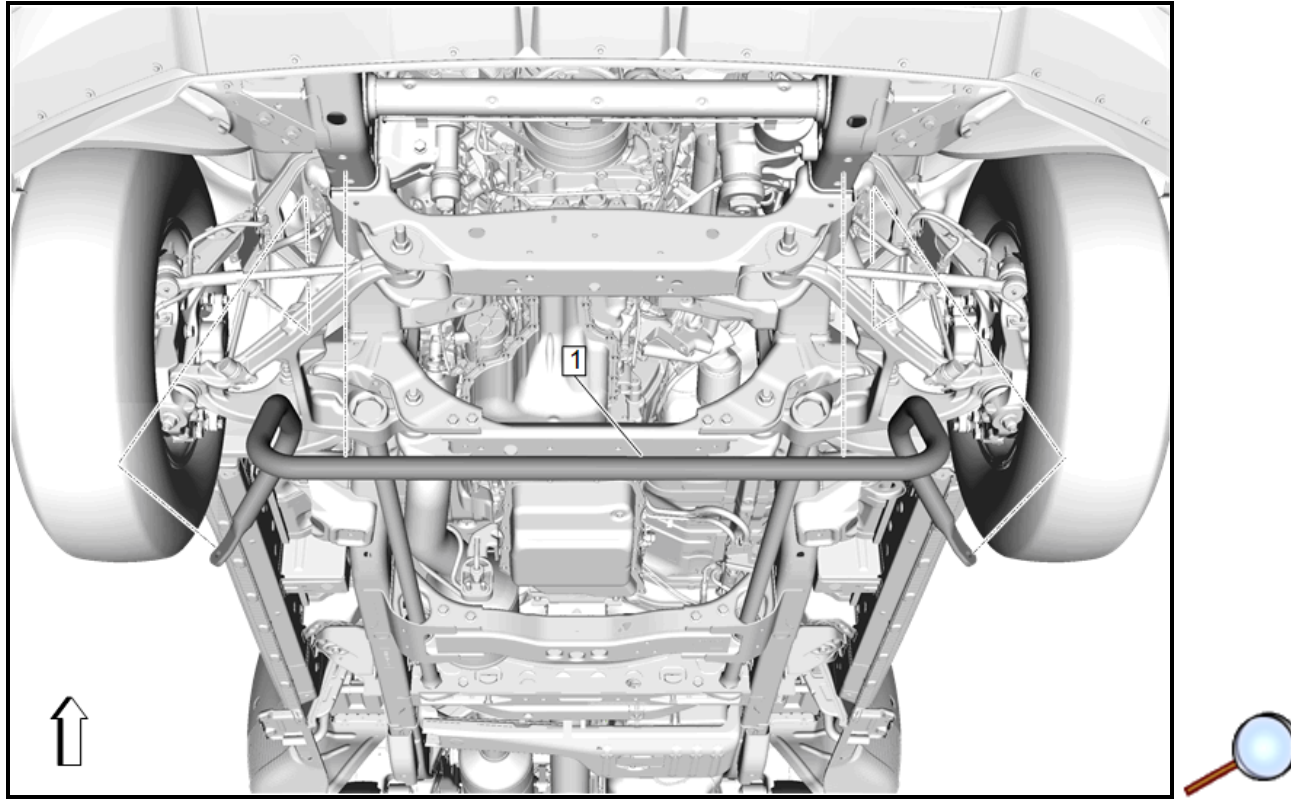
© 2024 General Motors. All rights reserved.

5. Front Stabilizer Shaft Bolt (1) » Remove [4x]
6. Front Stabilizer Shaft Clamp (2) » Remove [2x]

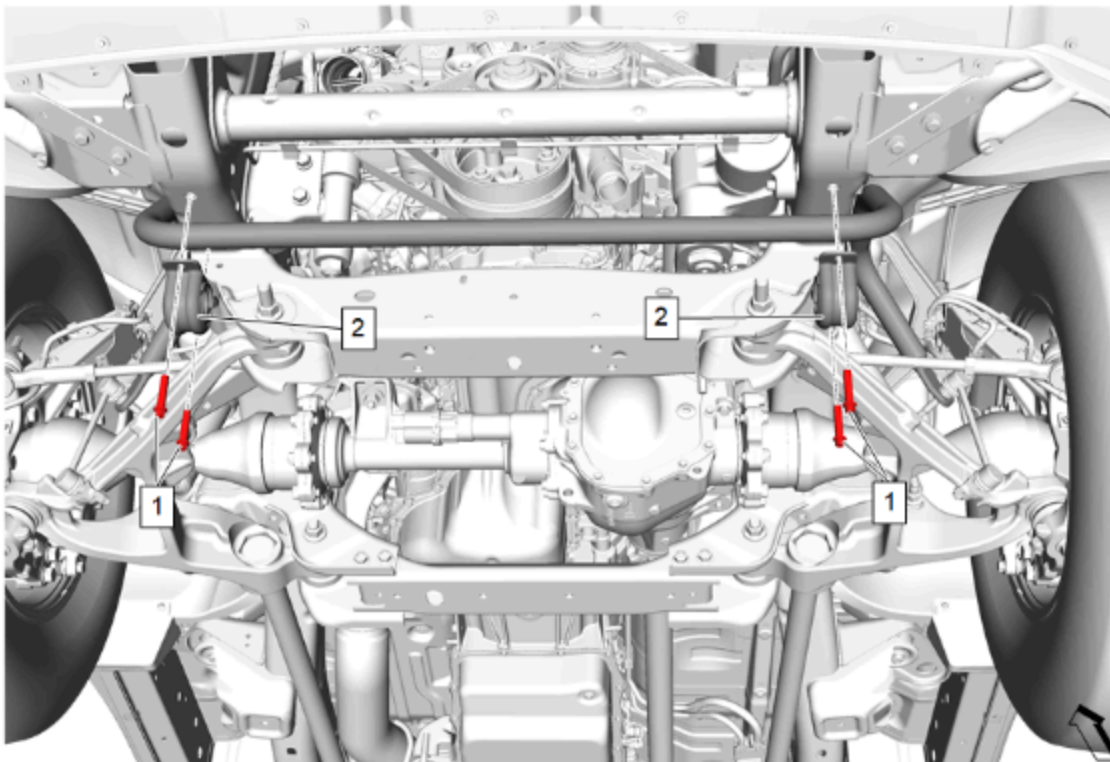


7. Front Stabilizer Shaft (1) » Remove

Installation Procedure



1. Front Stabilizer Shaft (1) » Install

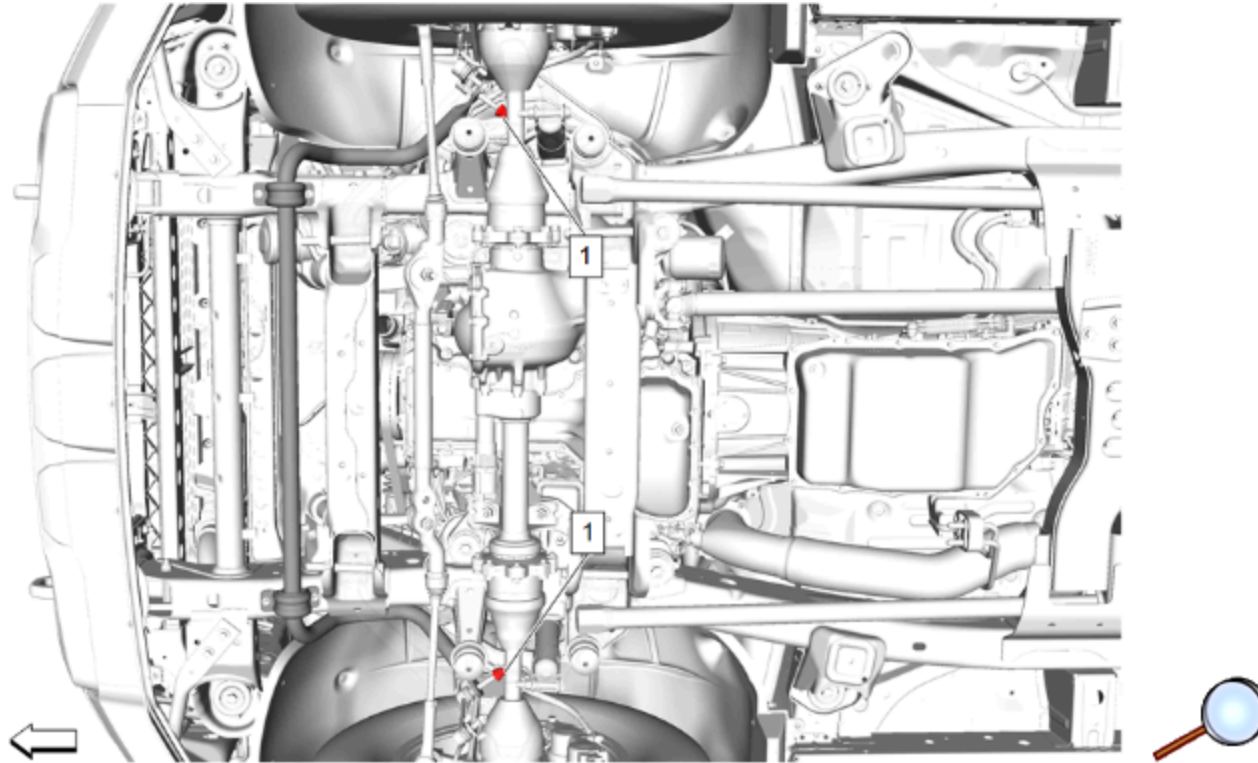


© 2024 General Motors. All rights reserved.

2. Front Stabilizer Shaft Clamp (2) » Install [2x]

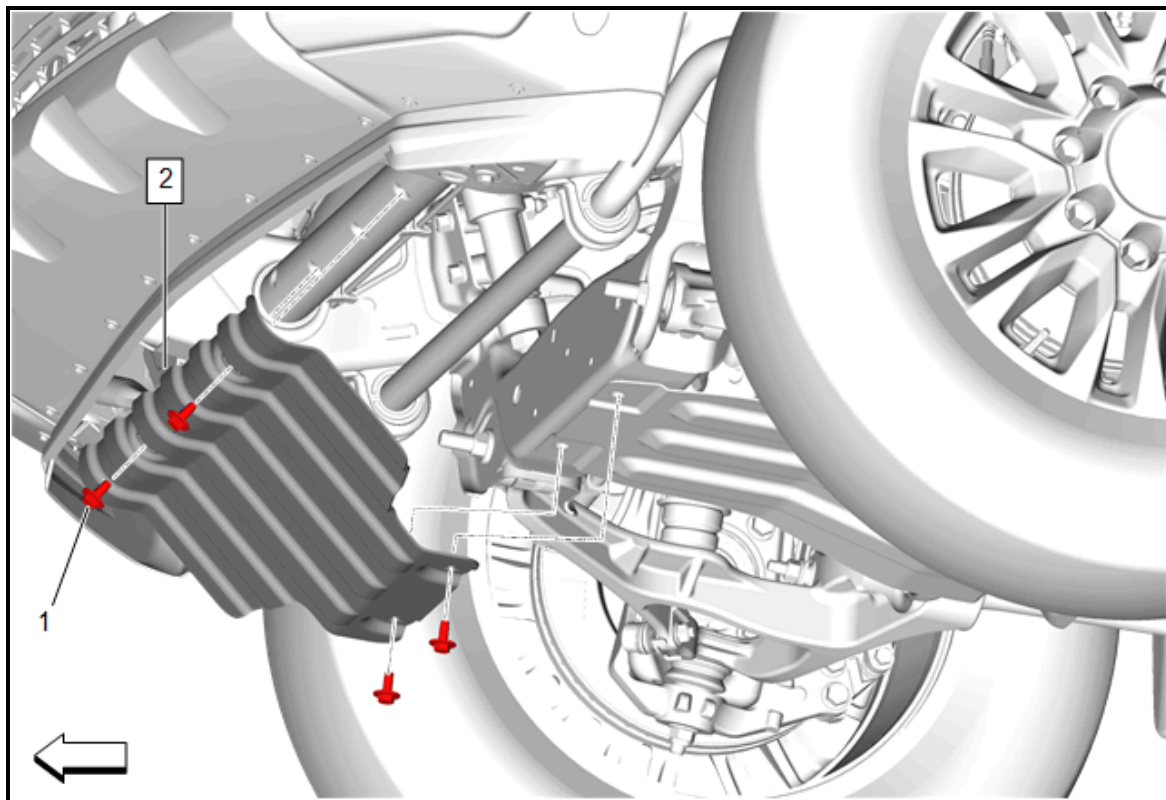
Caution: Refer to [Fastener Caution](#).

3. Front Stabilizer Shaft Bolt (1) » Install and tighten [4x] — [Fastener Specifications](#)



© 2024 General Motors. All rights reserved.

4. Front Stabilizer Shaft Link Nut - Upper (1) » Install and tighten [2x] — [Fastener Specifications](#)



5. Underbody Splash Shield (2) » Install
6. Underbody Splash Shield Bolt (1) » Install and tighten [4x] — [Fastener Specifications](#)
7. Install the front tire and wheel assemblies. [Tire and Wheel Removal and Installation](#)