

Fastener Specifications

Table 1: [Front Brake Caliper Overhaul](#)

Table 2: [Front Brake Corner](#)

Table 3: [Front Brake Hose](#)

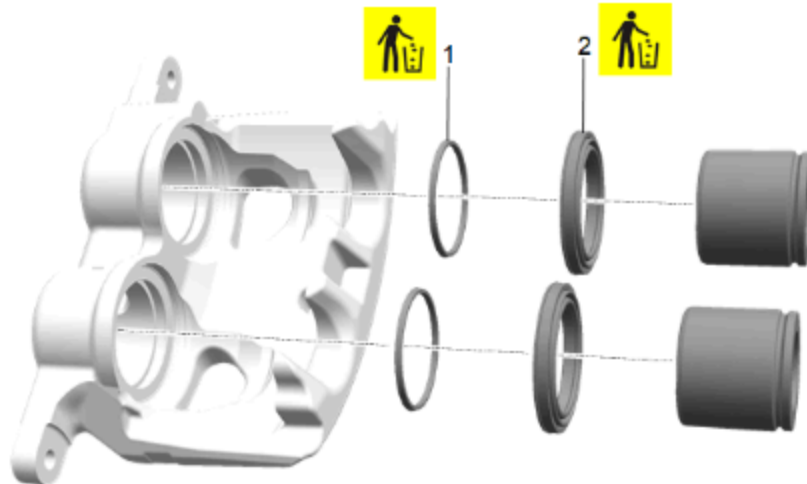
Table 4: [Front Brake Rotor](#)

Table 5: [Rear Brake Caliper Overhaul](#)

Table 6: [Rear Brake Corner](#)

Table 7: [Rear Brake Rotor](#)

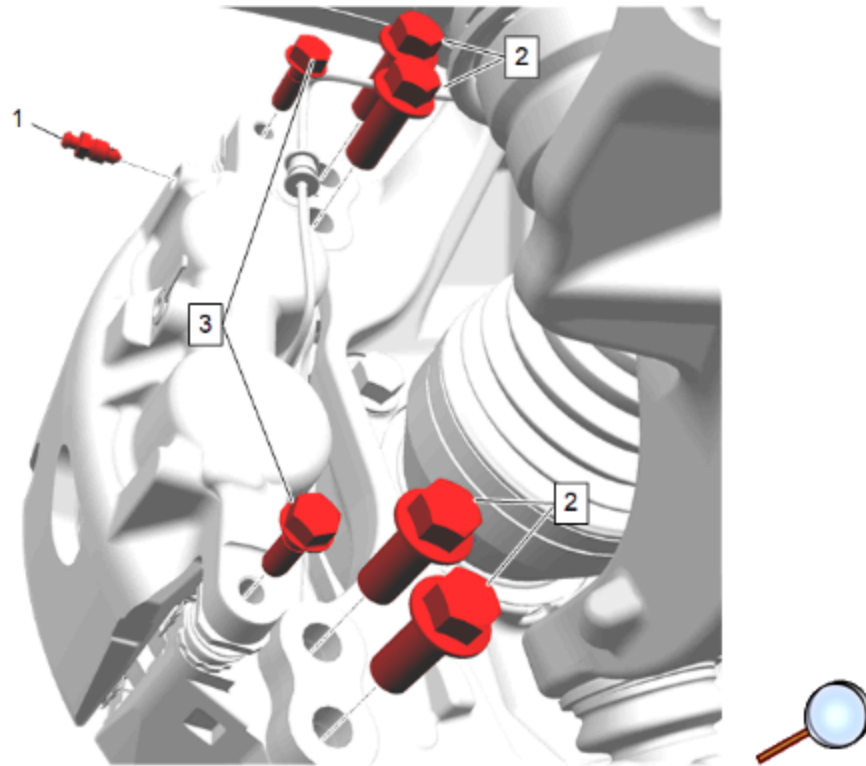
© 2024 General Motors. All rights reserved.



Front Brake Caliper Overhaul

Callout	Component Name	Single Use Fastener/Component	Thread Locking Adhesive Required	Specification	Procedure
				Metric (English)	
1	Front Brake Caliper Piston Seal [2x]	Yes	—	—	Front Brake Caliper Overhaul
2	Front Brake Caliper Piston Boot [2x]	Yes	—	—	Front Brake Caliper Overhaul

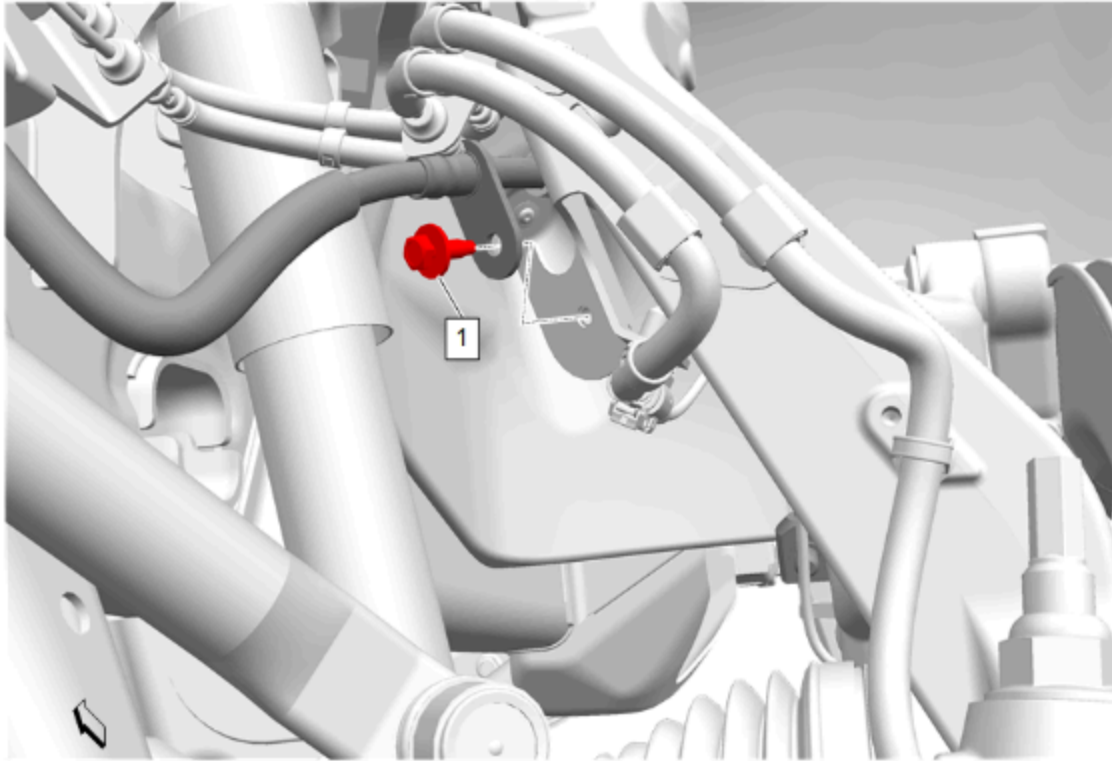
© 2024 General Motors. All rights reserved.



Front Brake Corner

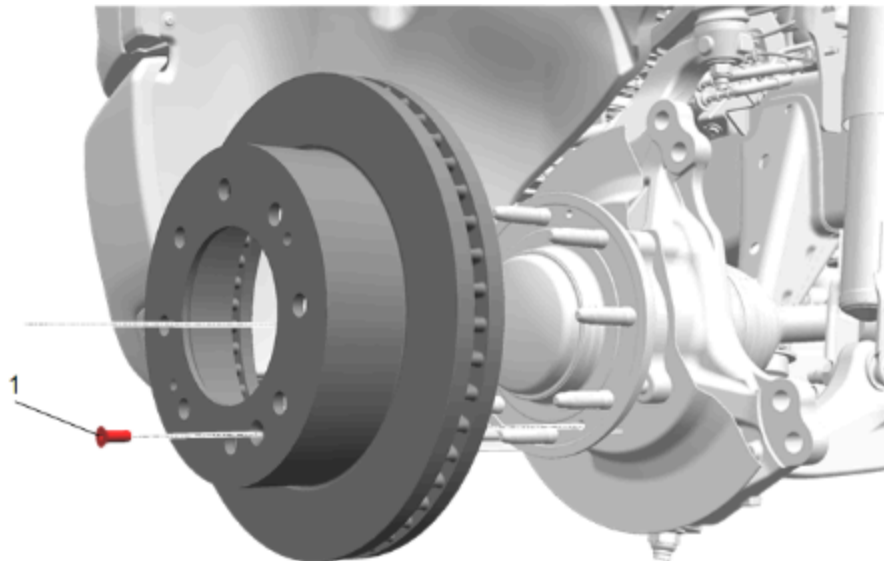
Callout	Component Name	Single Use Fastener/Component	Thread Locking Adhesive Required	Specification	Procedure
				Metric (English)	
1	Front Brake Caliper Bleeder Valve	—	—	11 N•m (97 lb in)	Front Brake Caliper Bleeder Valve Replacement
2	Front Brake Caliper Bracket Bolt [4x]	—	Yes	300 N•m (221 lb ft)	Front Brake Caliper Bracket Replacement
3	Front Brake Caliper Guide Pin Bolt [2x]	—	—	74 N•m (55 lb ft)	Front Brake Caliper Replacement

© 2024 General Motors. All rights reserved.



Front Brake Hose

Callout	Component Name	Single Use Fastener/Component	Thread Locking Adhesive Required	Specification	Procedure
				Metric (English)	
1	Front Brake Hose Bracket Bolt	—	—	9 N•m (80 lb in)	Front Brake Rotor Replacement



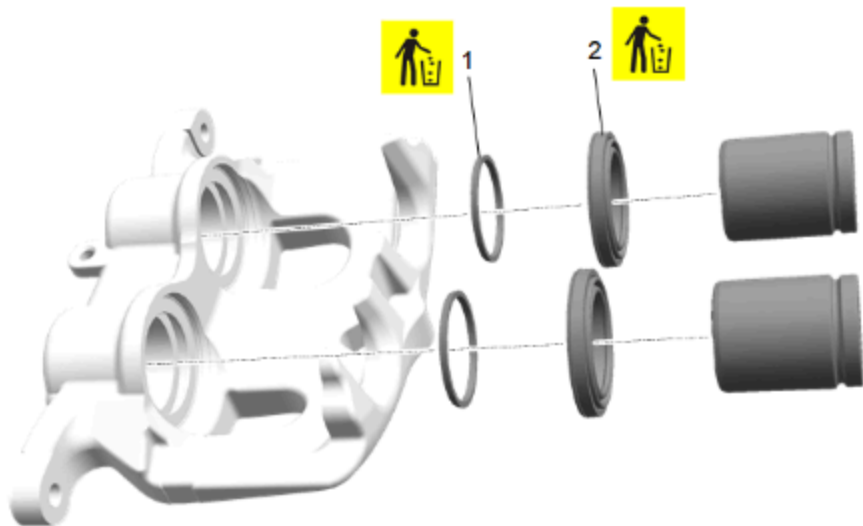
© 2024 General Motors. All rights reserved.



Front Brake Rotor

Callout	Component Name	Single Use Fastener/Component	Thread Locking Adhesive Required	Specification	Procedure
				Metric (English)	
1	Front Brake Rotor Bolt	—	—	25 N•m (18 lb ft)	Front Brake Rotor

Callout	Component Name	Single Use Fastener/Component	Thread Locking Adhesive Required	Specification	Procedure
				Metric (English)	
					Replacement

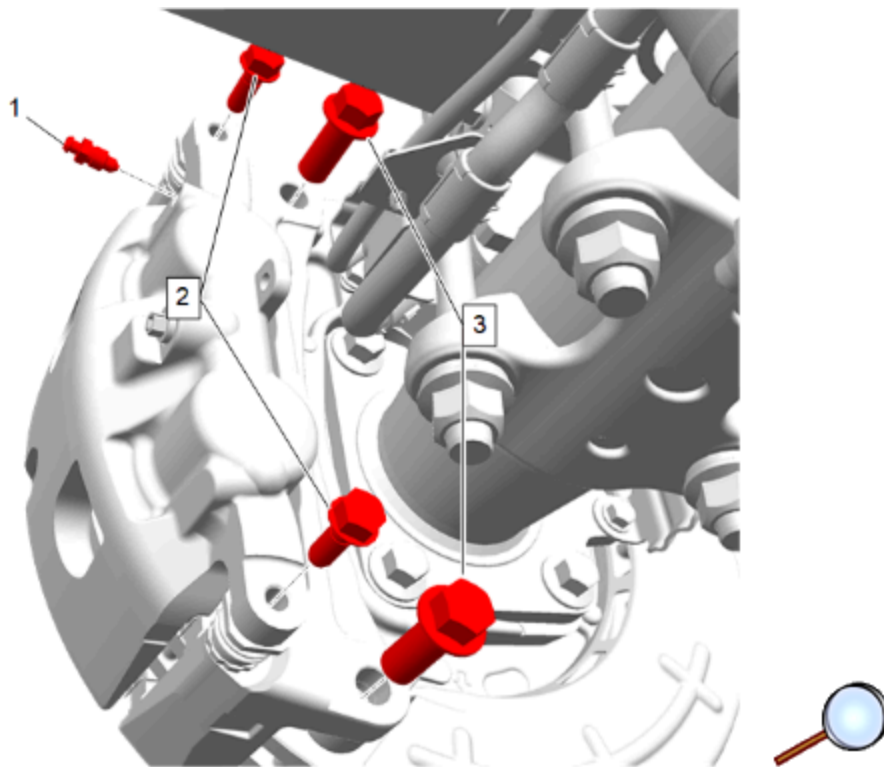


© 2024 General Motors. All rights reserved.

Rear Brake Caliper Overhaul

Callout	Component Name	Single Use Fastener/Component	Thread Locking Adhesive Required	Specification	Procedure
				Metric (English)	
1	Rear Brake Caliper Piston Seal [2x]	Yes	—	—	Rear Brake Caliper Overhaul

Callout	Component Name	Single Use Fastener/Component	Thread Locking Adhesive Required	Specification	Procedure
				Metric (English)	
2	Rear Brake Caliper Piston Boot [2x]	Yes	—	—	Rear Brake Caliper Overhaul



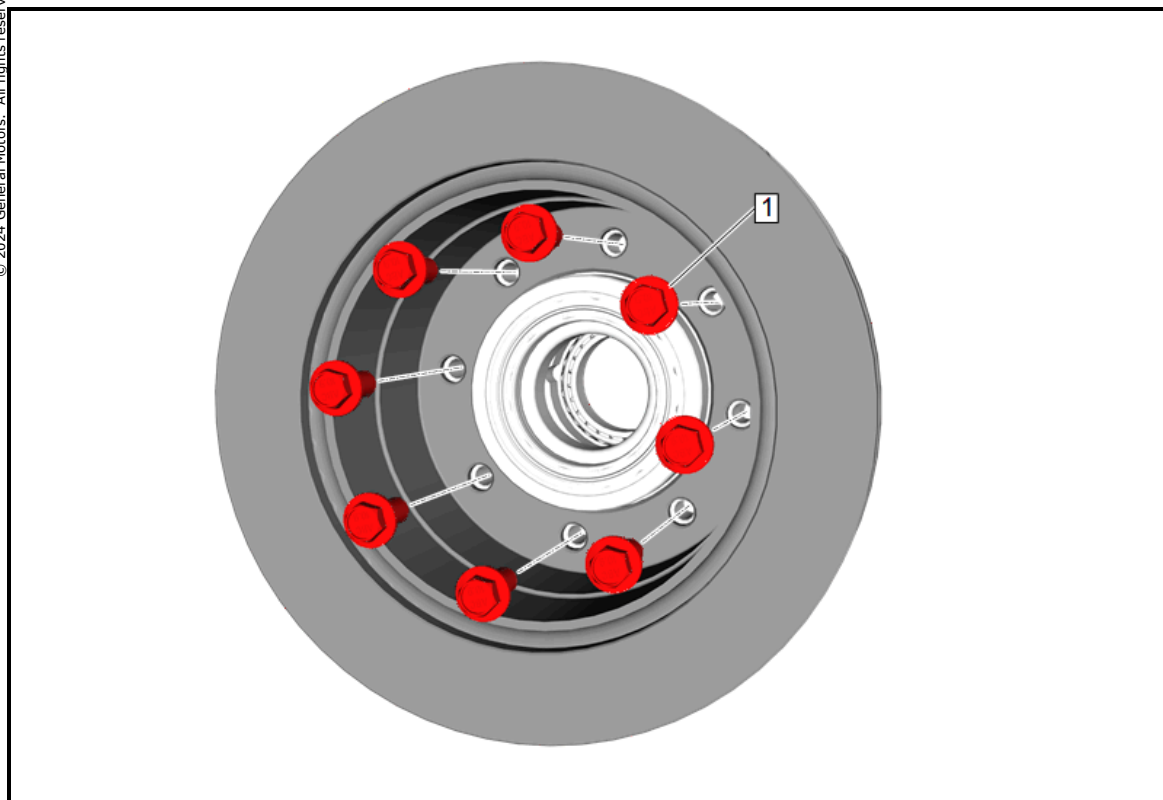
Rear Brake Corner

Callout	Component Name	Single Use Fastener/Component	Thread Locking Adhesive Required	Specification	Procedure
				Metric (English)	
1	Rear Brake Bleeder Valve	—	—	9 N•m (80 lb in)	Rear Brake Bleeder Valve

© 2024 General Motors. All rights reserved.

Callout	Component Name	Single Use Fastener/Component	Thread Locking Adhesive Required	Specification	Procedure
				Metric (English)	
					Replacement
2	Rear Brake Caliper Guide Pin Bolt [2x]	—	—	74 N•m (55 lb ft)	Rear Brake Caliper Replacement
3	Rear Brake Caliper Bracket Bolt [2x]	—	Yes	300 N•m (221 lb ft)	Rear Brake Caliper Bracket Replacement

© 2024 General Motors. All rights reserved.



Rear Brake Rotor

Callout	Component Name	Single Use Fastener/Component	Thread Locking Adhesive Required	Specification	Procedure
				Metric (English)	
1	Rear Brake Rotor Bolt	—	Yes	200 N•m (148 lb ft)	Rear Brake Rotor Replacement