

<- Back

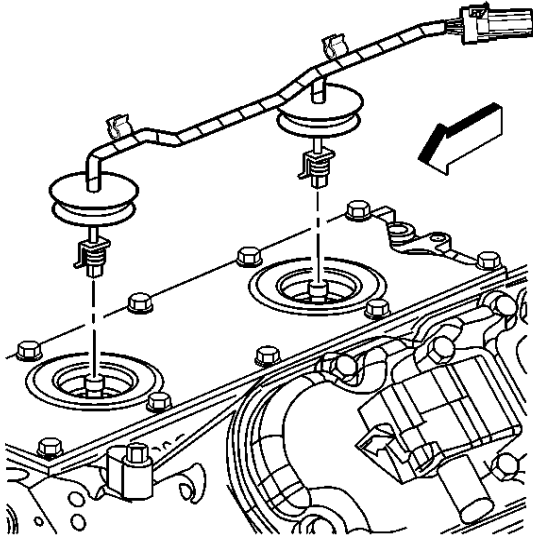
Forward ->

Document ID# 744793
2002 Chevrolet Tahoe - 2WD

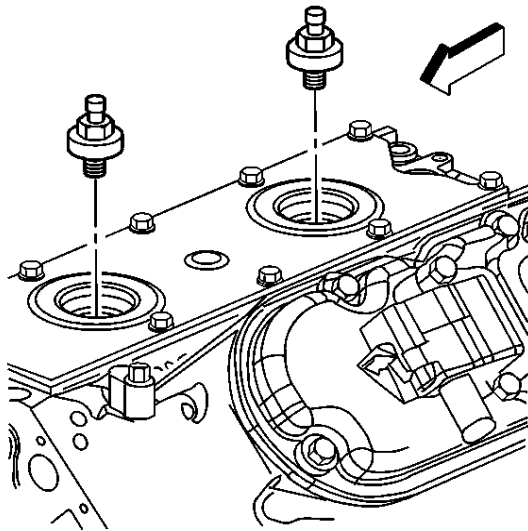
Print

Knock Sensor (KS) Replacement

[Removal Procedure](#)

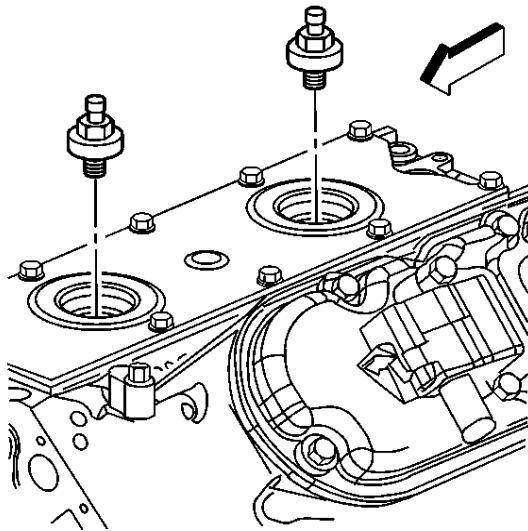


1. Remove the intake manifold. Refer to [Intake Manifold Replacement](#) in Engine Mechanical.
2. Remove the knock sensor wiring harness assembly.



3. Remove the knock sensor (KS).

Installation Procedure



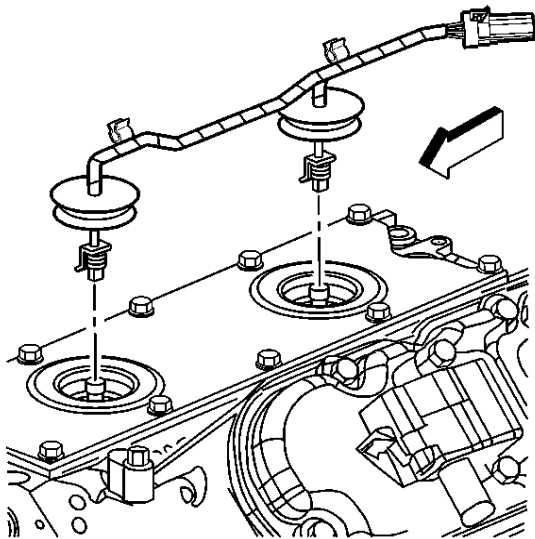
Notice

Use the correct fastener in the correct location. Replacement fasteners must be the correct part number for that application. Fasteners requiring replacement or fasteners requiring the use of thread locking compound or sealant are identified in the service procedure. Do not use paints, lubricants, or corrosion inhibitors on fasteners or fastener joint surfaces unless specified. These coatings affect fastener torque and joint clamping force and may damage the fastener. Use the correct tightening sequence and specifications when installing fasteners in order to avoid damage to parts and systems.

1. Install the knock sensor.

Tighten

Torque the sensor to 20 N·m (15 lb ft).



2. Install the knock sensor wiring harness assembly.
3. Install the intake manifold. Refer to [Intake Manifold Replacement](#) in Engine Mechanical.

<- Back

Forward ->

Document ID# 744793
2002 Chevrolet Tahoe - 2WD

Print