

&lt;- Back

Forward -&gt;

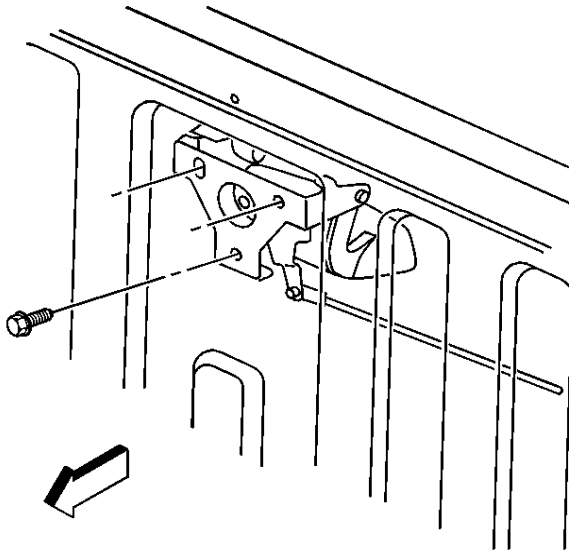
Document ID# 786573  
2003 Chevrolet Chevy C Silverado - 2WD

Print

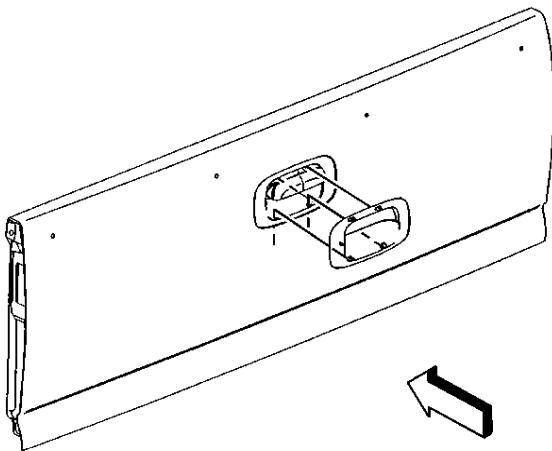
# Latch Replacement - Endgate

## Removal Procedure

1. Lower the endgate.

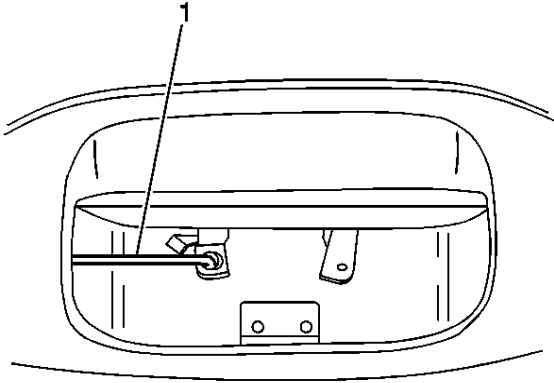


2. Loosen the handle bolts.
3. Raise the endgate.

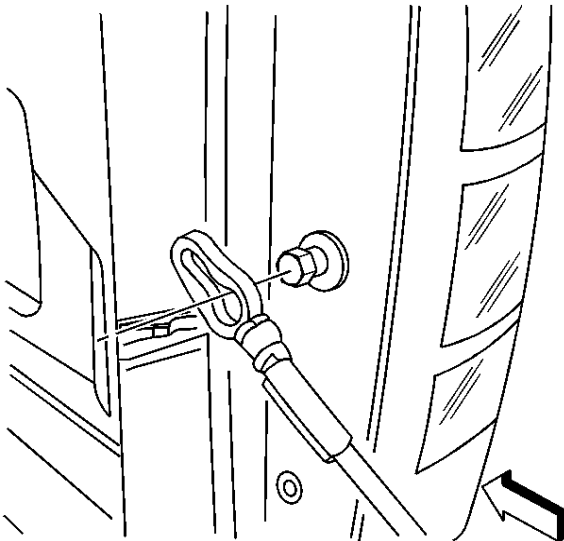




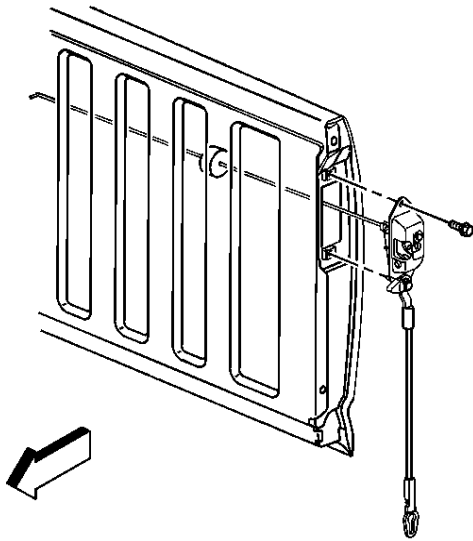
4. Remove the handle bezel by prying gently on the upper retainer tabs.



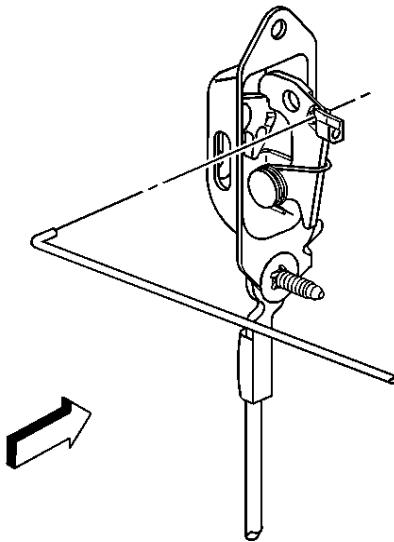
5. Disengage the linkage rods (1).



6. Lower and support the endgate.
7. Remove the cables from the side panel cable retainer bolts.



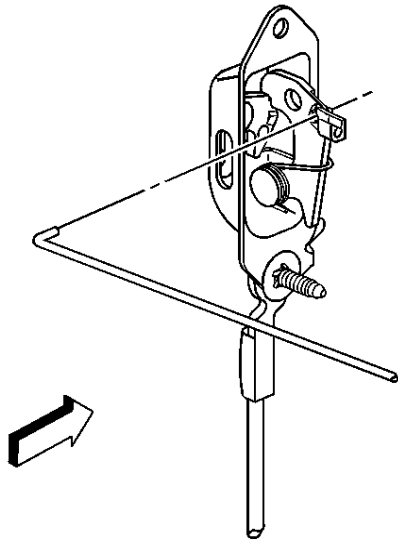
8. Remove the bolt holding the latch assembly.



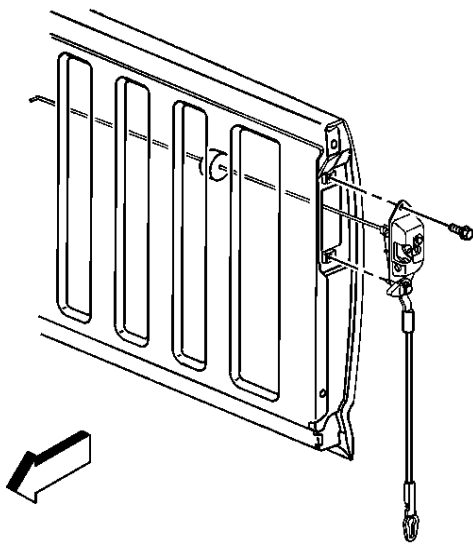
9. Disengage the linkage rod from the latch assembly.

10. Remove the latch assembly from the endgate.

### [Installation Procedure](#)



1. Engage the linkage rod to the latch assembly.
2. Install the latch assembly to the vehicle.



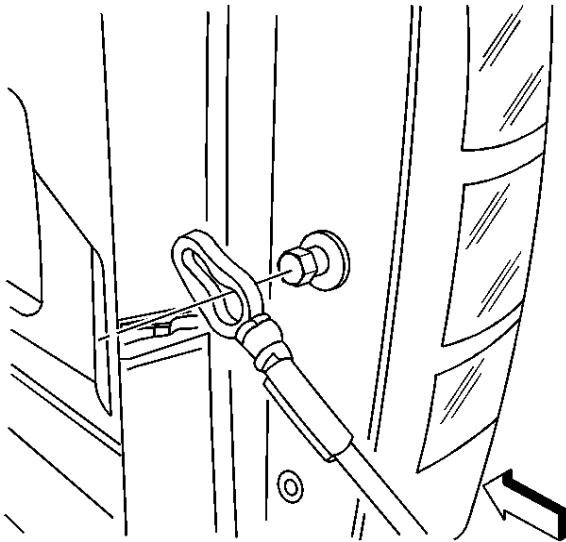
### Notice

Use the correct fastener in the correct location. Replacement fasteners must be the correct part number for that application. Fasteners requiring replacement or fasteners requiring the use of thread locking compound or sealant are identified in the service procedure. Do not use paints, lubricants, or corrosion inhibitors on fasteners or fastener joint surfaces unless specified. These coatings affect fastener torque and joint clamping force and may damage the fastener. Use the correct tightening sequence and specifications when installing fasteners in order to avoid damage to parts and systems.

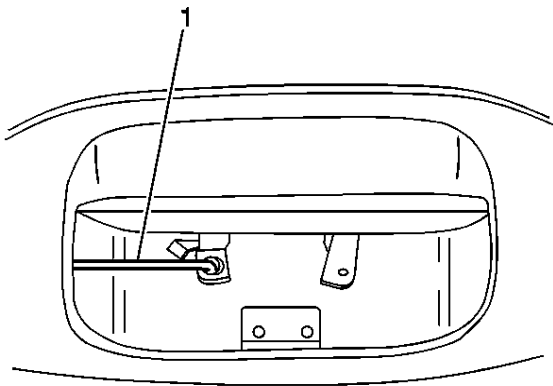
3. Install the latch assembly bolts.

**Tighten**

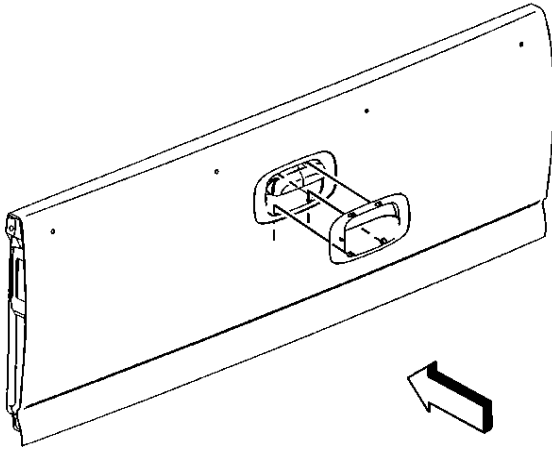
Tighten the bolts to 25 N·m (18 lb ft).



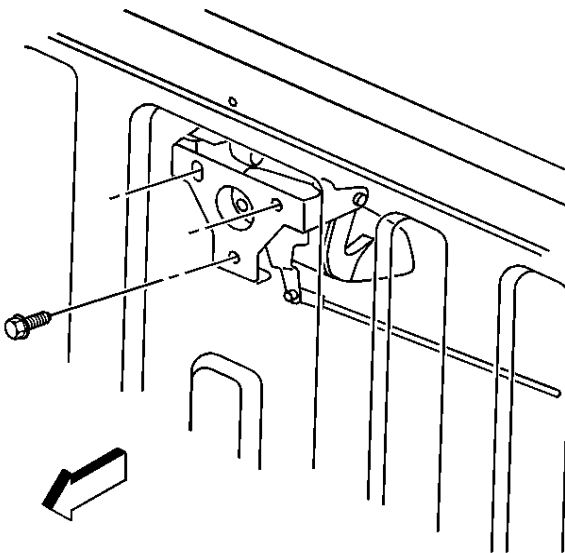
4. Connect the cables on each side of the endgate to the side panel cable retainer bolts.



5. Engage the linkage rods (1).
6. Raise the endgate.



7. Install the endgate handle bezel. Pressing into place until fully seated.



8. Tighten the handle bolts.

**Tighten**

Tighten the bolts to 25 N·m (18 lb ft).

<- Back

Forward ->

Document ID# 786573  
2003 Chevrolet Chevy C Silverado - 2WD

Print