

&lt;- Back

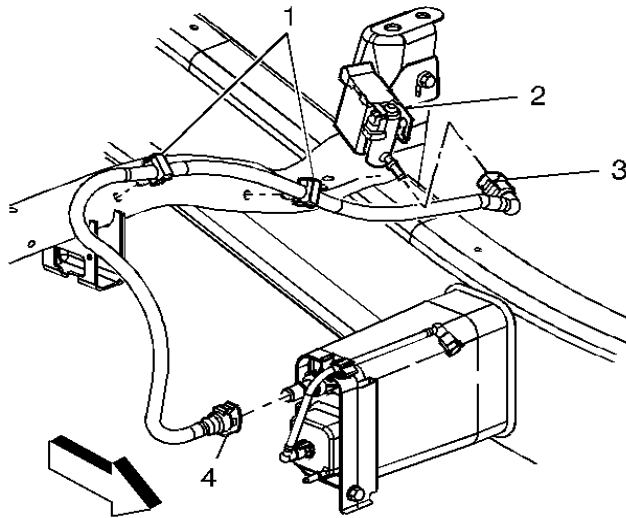
Forward -&gt;

Document ID# 546561  
2000 GMC Truck GMC C Sierra - 2WD

Print

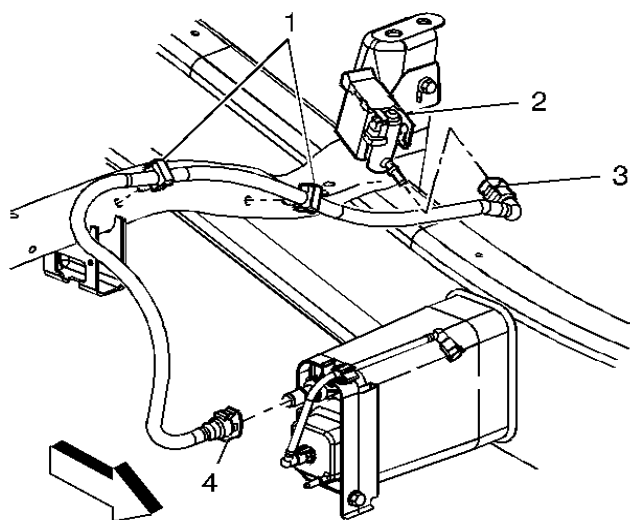
# Evaporative Emission (EVAP) Vent Valve Replacement Pickup

## [Removal Procedure](#)



1. Raise the vehicle. Refer to [Lifting and Jacking the Vehicle](#) in General Information.
2. Remove the evaporative emission (EVAP) canister vent valve bracket mount bolt.
3. Disconnect the EVAP canister vent valve electrical connector.
4. Remove the vent pipe (3) from the EVAP canister vent valve (2).
5. Detach the EVAP canister vent valve (2) from the EVAP canister vent valve bracket.

## [Installation Procedure](#)



1. Install the EVAP canister vent valve (2) to the EVAP canister vent valve bracket.
2. Connect the vent pipe (3) to the EVAP canister vent valve (2).
3. Connect the EVAP canister vent valve electrical connector.

### Notice

Use the correct fastener in the correct location. Replacement fasteners must be the correct part number for that application. Fasteners requiring replacement or fasteners requiring the use of thread locking compound or sealant are identified in the service procedure. Do not use paints, lubricants, or corrosion inhibitors on fasteners or fastener joint surfaces unless specified. These coatings affect fastener torque and joint clamping force and may damage the fastener. Use the correct tightening sequence and specifications when installing fasteners in order to avoid damage to parts and systems.

4. Install the EVAP canister vent valve bracket mount bolt.

### Tighten

Tighten the bracket bolt to 12 N·m (106 lb in)

5. Lower the vehicle.

[<- Back](#)[Forward ->](#)

Document ID# 546561  
2000 GMC Truck GMC C Sierra - 2WD

[Print](#)