

Document ID# 789248

<- Back

Forward ->

2002 Chevrolet Chevy K Silverado - 4WD
2GCEK19T221230343

Print

Park Brake Adjustment

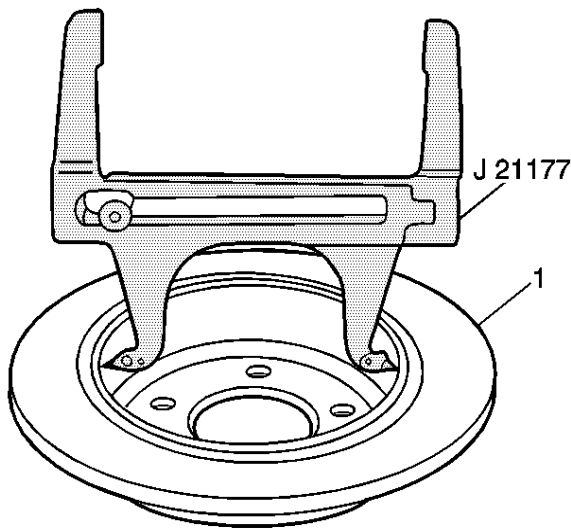
[Park Brake Shoe Adjustment](#)

Tools Required

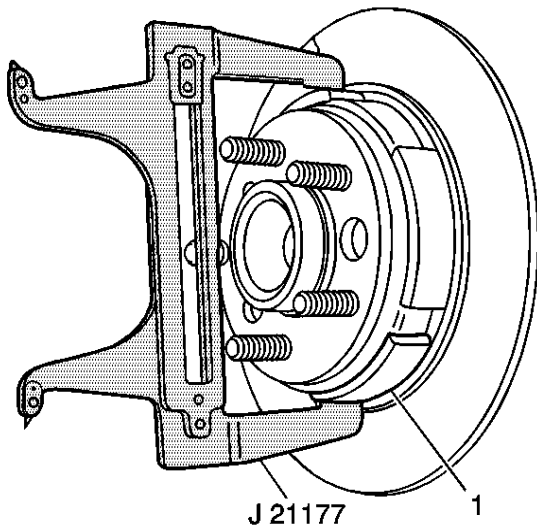
[J 21177-A](#) Drum-to-Brake Shoe Clearance Gage

Important

The park brake shoes must be adjusted before the park brake pedal is adjusted.



1. Set the [J 21177-A](#) so that it contacts the inside diameter of the rotor.



2. Position the [J 21177-A](#) over the shoe and the lining at the widest point.
3. Turn the adjuster nut until the lining just contacts the [J 21177-A](#).
4. Repeat steps 1-3 for the opposite side.
5. The clearance between the park brake shoe and the rotor is 0.6604 mm (0.026 in).

[Park Brake Pedal Adjustment](#)

Important

Before you adjust the park brake, verify that the park brake shoes are adjusted to provide a clearance of 0.6604 mm (0.026 in).

1. Verify that the self adjuster lock-out pin has been removed.
2. Fully apply and release the park brake pedal 3 times.

[-< Back](#)[Forward ->](#)

Document ID# 789248
2002 Chevrolet Chevy K Silverado - 4WD
2GCEK19T221230343

[Print](#)