

<- Back

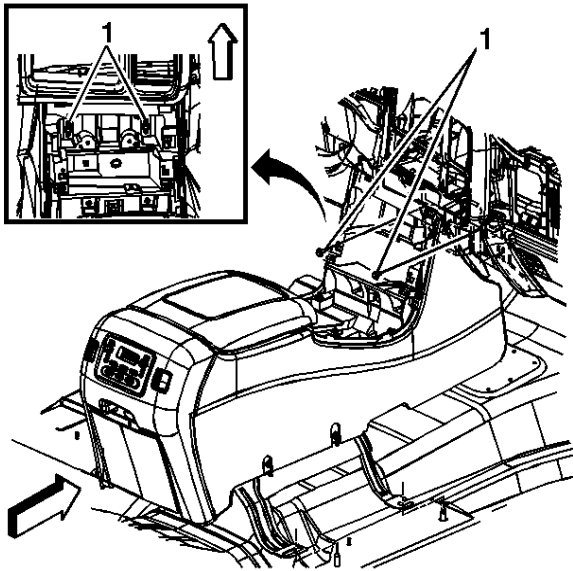
Forward ->

Document ID# 1214867
2005 GMC Truck GMC C Sierra - 2WD

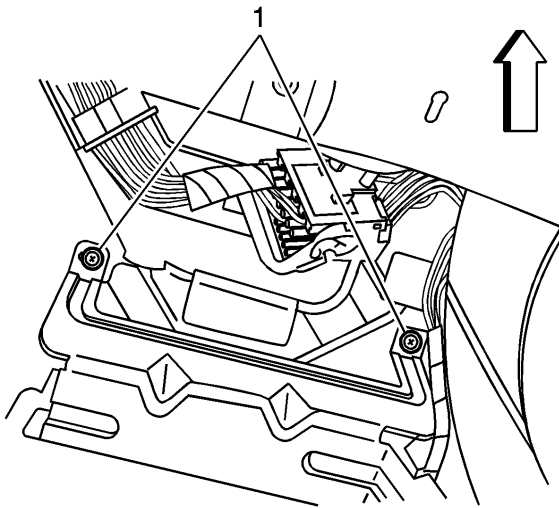
Print

Console Replacement w/o Console Mounting Bracket

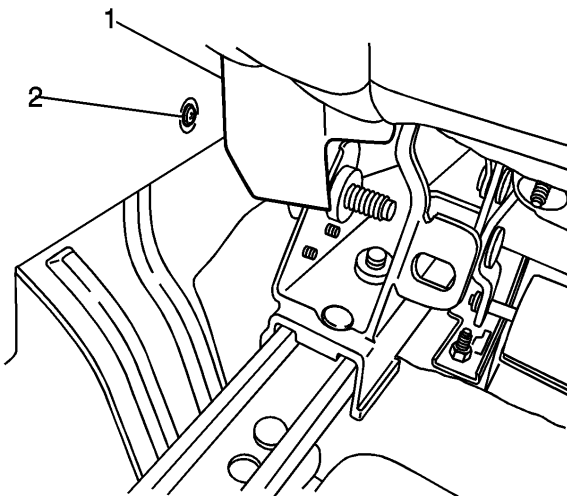
[Removal Procedure](#)



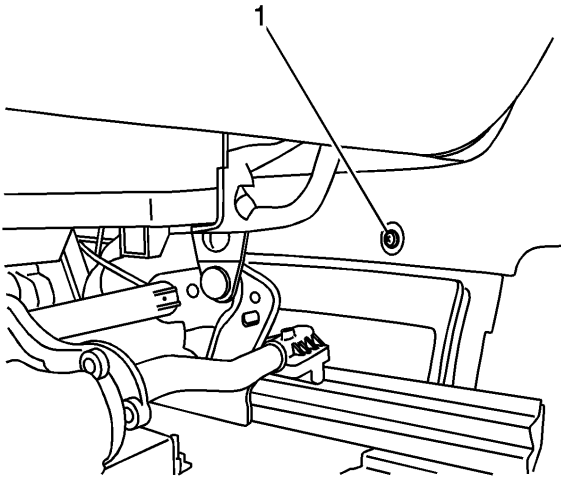
1. If equipped with a Bose® amplifier, remove the radio amp fuse located under the hood electrical center. Refer to [Electrical Center Identification Views](#) in Wiring Systems.
2. Remove the floor console bezel. Refer to [Bezel Replacement - Floor Console](#).
3. Remove the cupholder. Refer to [Cupholder Replacement](#).
4. Remove the bolts (1) retaining the console to the I/P.
5. Remove the console storage bin. Refer to [Console Storage Bin Replacement](#).
6. Remove the center console end panel. Refer to [Center Console End Panel Replacement](#).



7. Remove the 4 screws retaining the upper console bracket to the lower console bracket. The front 2 screws (1) are shown in the graphic.

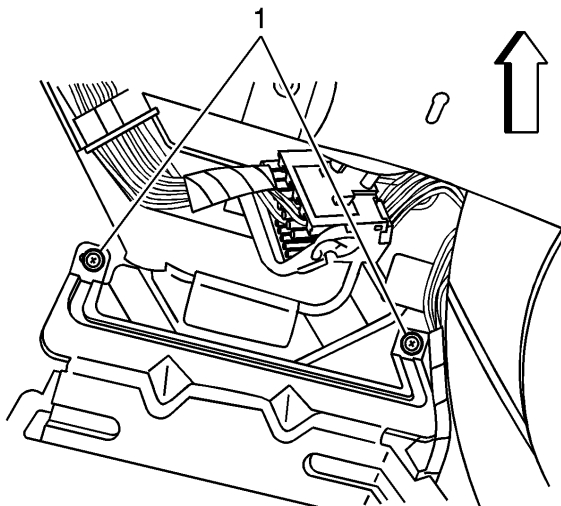


8. Move both front seats to the fully forward.
9. Reposition the inboard seat track trim (1) in order to gain access to the rear console side panel screw (2).
10. Remove both rear console side panel screws.



11. Move both front seats to the fully rearward.
12. Remove both front console side panel screws (1).
13. Disconnect the floor console electrical connector.
14. Remove the console assembly from the vehicle.

Installation Procedure



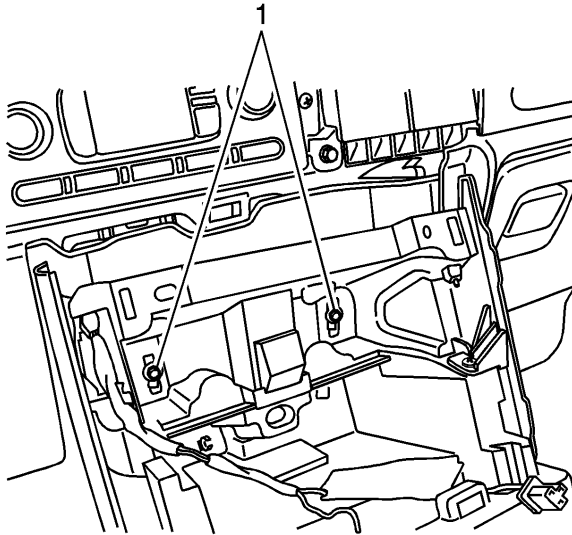
1. Install the floor console.
2. Connect the floor console electrical connector.

Notice

Refer to [Fastener Notice](#) in Cautions and Notices.

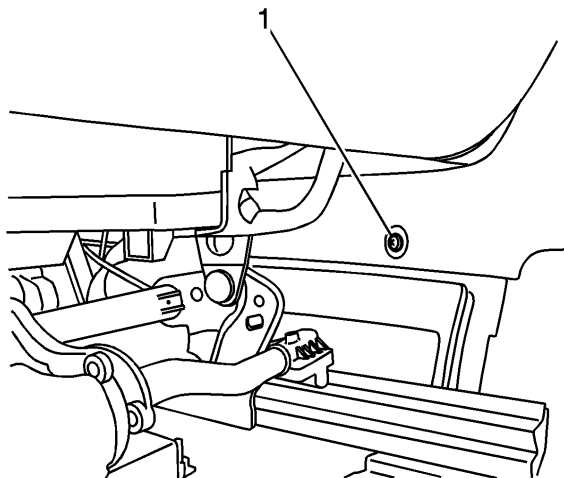
3. Install the screws (1) that retain the upper console bracket to the lower console bracket.
Tighten

Tighten the retaining screws to 2 N·m (18 lb in).



4. Install the bolts (1) retaining the console to the I/P.
Tighten

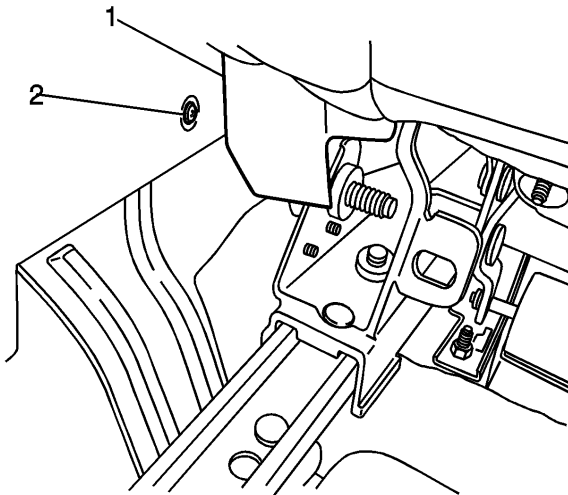
Tighten the bolts to 4 N·m (35 lb in).



5. Install both front console side panel screws (1).

Tighten

Tighten the screws to 2 N·m (18 lb in).



6. Move both front seats to the fully forward.
7. Install both rear console side panel screws (2).

Tighten

Tighten the retaining screws to 2 N·m (18 lb in).

8. Reposition the inboard seat track trim (1).
9. Connect the floor console electrical connector.
10. Install the center console end panel. Refer to [Center Console End Panel Replacement](#) .
11. Install the console storage bin. Refer to [Console Storage Bin Replacement](#) .
12. Install the cupholder to the console. Refer to [Cupholder Replacement](#) .
13. Install the upper console bezel. Refer to [Bezel Replacement - Floor Console](#) .
14. Install the radio amp fuse. Refer to [Electrical Center Identification Views](#) in Wiring Systems.

[<- Back](#)[Forward ->](#)

Document ID# 1214867
2005 GMC Truck GMC C Sierra - 2WD

[Print](#)