

<- Back

Forward ->

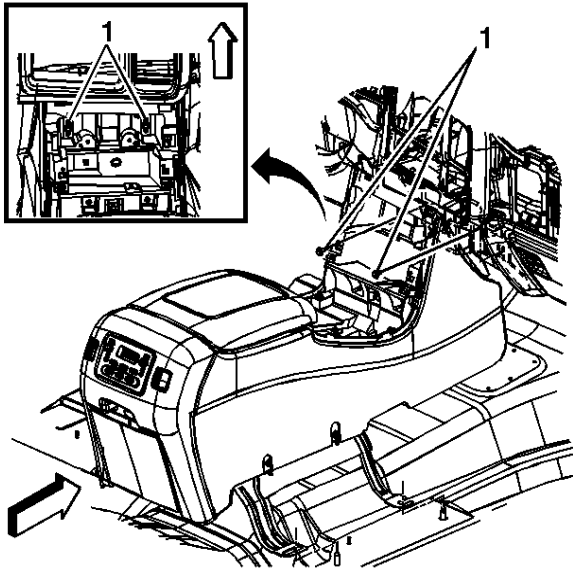
Document ID# 855719
2005 GMC Truck GMC C Sierra - 2WD

Print

Console Replacement w/Console Mounting Bracket

Removal Procedure

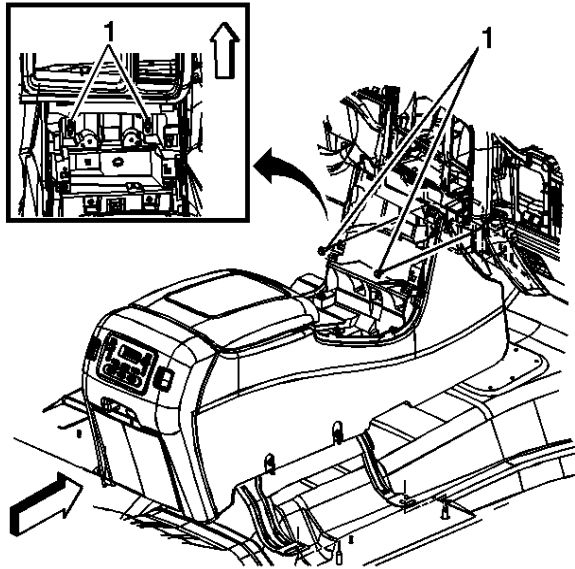
1. Remove both front seats. Refer to [Seat Replacement - Front Bucket](#) in Seats.
2. If equipped with a Bose® amplifier, remove the radio amp fuse located under the hood electrical center. Refer to [Electrical Center Identification Views](#) in Wiring Systems.
3. Remove the upper console bezel. Refer to [Bezel Replacement - Floor Console](#).
4. Remove the cupholder. Refer to [Cupholder Replacement](#).



5. Remove the screws (1) retaining the console to the I/P.
6. Disconnect the wire connectors.
7. Remove the console assembly from the vehicle.
8. Remove the rear seat audio control from the console, if equipped. Refer to [Audio Control Replacement - Rear Seat](#) in Entertainment.

Installation Procedure

1. Install the rear seat audio control to the console, if equipped. Refer to [Audio Control Replacement - Rear Seat](#) in Entertainment.



2. Install the console in the vehicle.
3. Connect the wire connectors.
4. Move the console forward in order to install the retaining screws.

Notice

Refer to [Fastener Notice](#) in Cautions and Notices.

5. Install the 2 screws (1).

Tighten

Tighten the screws to 4 N·m (35 lb in).

6. Install the cupholder to the console. Refer to [Cupholder Replacement](#) .
7. Install the upper console bezel. Refer to [Bezel Replacement - Floor Console](#) .
8. Install the radio amp fuse, if removed. Refer to [Electrical Center Identification Views](#) in Wiring Systems.
9. Install both front seats. Refer to [Seat Replacement - Front Bucket](#) in Seats.

<- Back

Forward ->

Document ID# 855719
2005 GMC Truck GMC C Sierra - 2WD

Print