

&lt;- Back

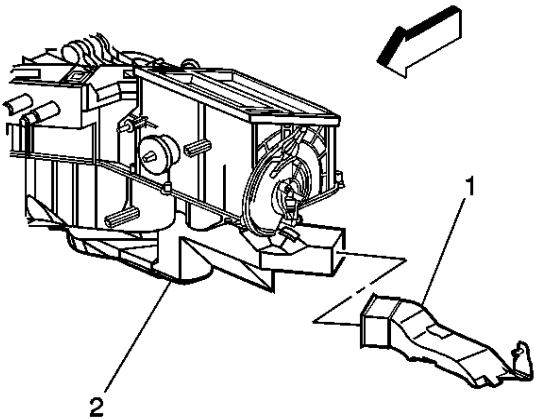
Forward -&gt;

Document ID# 746271  
2000 GMC Truck GMC C Sierra - 2WD

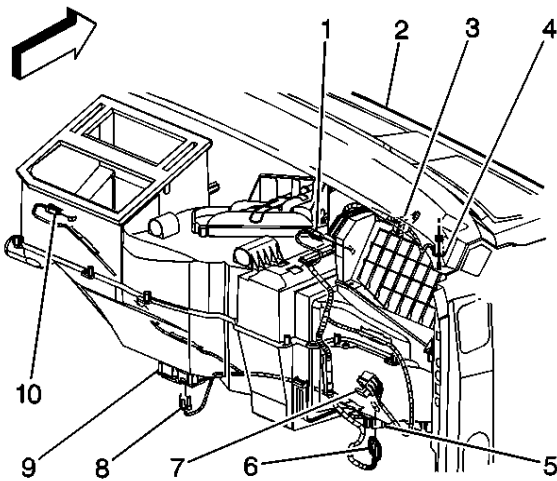
Print

# Mode Actuator Replacement W/O D07

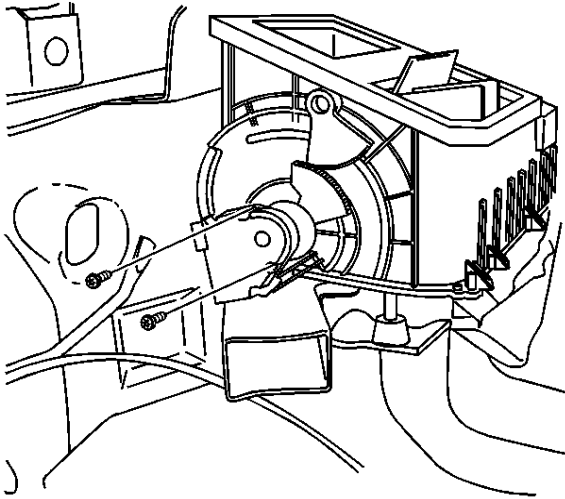
## Removal Procedure



1. Remove the floor air outlet duct extension (1) from the floor duct (2).

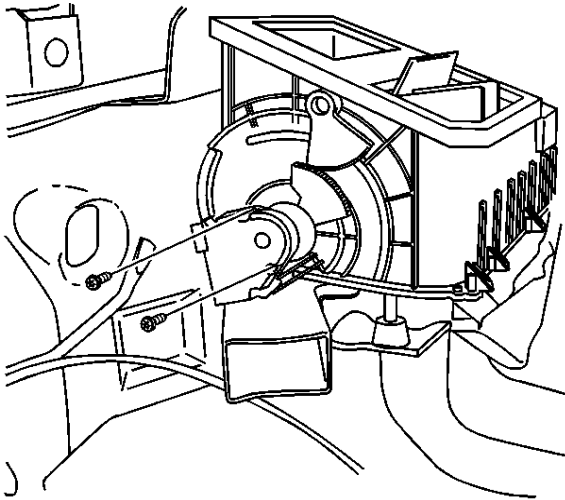


2. Disconnect the electrical connection at the mode actuator (10).



3. Remove the mode actuator mounting screws from the HVAC module.
4. Remove the mode actuator as an assembly with the actuator cam.

### Installation Procedure



1. Install the mode actuator as an assembly with the actuator cam.
  1. Line up the heater/defroster valve lever with the mode actuator cam slot.
  2. Line up the A/C valve lever with the mode actuator cam.

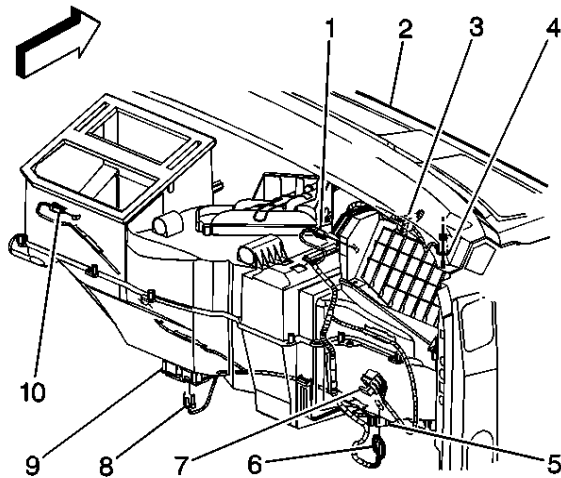
### **Notice**

Use the correct fastener in the correct location. Replacement fasteners must be the correct part number for that application. Fasteners requiring replacement or fasteners requiring the use of thread locking compound or sealant are identified in the service procedure. Do not use paints, lubricants, or corrosion inhibitors on fasteners or fastener joint surfaces unless specified. These coatings affect fastener torque and joint clamping force and may damage the fastener. Use the correct tightening sequence and specifications when installing fasteners in order to avoid damage to parts and systems.

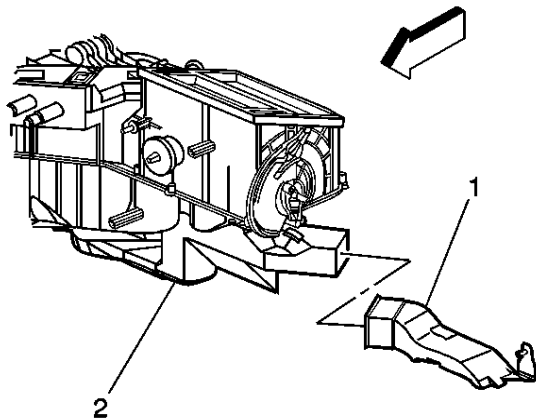
2. Install the mode actuator mounting screw to the HVAC module.

### **Tighten**

Tighten the screw to 1.6 N·m (14 lb in).



3. Connect the electrical connection at the mode actuator (10).





4. Install the floor air outlet duct extension (1) to the floor air duct (2).

---

[<- Back](#)

[Forward ->](#)

**Document ID# 746271**  
**2000 GMC Truck GMC C Sierra - 2WD**

[Print](#)