

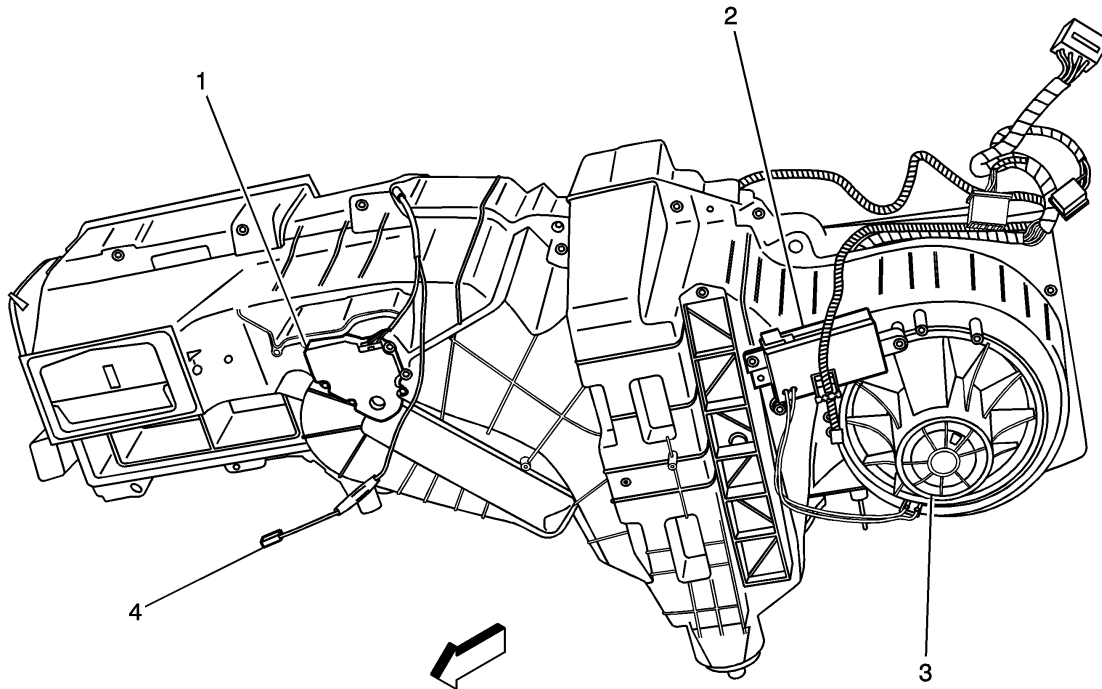
<- Back

Forward ->

Document ID# 922531
2005 Chevrolet Chevy K Silverado - 4WD

Print

FIGURE HVAC Module Assembly - Bottom(c)



- (1) Air Temperature Actuator - Left
- (2) Blower Motor Control Processor
- (3) Blower Motor
- (4) Air Temperature Sensor Connector - Lower Right

<- Back

Forward ->

Document ID# 922531
2005 Chevrolet Chevy K Silverado - 4WD

Print