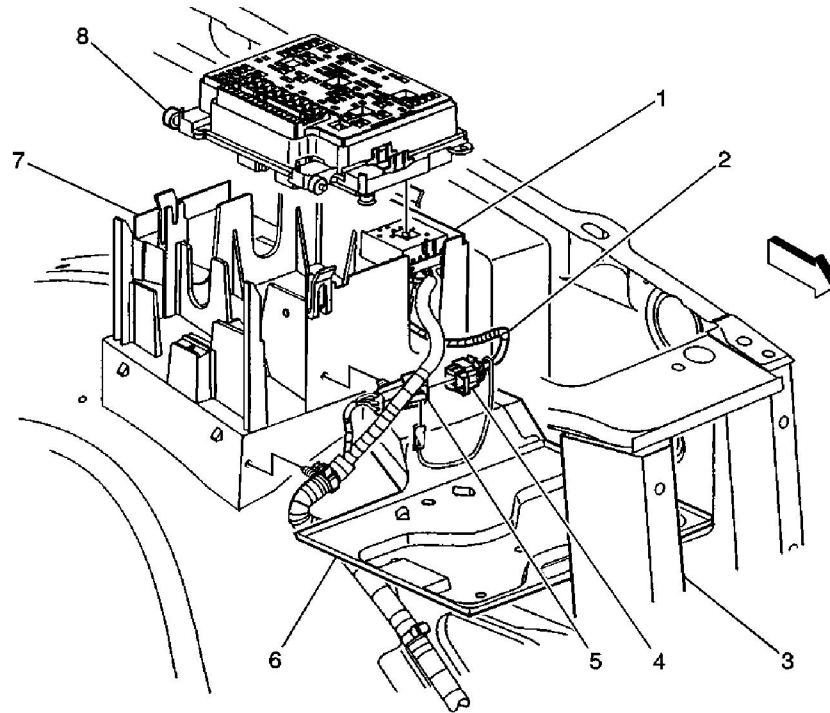


Fuse Block-Underhood



- (1) Fuse Block-Underhood Bracket
- (2) I/P Harness
- (3) Radiator Support
- (4) Inline Connector C103 or C104-I/P Harness Side
- (5) Inline Connector C103 or C104-Forward Lamp Harness Side
- (6) LH Battery Tray
- (7) Fuse Block-Underhood Bracket
- (8) Fuse Block-Underhood Bracket