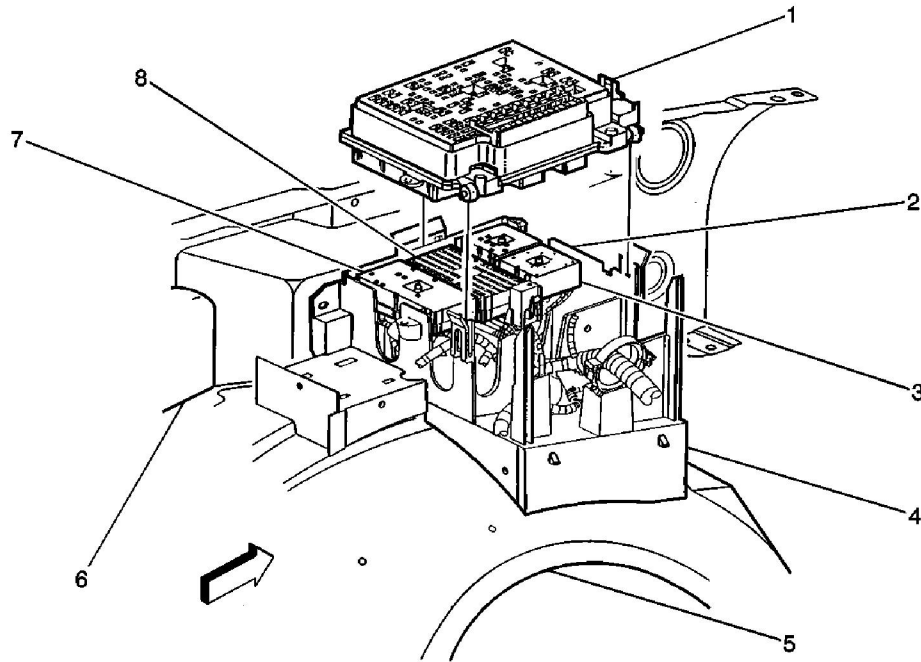


Fuse Block-Underhood Connectors



- (1) Fuse Block-Underhood
- (2) C4 (GRN)
- (3) C3 (RED)
- (4) Fuse Block-Underhood Bracket
- (5) LH Inner Fender (Shield)
- (6) LH Inner Fender
- (7) C1 (LT GRY)
- (8) C2 (BLK)