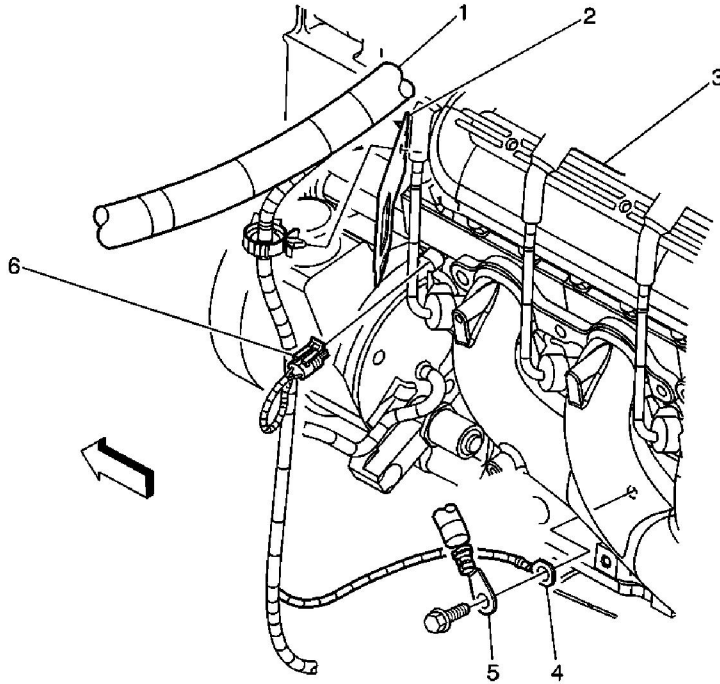


Lower Left Side of the Engine Components (4.8L/5.3L/6.0L)



- (1) Engine Harness
- (2) Battery Cable Junction Block Bracket
- (3) LH Rocker Cover
- (4) Ground 105 (G105)
- (5) Negative Battery Cable
- (6) Engine Coolant Temperature (ECT) Sensor Connector