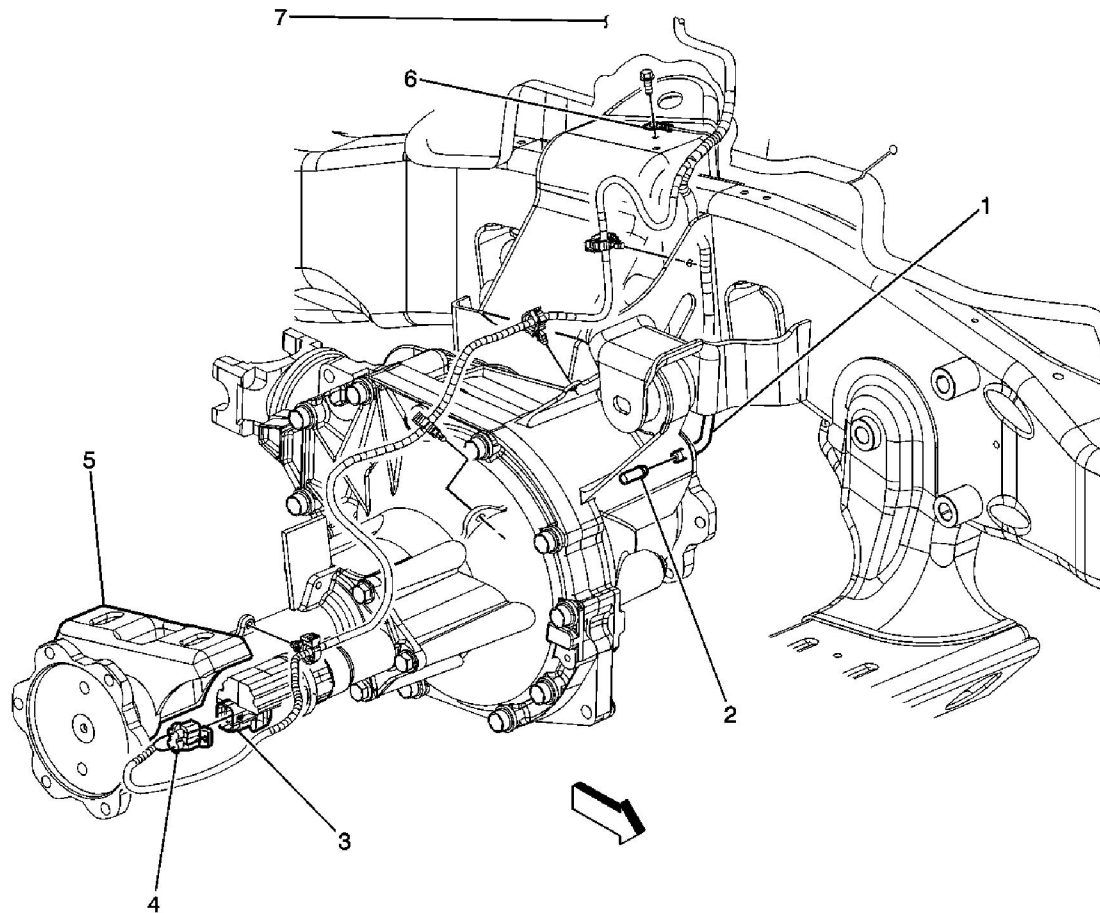


Transfer Case Harness Routing (1500 Series)



- (1) Vent Tube
- (2) Vent Tube Connection
- (3) Front Axle Actuator
- (4) Front Axle Actuator Connector
- (5) Front Drive Axle Assembly (Mount)
- (6) Ground 110 (G110)
- (7) Left Inner Fender