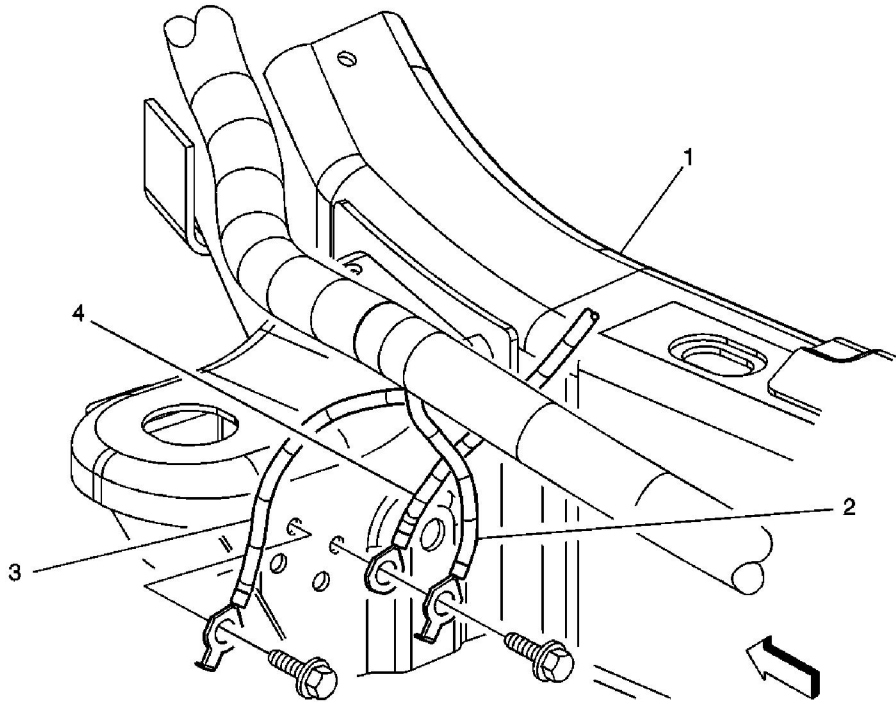


## Left Side Frame Rail -- Grounds



- (1) Frame
- (2) Electronic Brake Control Module (EBCM) Ground (GNO)
- (3) Manual Selectable Ride Ground (G302)
- (4) Automatic Transfer Case/ABS Ground (G110)