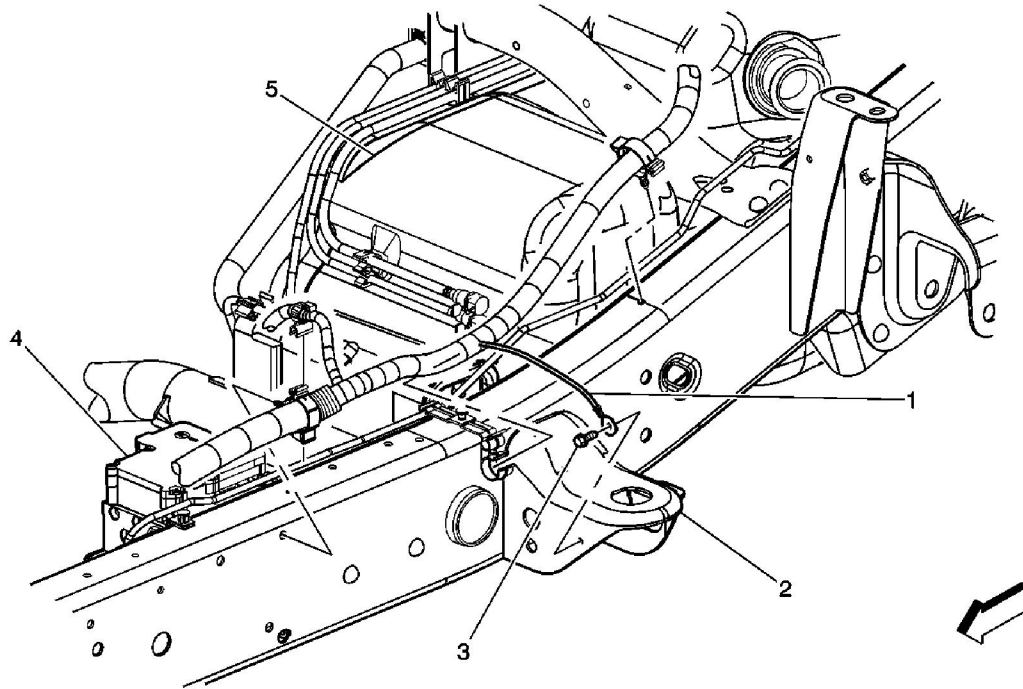


## Left Side Frame Rail -- Brake Components



- (1) Ground 302 (G302)
- (2) LH Body Mount
- (3) Ground Screw
- (4) Electronic Brake Control Module (EBCM)
- (5) Fuel Tank