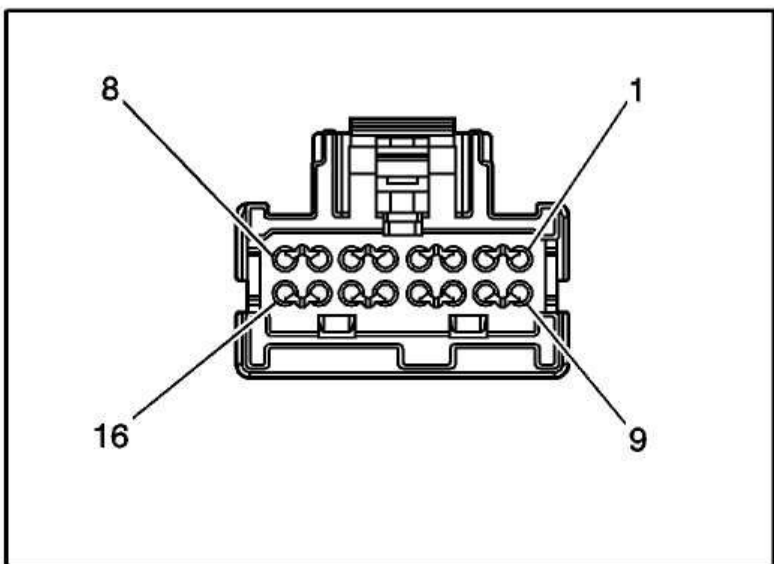


[ [Close Window](#) ] [ [Print Window](#) ]

## Digital Radio Receiver - With RPO Code U2K/U2L - Part 1

**Digital Radio Receiver – w/ U2K/U2L**



<b>Connector Part Information</b>	<ul style="list-style-type: none"> <li>• 15394150</li> <li>• 16-Way F Micro 64 (BLK)</li> </ul>
-----------------------------------	---

Pin	Wire Color	Circuit No.	Function
1	—	—	Not Used
2	BRN/W HT	367	Remote Playback Device Left Audio Signal
3	DK GRN/W HT	368	Remote Playback Device Right Audio Signal
4-6	—	—	Not Used
7	LT GRN	2271	ADG Class 2 Serial Data