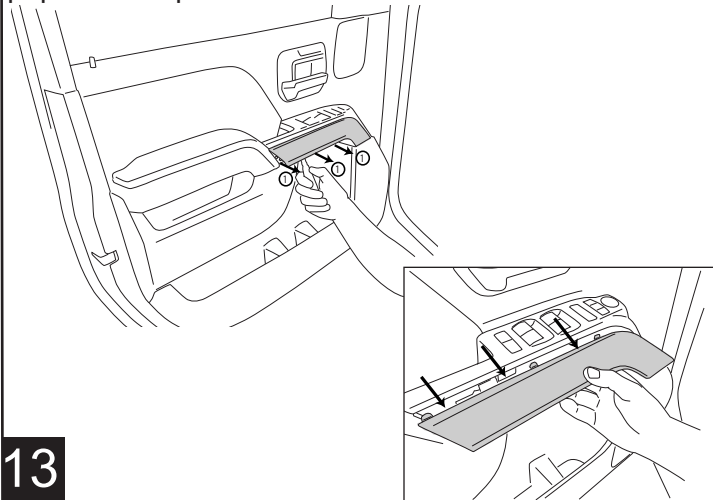


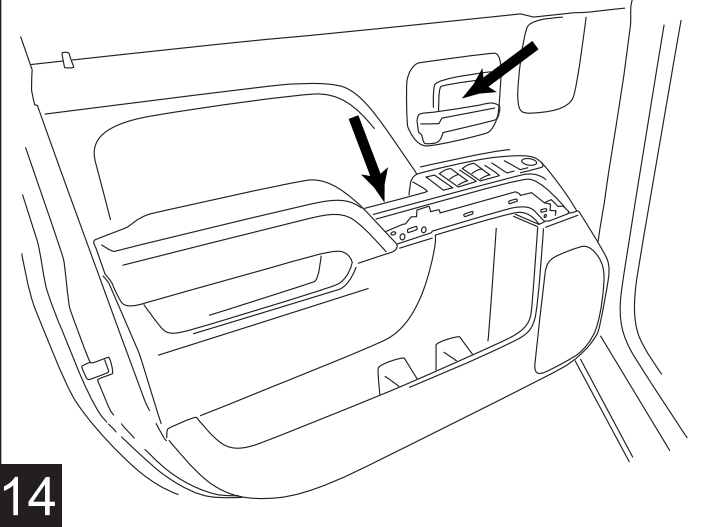
**Steps 13-30 are for Front Door Wiring.**

**FRONT DOOR WIRING:** Pop cover plate off. Work your way across the bottom of cover. Once bottom is popped loose pull down and out.



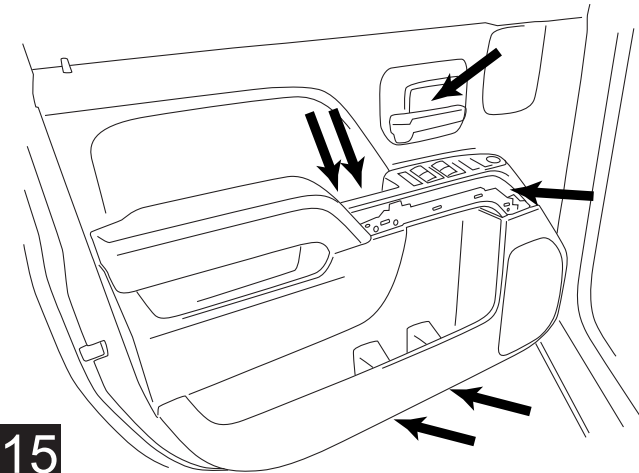
**13**

Remove Front door Cover plates behind door handle and in bottom of grab handle to access mounting



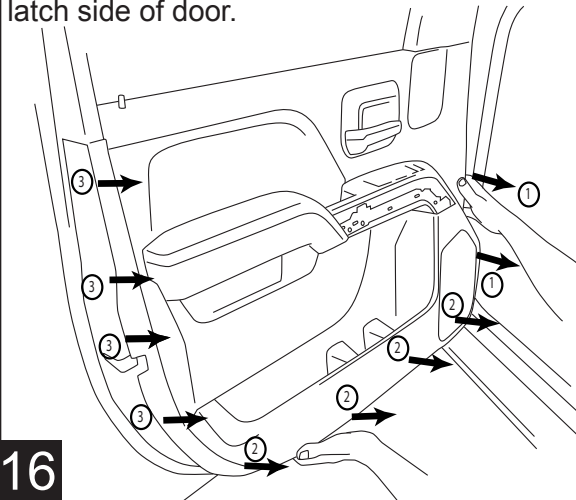
**14**

Using a 7mm socket remove the 6 screws that secure the door panel in place.



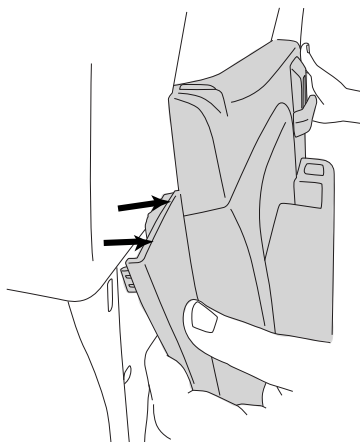
**15**

Pry all panel fasteners loose. Start at door hinge side and work your way around the bottom and towards latch side of door.



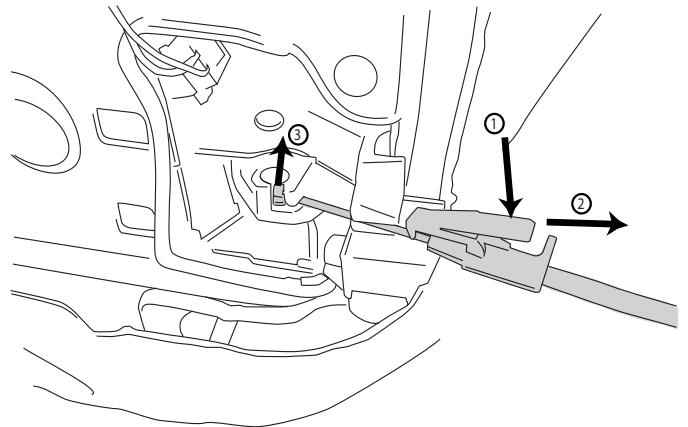
**16**

Once panel pins are out lift up on panel. Lift panel up and off of door.



**17**

Remove door latch cable from door panel.



**18**