

&lt;- Back

Forward -&gt;

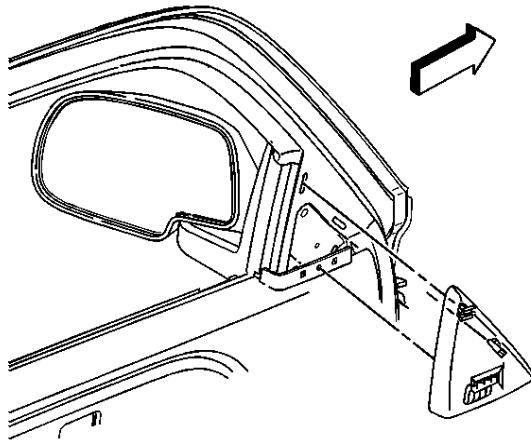
Document ID# 536775  
2003 Chevrolet Chevy Suburban - 2WD

Print

# Trim Panel Replacement - Upper Extension

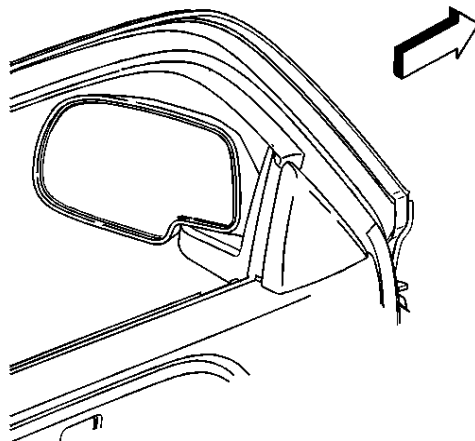
## Removal Procedure

1. Open the front door.



2. Release the upper extension by pulling outward on the front edge in order to release the upper retainer clips.
3. Remove the upper extension from the trim panel by lifting up and out.

## Installation Procedure





1. Position the lower retainer to the trim panel.
2. Align the upper retainer clips to the door frame.
3. Press inward on the upper extension until the clips fully engage securing the panel to the door.

---

[<- Back](#)[Forward ->](#)

**Document ID# 536775**  
**2003 Chevrolet Chevy Suburban - 2WD**

[Print](#)