

Document ID: 4174686

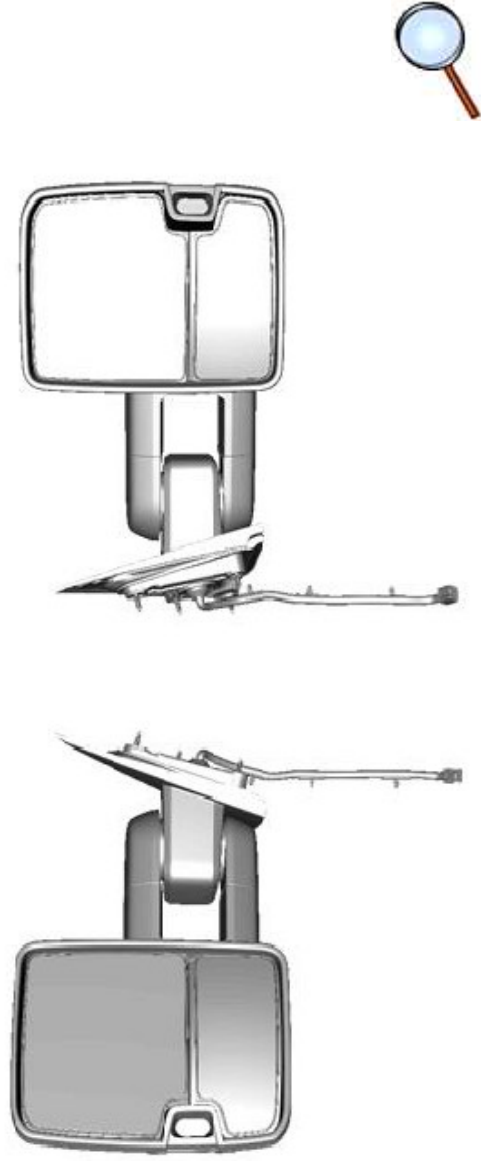
# [WIP] Outside Rearview Mirror Package Installation

**Table 1:** [Kit Contents](#)

**Table 2:** [Retrofit Plan for Camper Mirrors \(S40 or S4Z\)](#)

[Installation Instructions Part Number](#)

23371780



Kit Contents

Qty	Description
1	Mirror LH
1	Mirror RH
1	Installation Instructions W / ACL

[Installation Summary](#)

- VEHICLE ACCEPTABILITY FOR RETROFIT.** Look at the following retrofit plan to verify the vehicle is one of the acceptable choices for retrofit. Locate line item for customer's vehicle based on model year, body style, As-built RPO's.
- DETERMINE AND ACQUIRE NECESSARY WIRING.** © 2015 General Motors. All rights reserved.

- 2.1. **DOOR HARNESES.** Acquire/change driver door harness and passenger door harness according to plan.
- 2.2. **BODY HARNESS WIRING.** Look at chart to determine if body harness needs modifying. If the chart says YES, or INSPECT BODY HARNESS, and it is verified by inspection steps below, then it is necessary to obtain/use the Camper Mirror Harness kit (option **RZY**); RZY part number at top of chart.
3. **MIRROR REPLACEMENT.** Remove the production mirrors and install the accessory camper mirrors.
4. **CALIBRATIONS.** Determine if either the BCM or Memory Module needs new cal's. If either one, or both, need new cal's, use the Authorization Code Label to obtain cal info.
5. **FUNCTION VERIFICATION.** Follow procedure to verify all mirror functions are correct.

#### Retrofit Plan for Camper Mirrors (S40 or S4Z)

VEHICLE	BODY	"AS BUILT" RPOs	Install Driver Door Harness	Install Passenger Door Harness	Need Camper Mirror Harness Kit? "RZY", P/N 23387133	BCM Cal's	Memory Module Cals
2014 LD 2015 HD-AVF	03	DL8 AY0	23171562	23171565	YES	YES	NO
2015 HD-AVF	03	DL8 AK5	23171568	23171570	YES	YES	NO
2014 LD 2015 HD-AVF	43, 53	DL8 AY0	23171572	23171566	YES	YES	NO
2015 HD-AVF	43, 53	DL8 AK5	23171574	23171571	YES	YES	NO
2014 LD 2015 HD-AVF	43, 53	DL3 AY0 Minus A45	23171572	23171566	YES	NO	NO
2015 HD-AVF	43, 53	DL3 AK5 A45	23171560	23171561	YES	NO	YES

VEHICLE	BODY	"AS BUILT" RPOS	Install Driver Door Harness	Install Passenger Door Harness	Need Camper Mirror Harness Kit? "RZY", P/N 23387133	BCM need new cals?	Memory Module need new cals?
2014 LD 2015 HD-AVF	43, 53	DL3 AY0 A45	23171564	23171567	YES	NO	YES
2015 LD <b>2015 HD&amp;AVF</b>	03	DL8	23171562	23171565	INSPECT BODY HARNES	YES	NO
2015 LD <b>2015 HD&amp;AVF</b>	43, 53	DL8	23171572	23171566	NO	YES	NO
2015 LD <b>2015 HD&amp;AVF</b>	43, 53	DL3 Minus A45	23171572	23171566	NO	NO	NO
2015 LD <b>2015 HD&amp;AVF</b>	43, 53	DL3 A45	23171564	23171567	NO	NO	YES
2016 LD & HD	03	DL8	23171562	23171565	INSPECT BODY HARNES	YES, for Chevy HD	NO
2016 LD & HD	43, 53	DL8	23171572	23171566	NO	YES, for Chevy HD	NO
2016 LD & HD	43, 53	DL3 Minus A45	23171572	23171566	NO	NO	NO
2016 LD & HD	43, 53	DL3 A45	23171564	23171567	NO	NO	YES

**VEHICLE ACCEPTABILITY FOR RETROFIT**

Verify the vehicle has option content which agrees with one of the line items on the Retrofit Plan chart above.

**Note:** The camper mirrors will not function on a vehicle originally built with non-electrical DE2/DF2 mirrors.

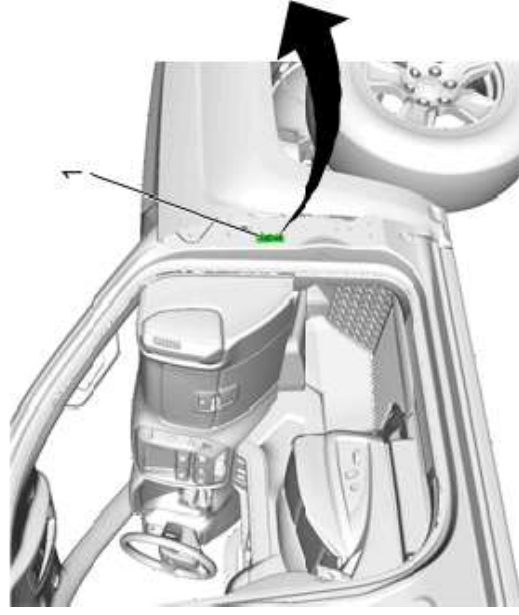
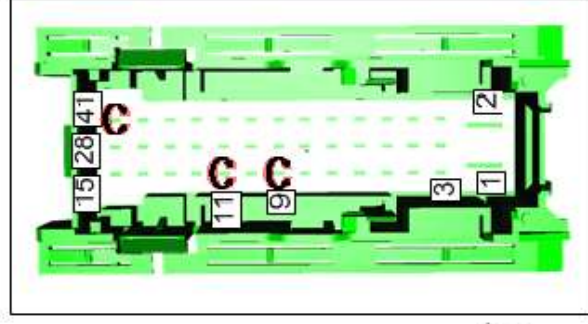
## DOOR HARNESSSES

Use the retrofit chart to determine what part numbers to order for the two door harnesses.

Change both door harnesses. Make sure to note for 2014 vehicles whether the vehicle is equipped with AY0 side air bag option to find correct line item on chart.

## BODY HARNESS WIRING

The retrofit chart above specifies whether the Camper Mirror Harness kit (RZY) is needed. Follow the procedure below to make final verification if that harness kit is needed.

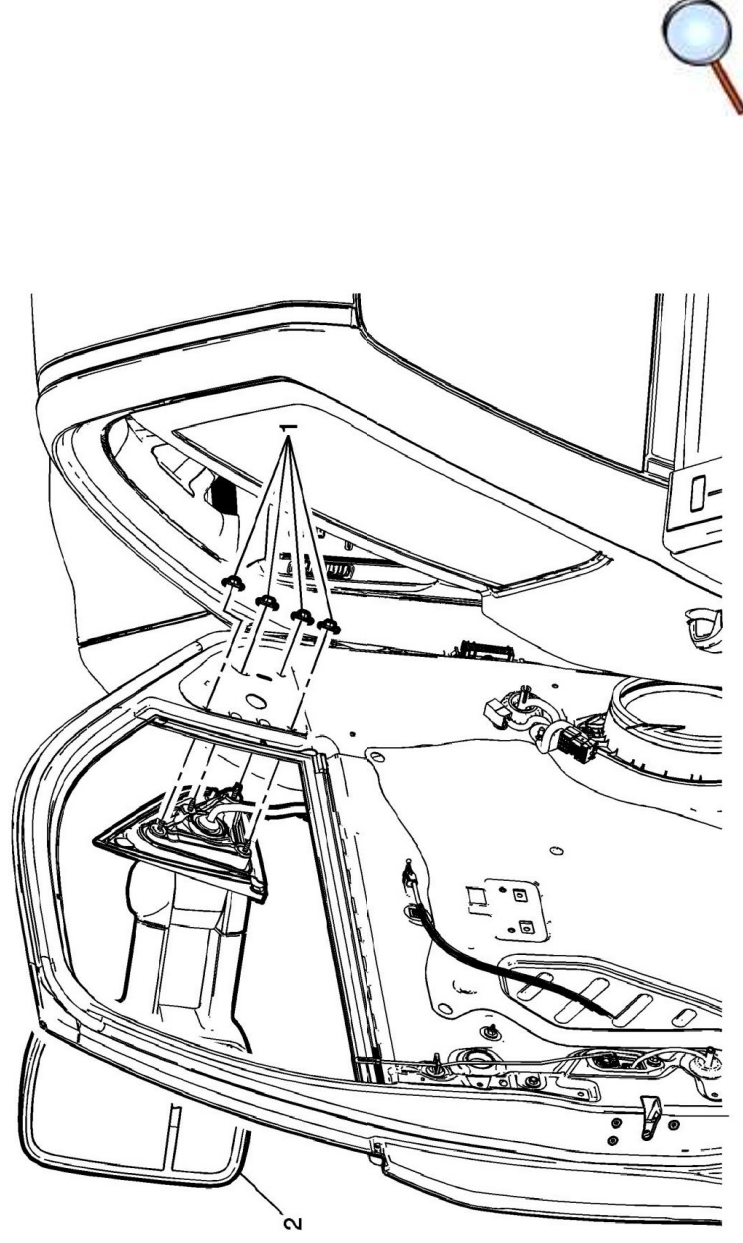


To verify whether the body harness has required circuits, or whether Camper Mirror Harness kit is needed, look at 41W body harness connector at the door jamb, which is the in-line connection to the door harness. Recommend looking at the right hand/passenger side (though either side is acceptable). Since the door will probably prevent direct viewing of connector, you may need to use a mirror. Callout (1) in the graphic above shows pin locations if you could directly view the connector pins.

**Note: MIRROR PROVIDES REVERSE IMAGE, SO PIN 41 WILL APPEAR ON THE LEFT IN THE IMAGE IN THE MIRROR!** There needs to be a pin in locations 9, 11 and 41. **If any of the three pins are missing, need to order the Camper Mirror Harness kit.**

Follow the harness installation instructions associated with the Camper Mirror Harness kit.

### Outside Rearview Mirror Replacement



1. Remove the front side door window garnish molding. Refer to Vehicle Service Manual.

**Caution:** Use the correct fastener in the correct location. Replacement fasteners must be the correct part number for that application. Fasteners requiring replacement or fasteners requiring the use of thread locking compound or sealant are identified in the service procedure. Do not use paints, lubricants, or corrosion inhibitors on fasteners or fastener joint surfaces unless specified. These coatings affect fastener torque and joint clamping force and may damage the fastener. Use the correct tightening sequence and specifications when installing fasteners in order to avoid damage to parts and systems.

2. Outside rearview mirror nuts (1) (Qty:4).

**Note:** Identify correct number of nuts required. If 3 nuts removed, add 4th nut to the outside mirror (2) for proper operation before installing the door trim. Also, on some vehicles built with mirrors with 3 studs, it may be necessary to drill out the 4th hole in the door for the camper mirror 4th stud.

### Tighten

Tighten the nuts to 9 Nm (80 lb in).

### CALIBRATIONS

Use the retrofit charts to determine if either BCM or Memory Module, or both, need new calcs.

If yes, reference the Serial Number on the outside of the kit box, and the ACL label on the 1-page instruction sheet in box.

### **FUNCTIONAL VERIFICATION**

With both accessory camper mirrors installed, test the mirror functionality, and check for any diagnostic codes.

- A.** Glass Movement. If vehicle has memory, pressing memory recall switch should cause NO glass movement.
- B.** Turn Signals
- C.** Parklamps
- D.** Cargo Lamps (to come on with roof mounted cargo lamps when I/P switch is pressed).

Reinstall previously removed components.