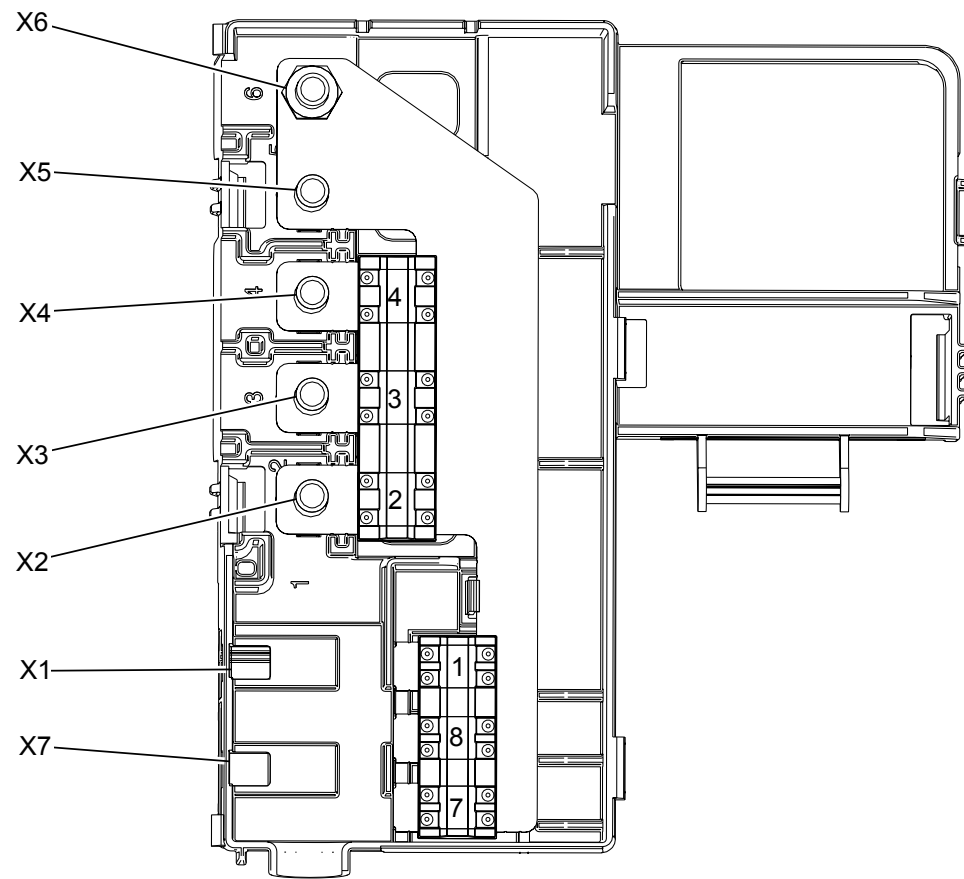


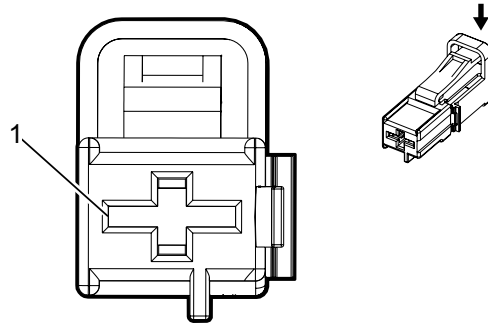
## X50D Fuse Block - Battery Top View



### X50D Fuse Block – Battery Usage

No.	Device Label Name	Device Assigned Name	Rating	Description
1	—	F1UD	100A	•
2	—	F2UD	175A	• •
3	—	F3UD	—	•
4	—	F4UD	175A	•
5	—	F7UD	60A	•
6	—	F8UD	60A	•

## X50D Fuse Block - Battery X1



### Connector Part Information

Harness Type: Body

OEM Connector: 13629098

Service Connector: Service by Harness - See Part Catalog

Description: 1-Way F 8.0 Series (BU)

### Terminal Part Information

Terminal Type ID	Terminated Lead	Diagnostic Test Probe	Terminal Removal Tool	Service Terminal	Tray Name	Core Crimp	Insulation Crimp
I	Not Required	J-35616-21 (RD)	No Tool Required	Not Required	Not Required	Not Required	Not Required

### X50D Fuse Block - Battery X1

Pin	Size	Color	Circuit	Function	Terminal Type ID	Option
1	10	RD/GY	642	Battery Positive Voltage	I	—