

2016 Chevy Truck Silverado 2500 4WD V8-6.6L DSL Turbo

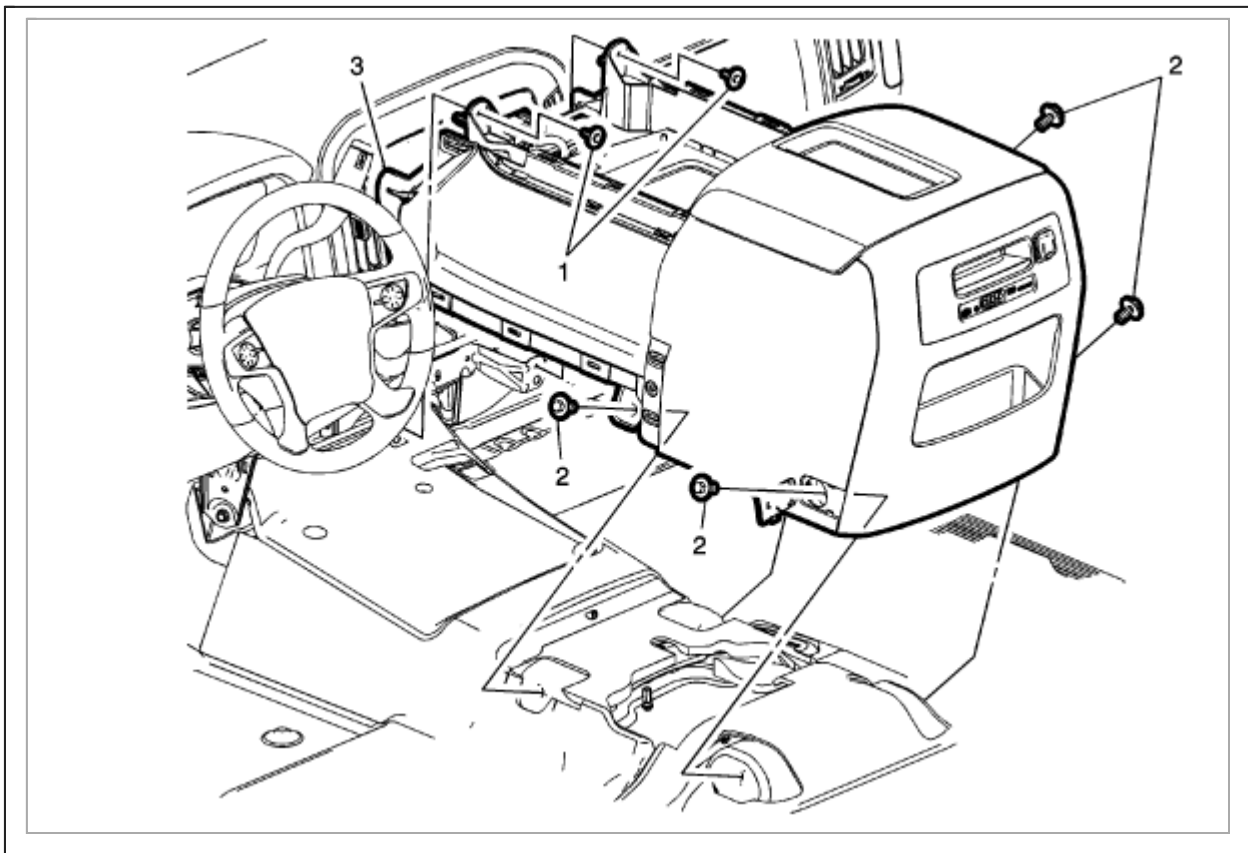
Vehicle » Body and Frame » Interior Moulding / Trim » Dashboard / Instrument Panel » Service and Repair » Instrument Panel Assembly Removal

Instrument Panel Assembly Removal

Removal Procedure

1. Disable the SIR system. Refer to [See: Air Bag\(s\) Arming and Disarming\Service and Repair SIR Disabling and Enabling.](#)

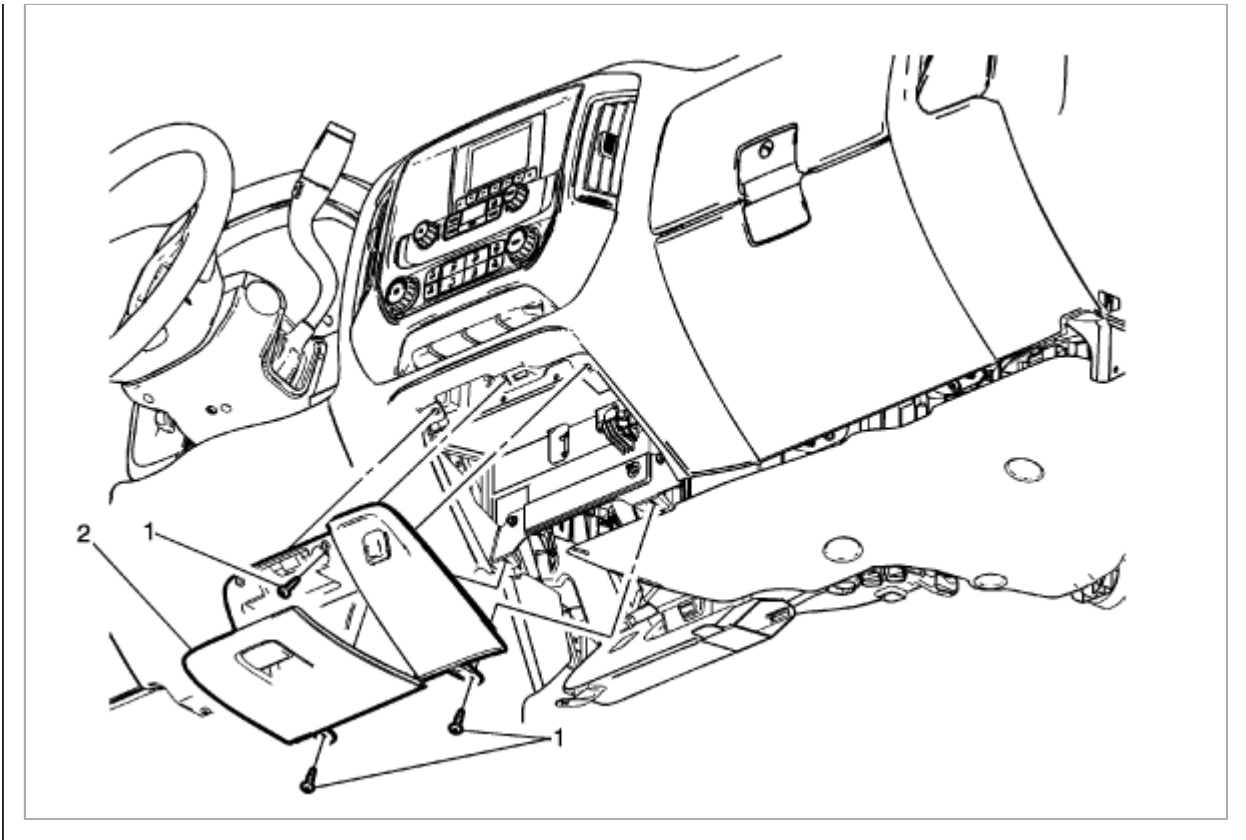
2.



Remove the front floor console (3), if equipped. Refer to [See: Console\Service and Repair\Front Floor Console Assembly Replacement \(Without HP5\) Front Floor Console Assembly Replacement \(without HP5\).](#)

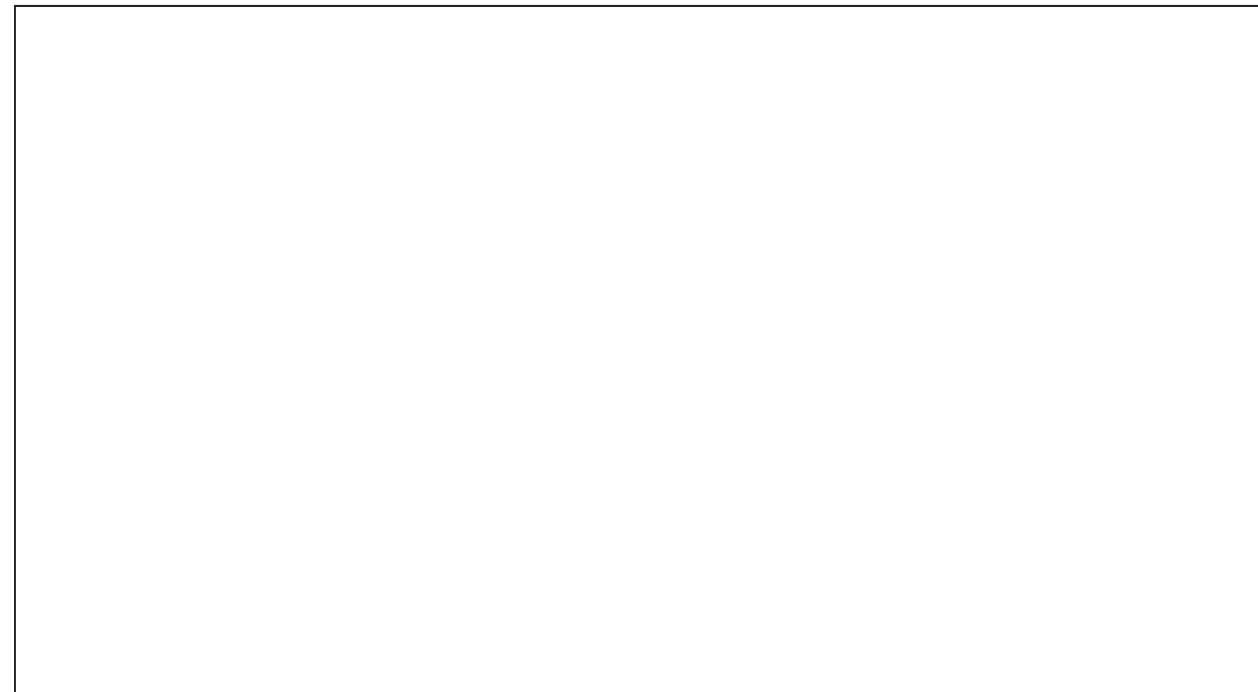
3.

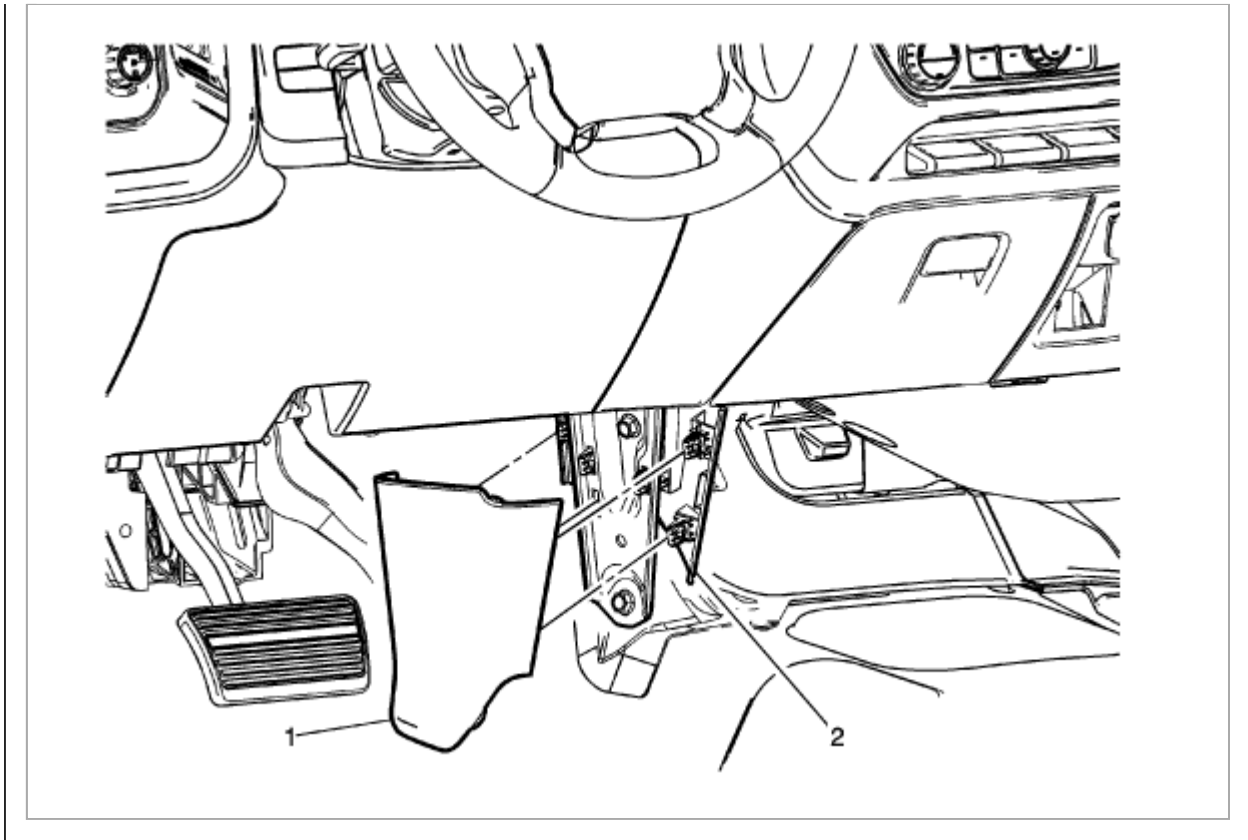




Remove the instrument panel center compartment (2), if equipped. Refer to [See: Instrument Panel Center Compartment Replacement](#) Instrument Panel Center Compartment Replacement.

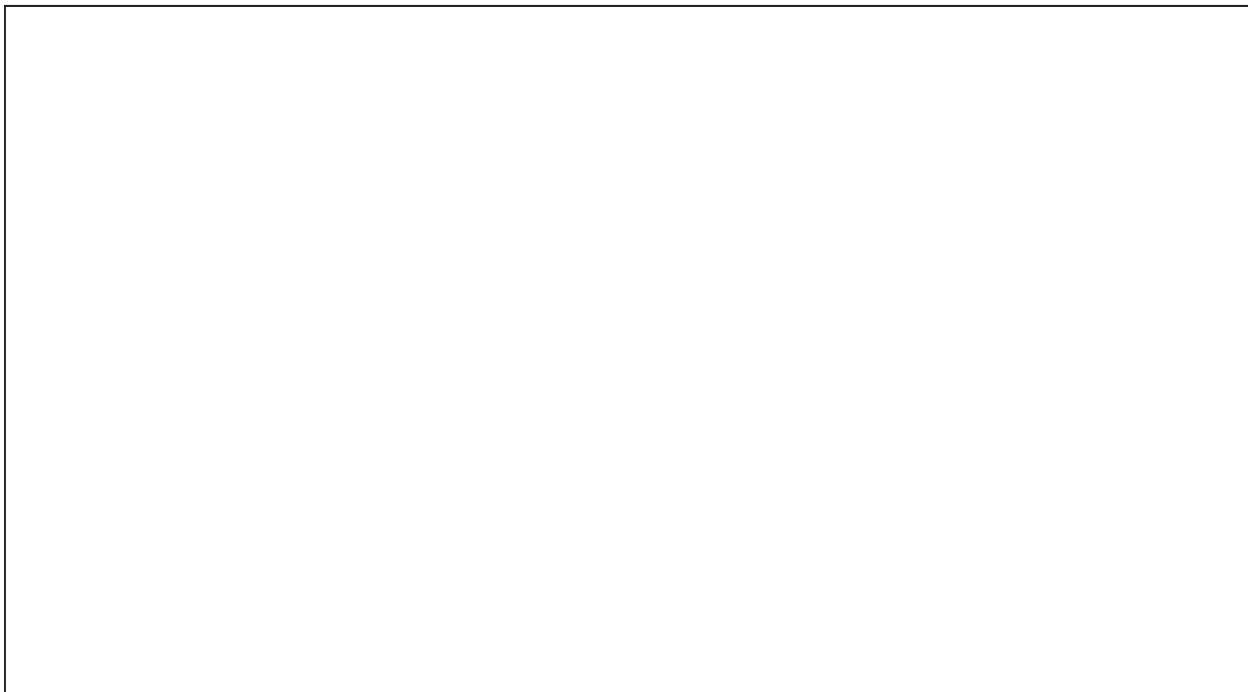
4.

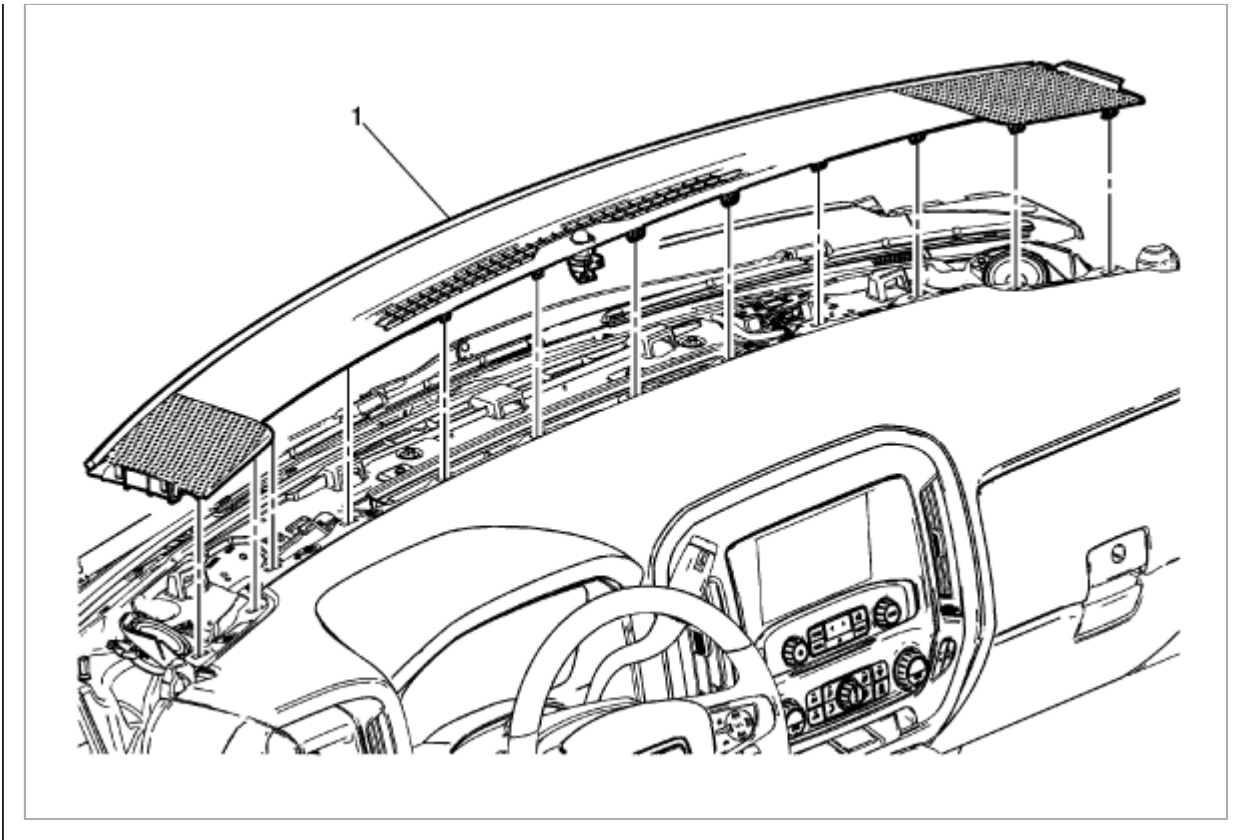




Remove the instrument panel lower center trim panel (1) and (2), if equipped. Refer to [See: Instrument Panel Lower Center Trim Panel Replacement](#) Instrument Panel Lower Center Trim Panel Replacement.

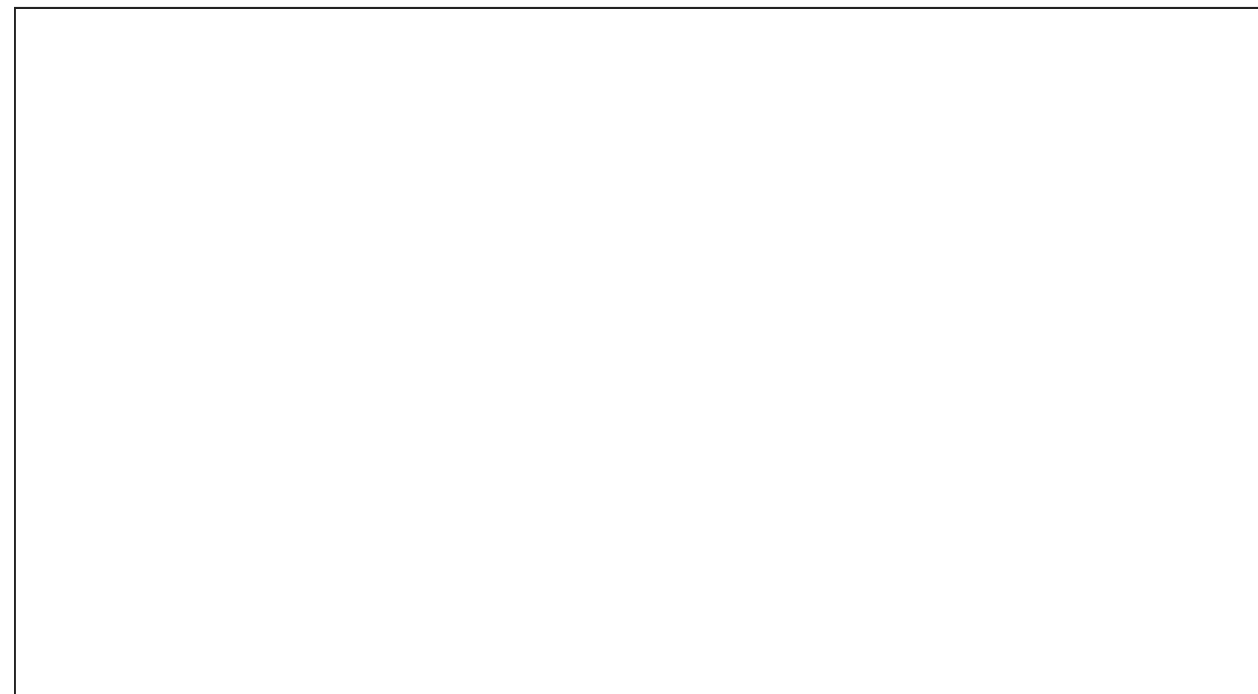
5.

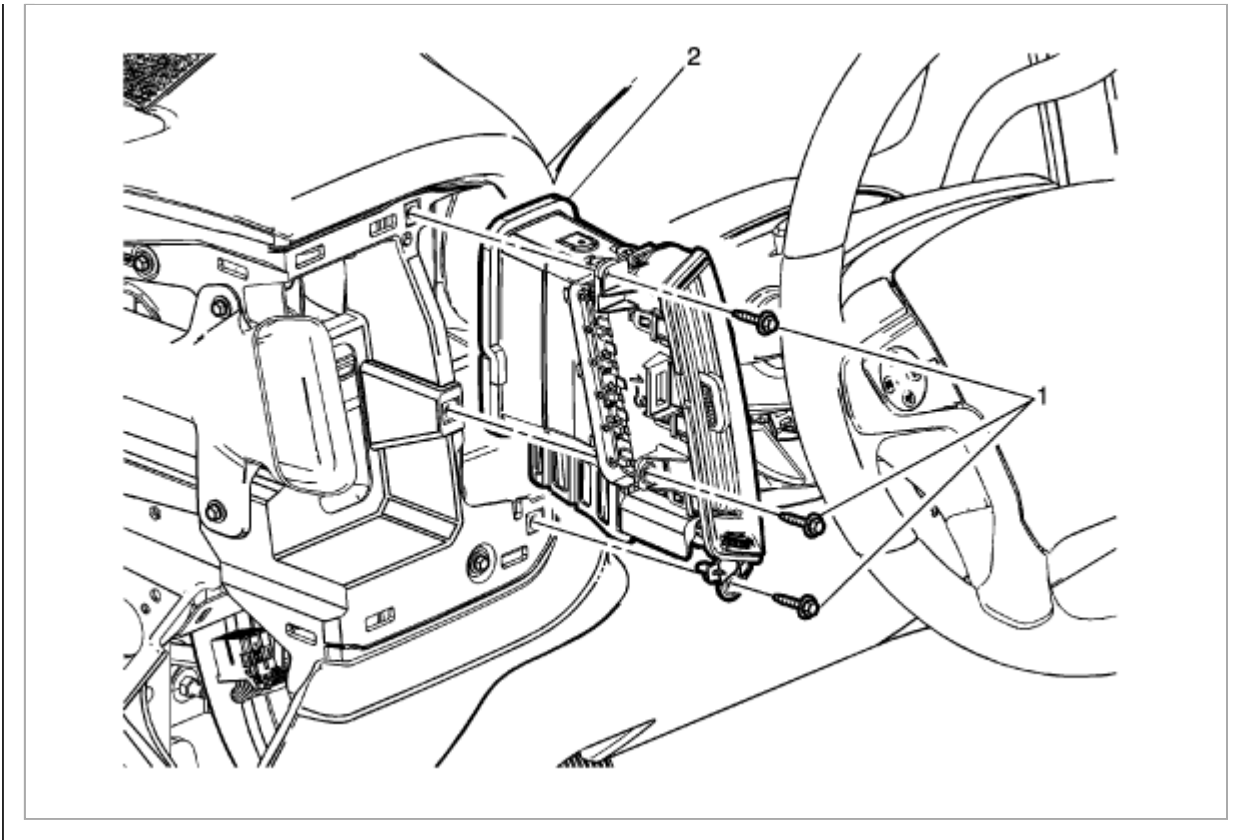




Remove the instrument panel extension (1). Refer to [See: Instrument Panel Extension Replacement Instrument Panel Extension Replacement](#).

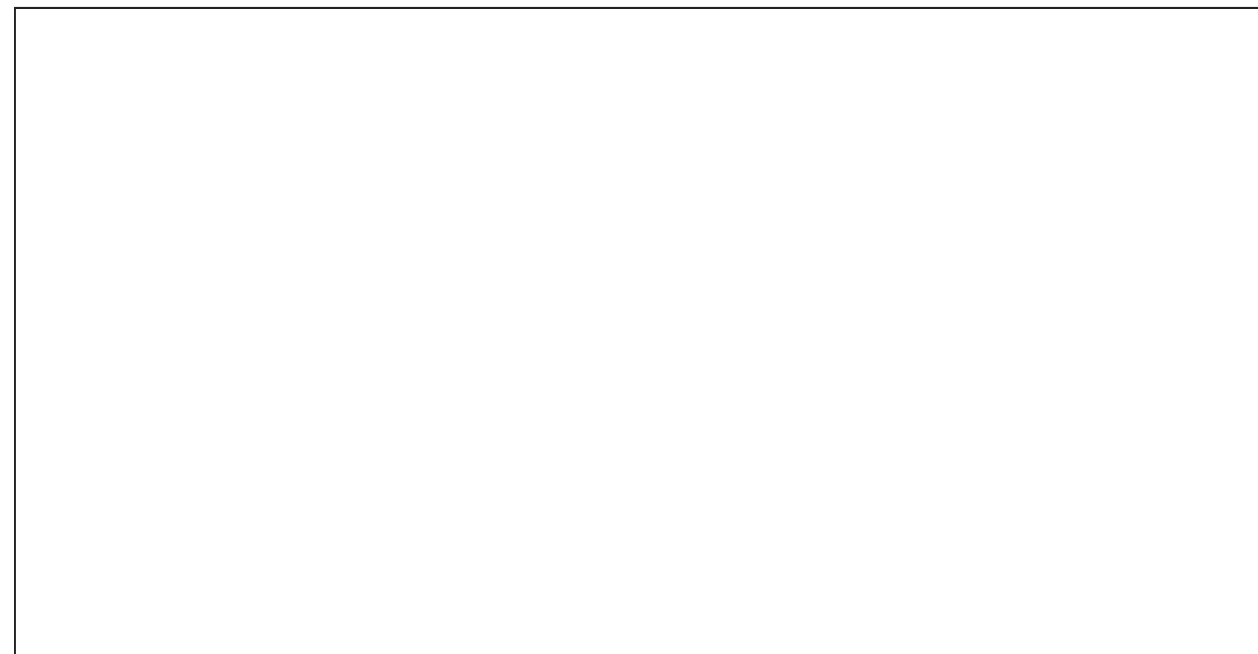
6.

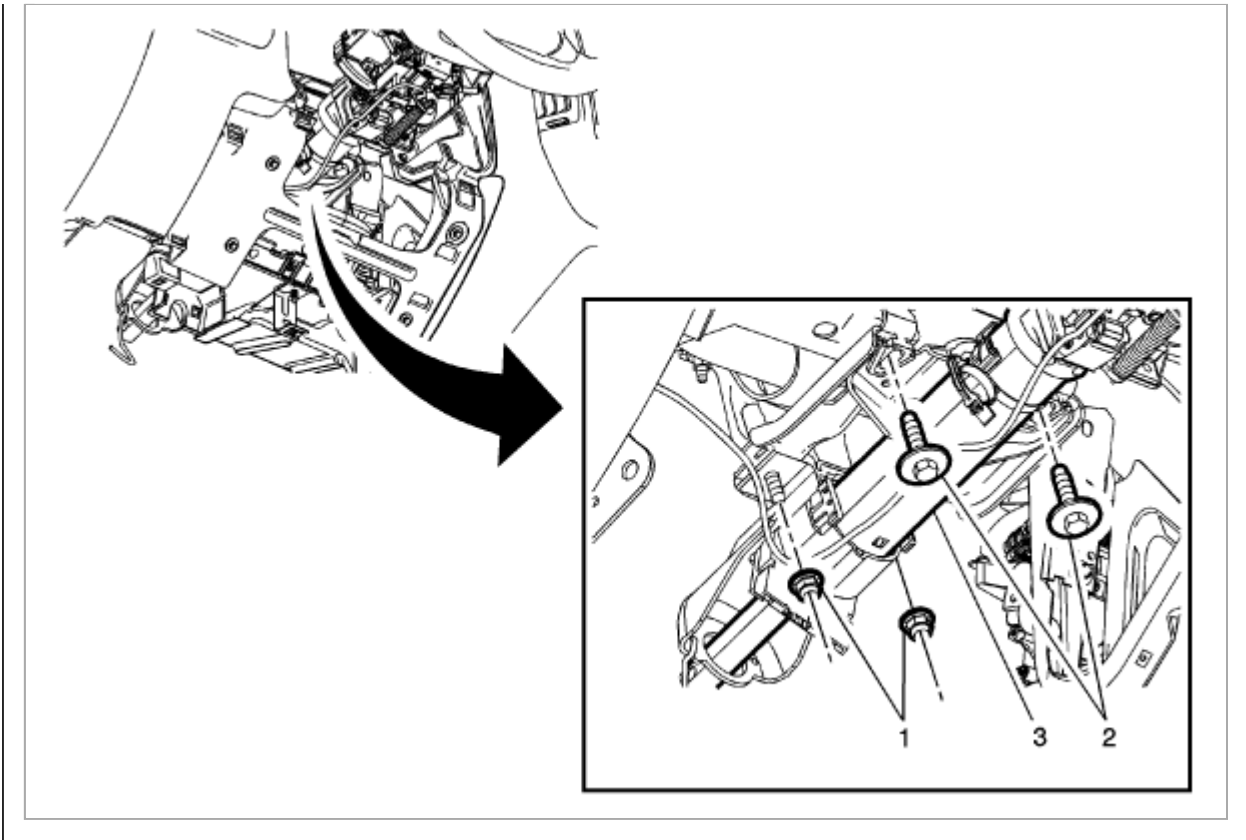




Remove the left instrument panel outer air outlet (2). Refer to [See: Heating and Air Conditioning\Air Register\Service and Repair\Instrument Panel Outer Air Outlet Replacement - Left Side Instrument Panel Outer Air Outlet Replacement - Left Side](#).

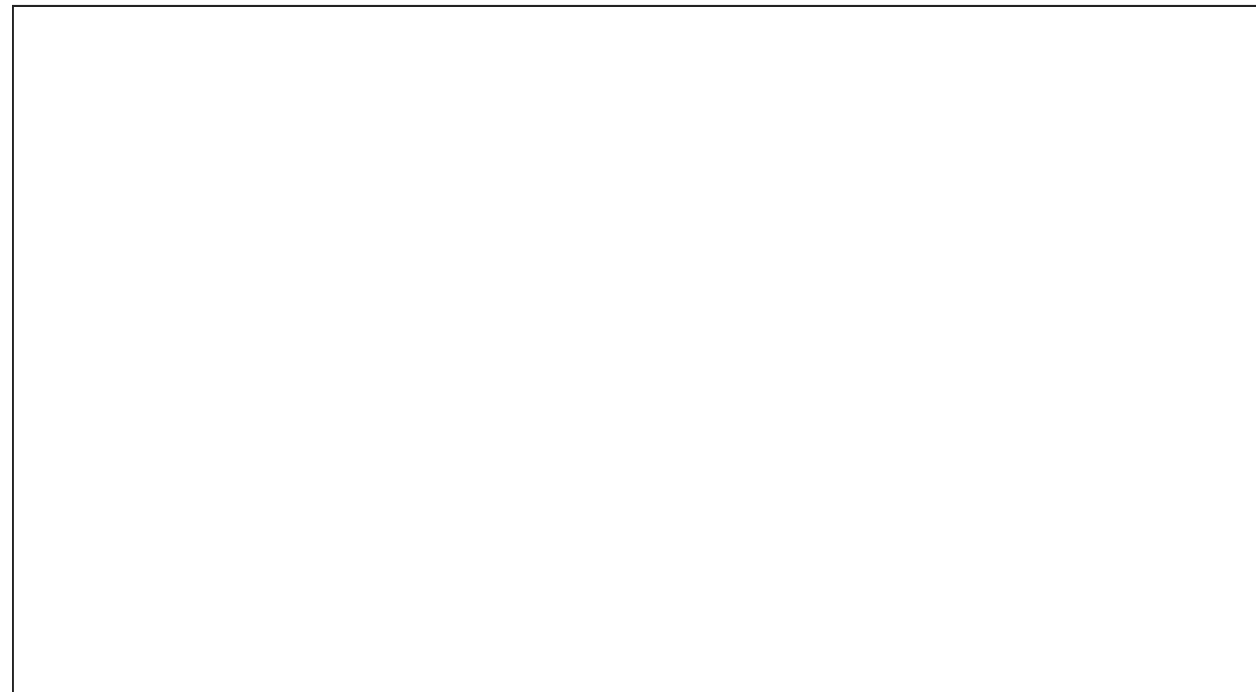
7.

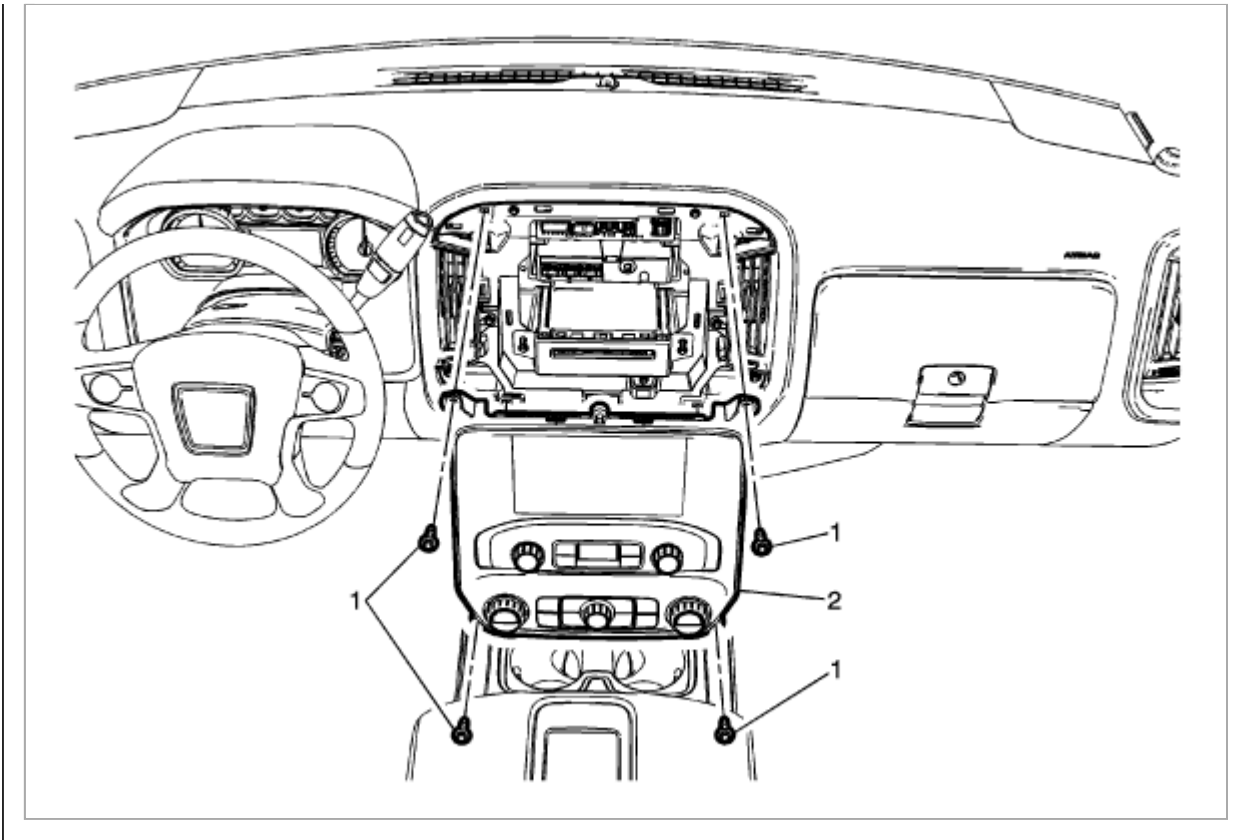




Remove the steering column (3). Refer to [See: Steering and Suspension\Steering\Steering Column\Service and Repair\Removal and Replacement\Steering Column Replacement Steering Column Replacement](#).

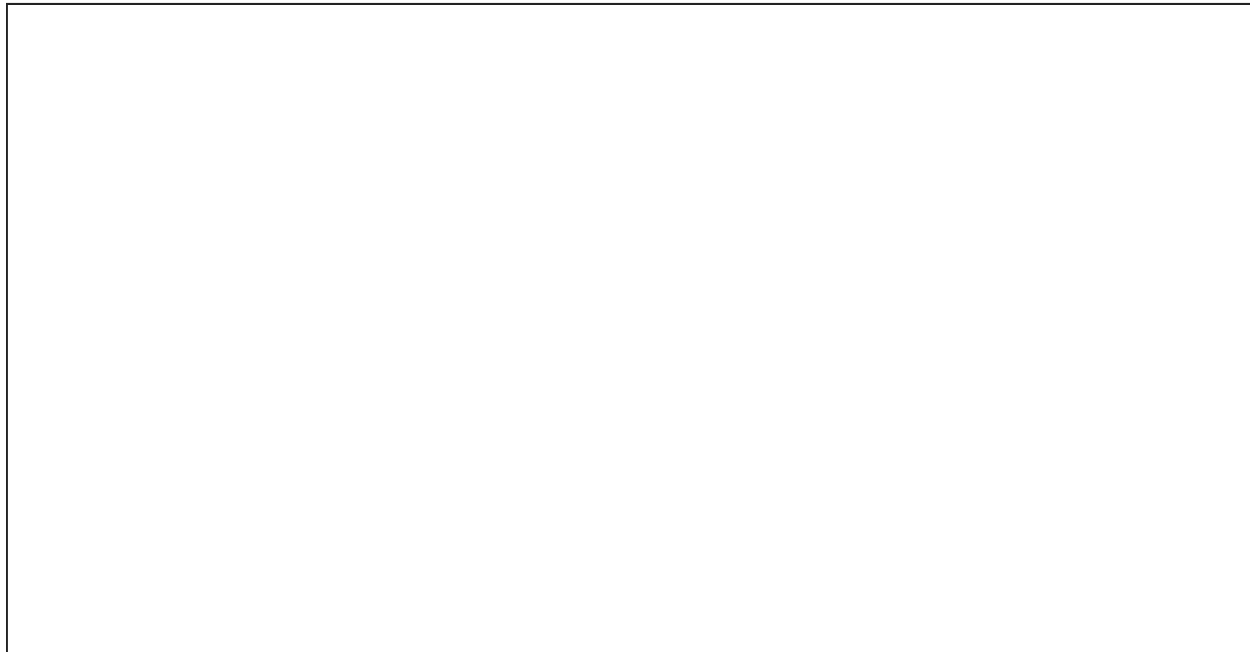
8.

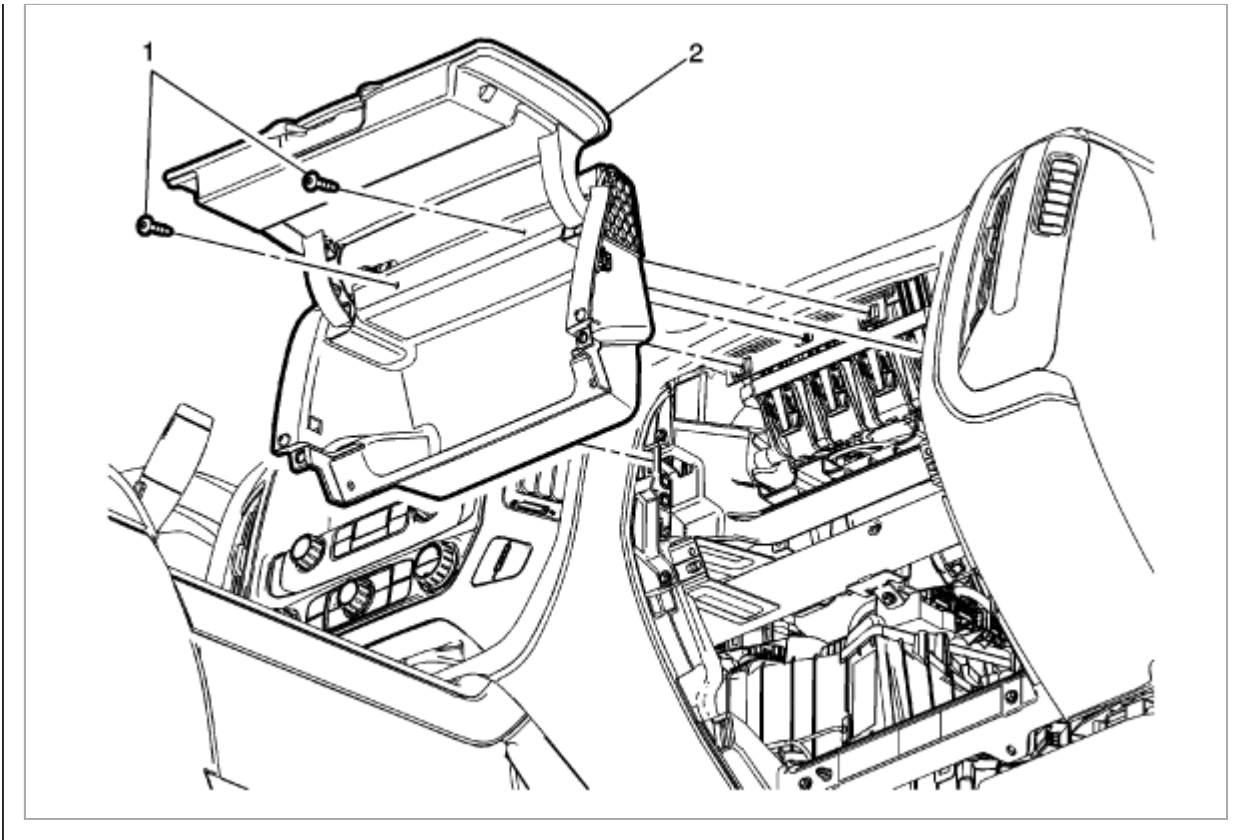




Remove the radio control assembly (2). Refer to [See: Accessories and Optional Equipment\Radio\Stereo\Service and Repair\Radio Control Assembly Replacement](#) Radio Control Assembly Replacement.

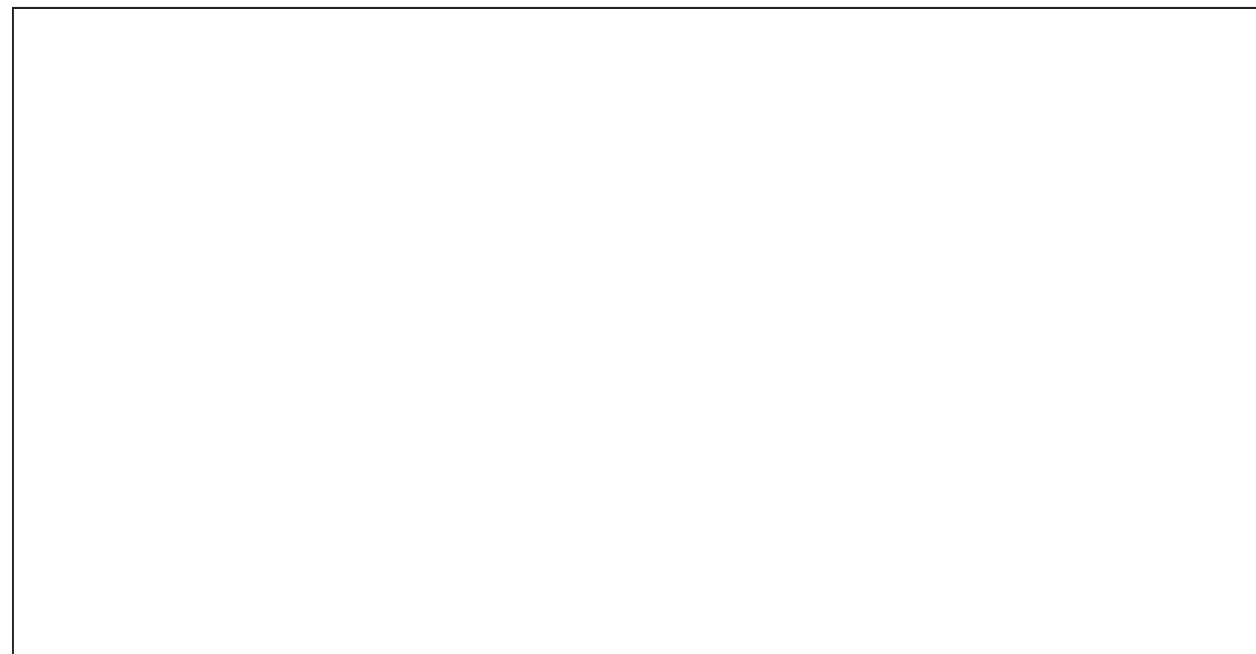
9.

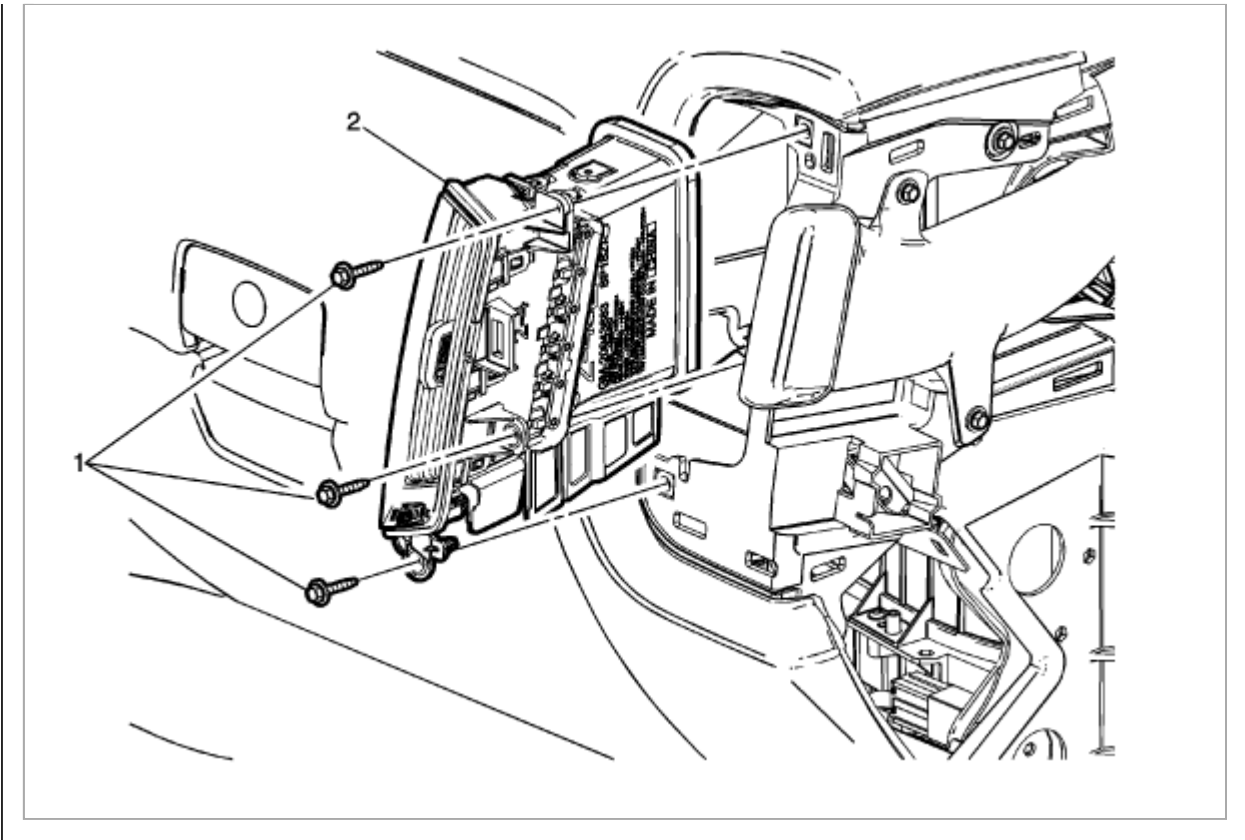




Remove the instrument panel upper compartment (2). Refer to [See: Glove Compartment\Service and Repair\Instrument Panel Upper Compartment Replacement](#) Instrument Panel Upper Compartment Replacement.

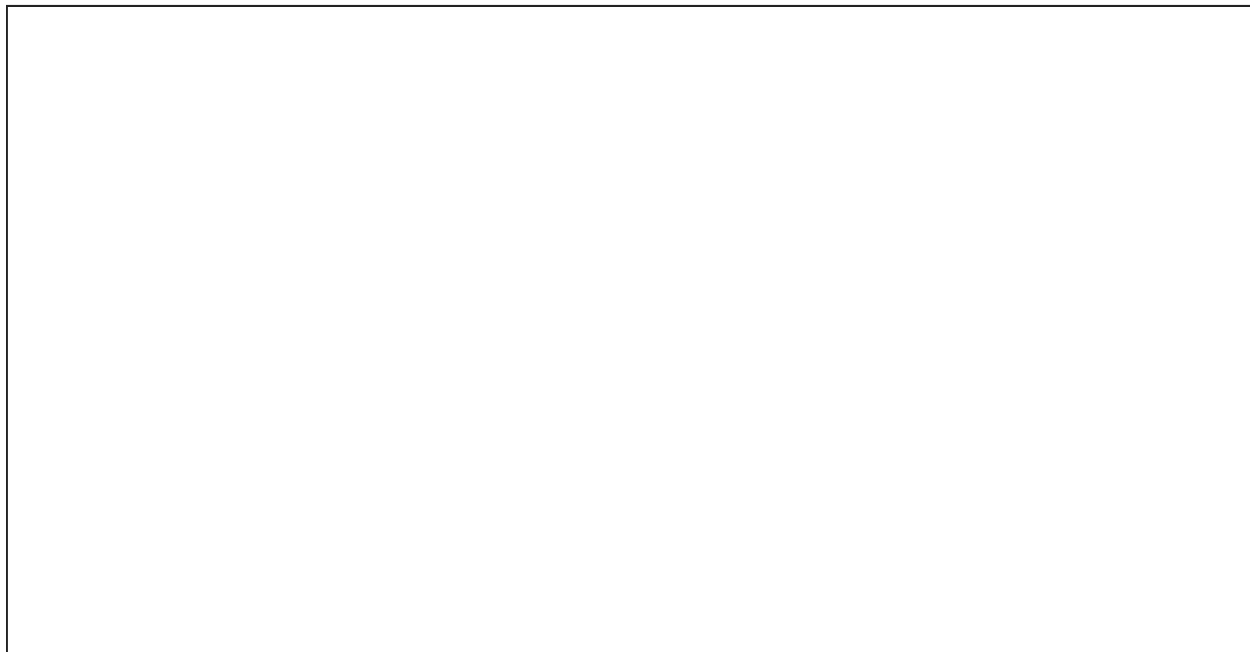
10.

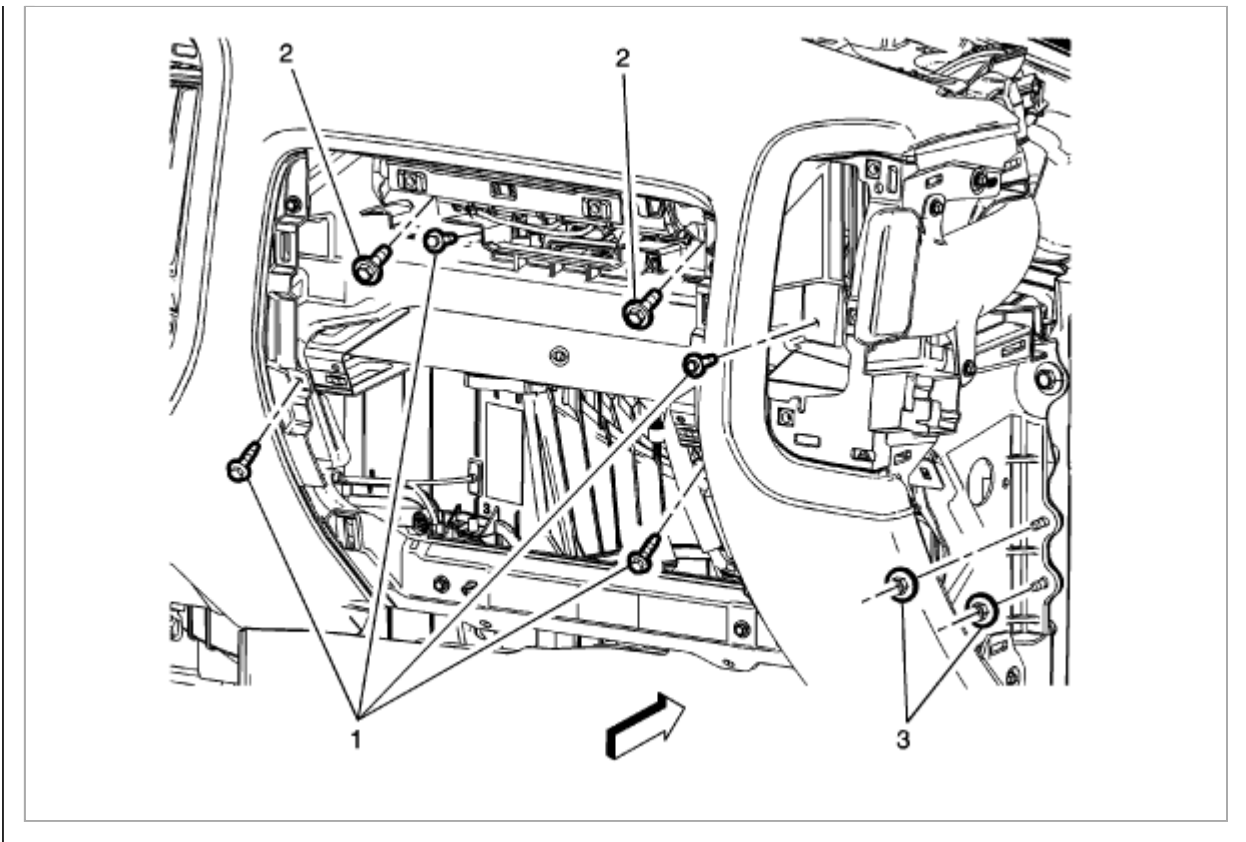




Remove the right instrument panel outer air outlet (2). Refer to [See: Heating and Air Conditioning/Air Register/Service and Repair/Instrument Panel Outer Air Outlet Replacement - Right Side Instrument Panel Outer Air Outlet Replacement - Right Side.](#)

11.



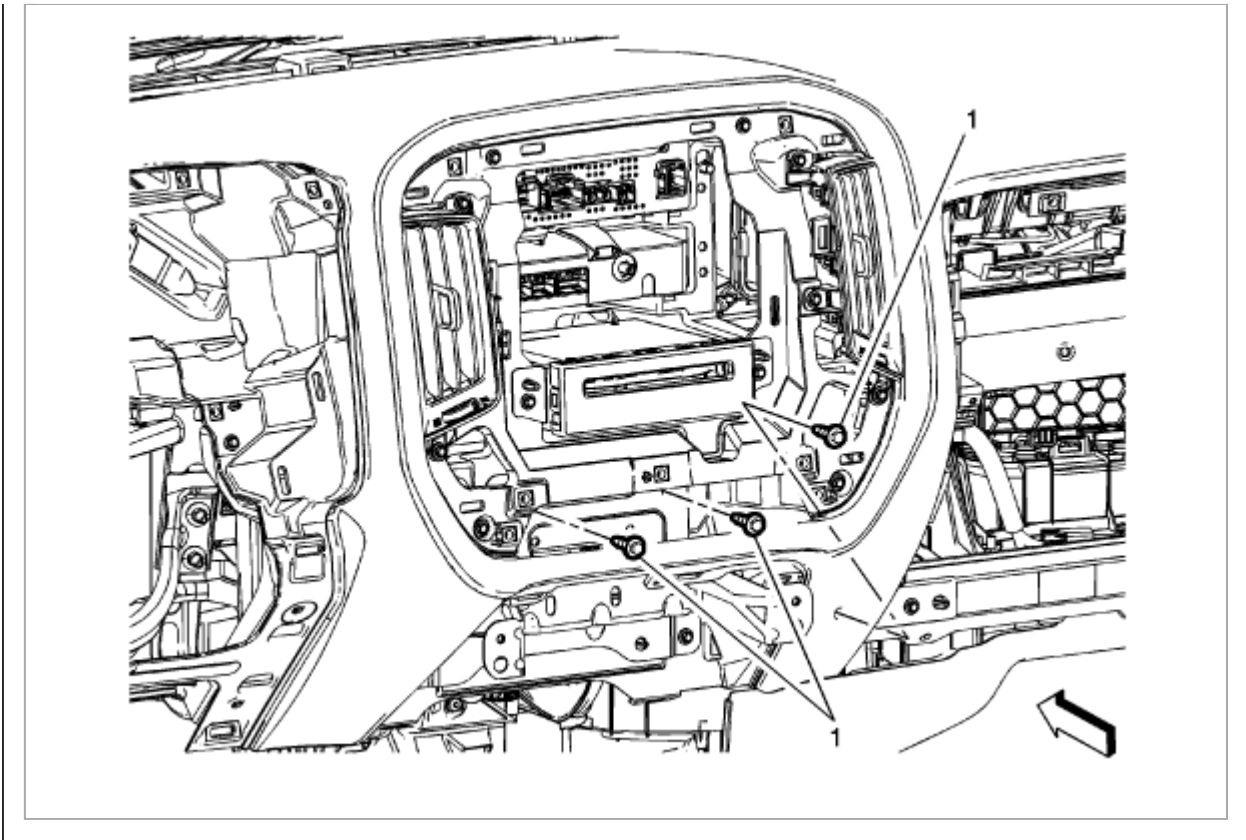


Remove the instrument panel assembly fasteners (1).

12. Remove the instrument panel inflatable restraint module fasteners (2).

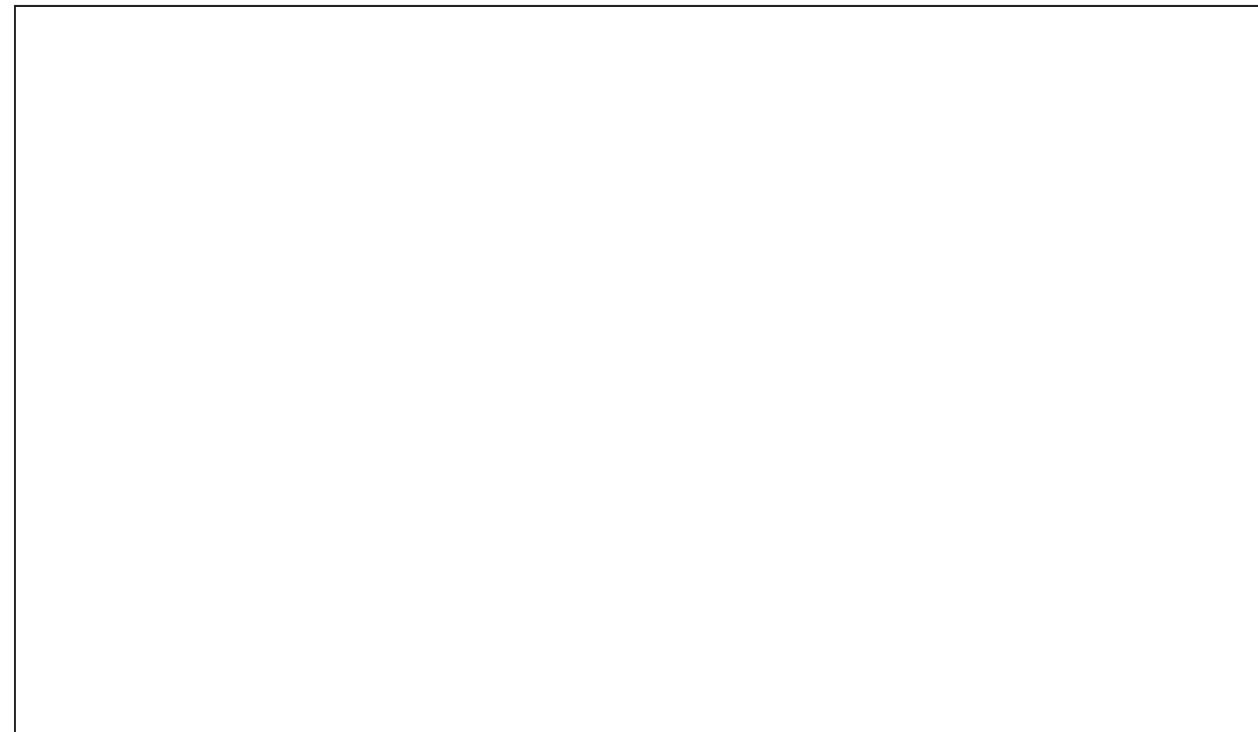
13. Remove the instrument panel carrier fasteners (3).

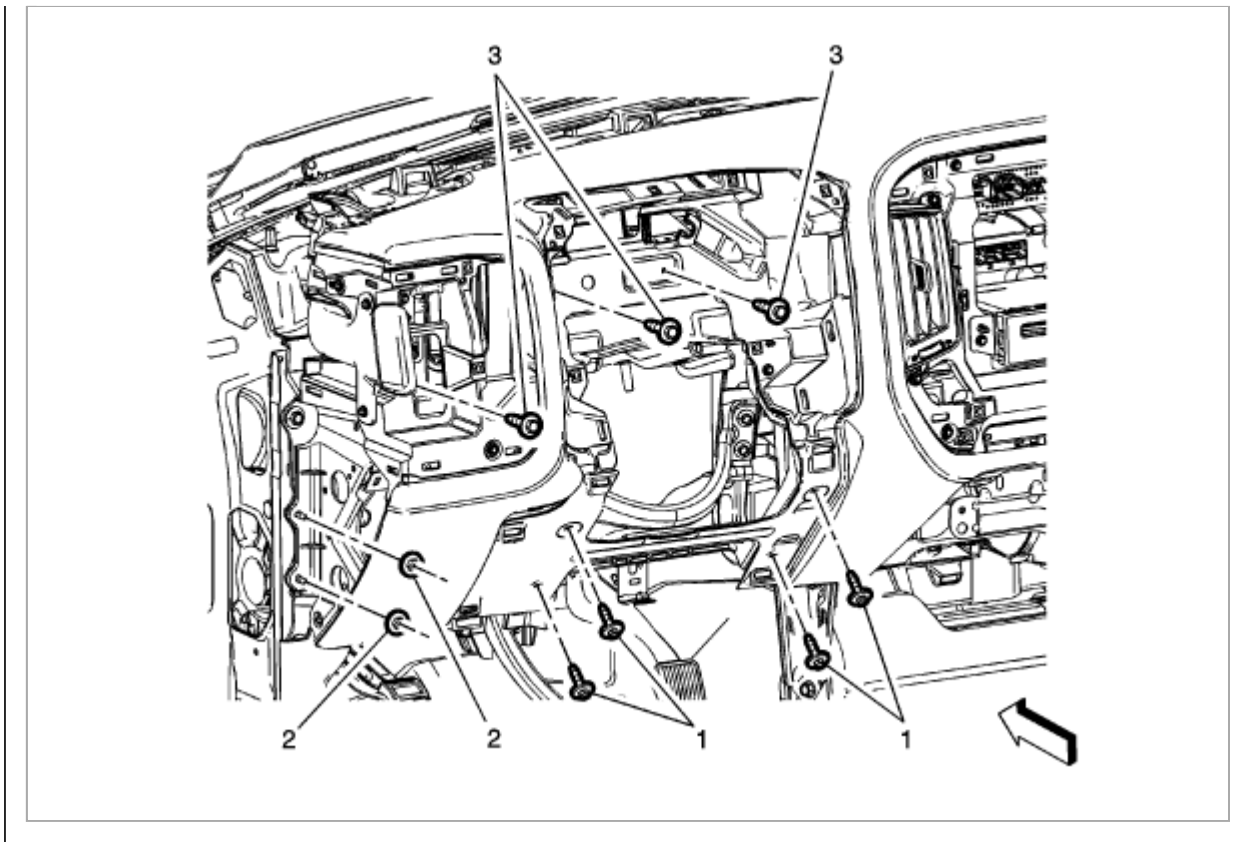
14.



Remove the instrument panel carrier fasteners (1).

15.



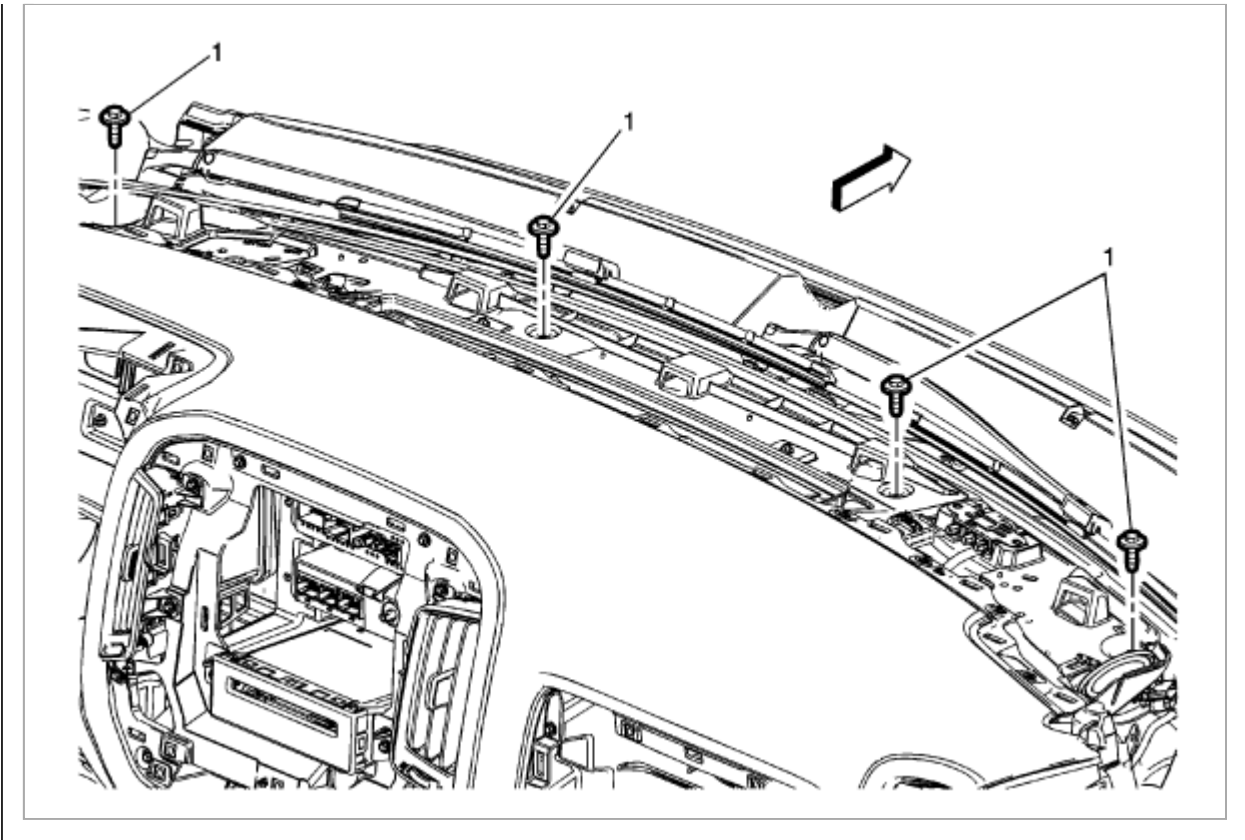


Remove the instrument panel lower fasteners (1).

- 16. Remove the instrument panel carrier fasteners (2).
- 17. Remove the instrument panel assembly fasteners (3).
- 18. Disconnect the data link connector.

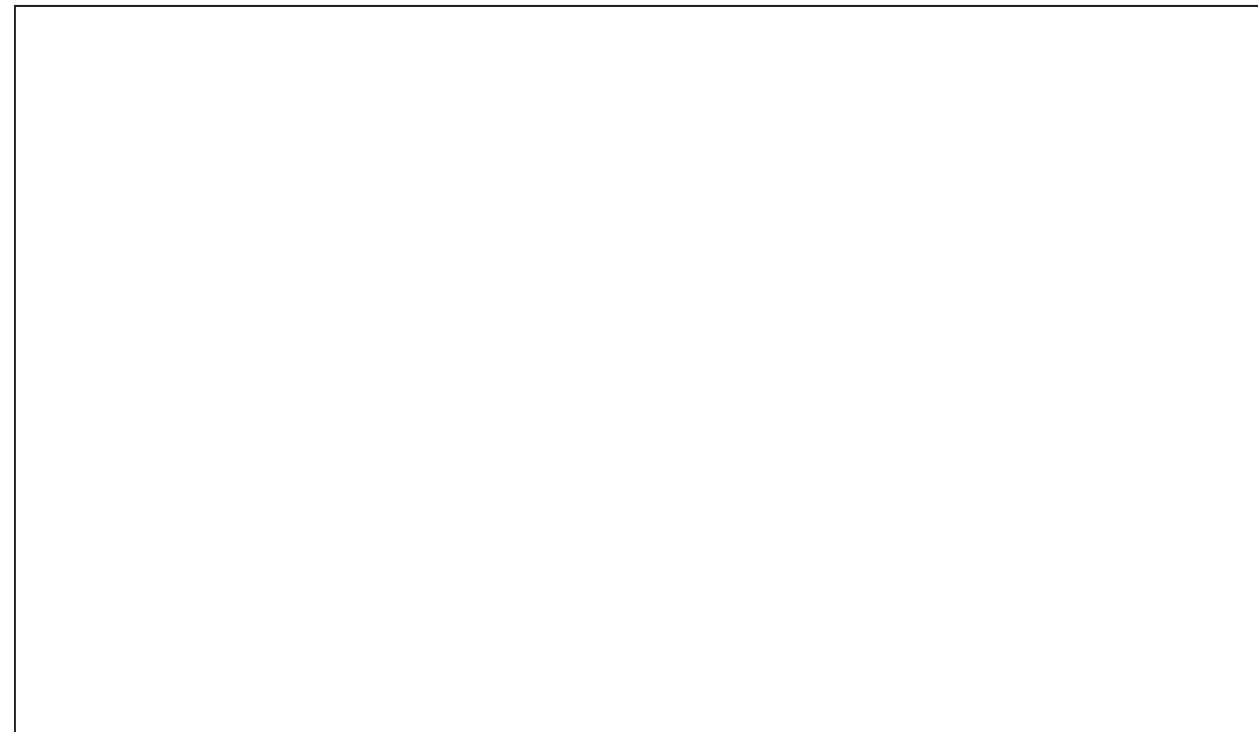
19.

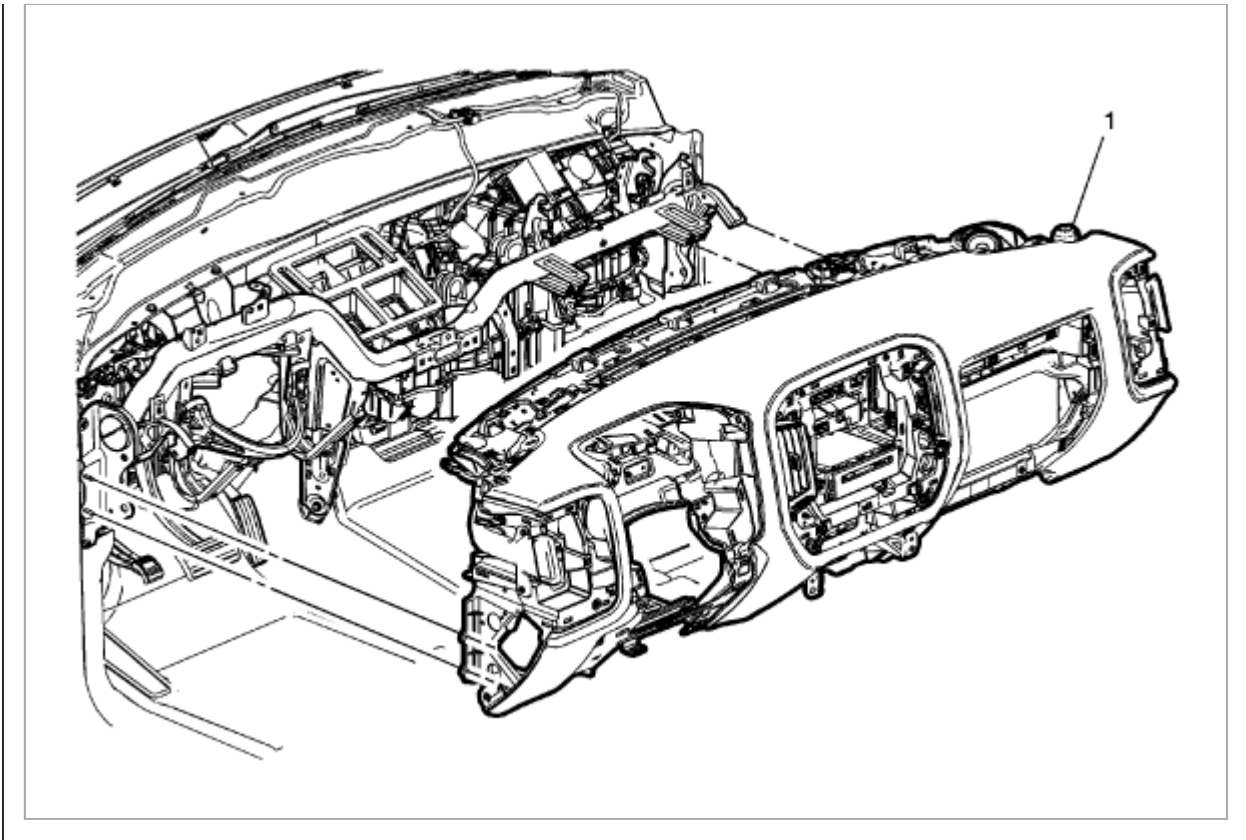




Remove the instrument panel upper trim panel fasteners (1).

20.



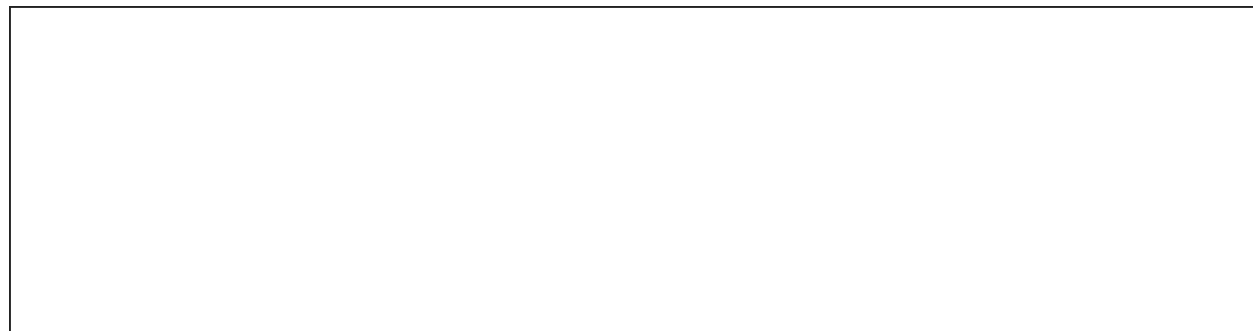


Note location and routing of the instrument panel wiring harness prior to removal of the instrument panel assembly to ensure proper reinstallation.

21. Disconnect the wiring harness from the instrument panel assembly.
22. When removing the instrument panel assembly (1) apply tape to the edges of instrument panel to prevent marring.
23. With the aid of an assistant, remove the instrument panel assembly (1) from the vehicle.
24. When replacing the instrument panel assembly (1), transfer all necessary components.

Installation Procedure

- 1.



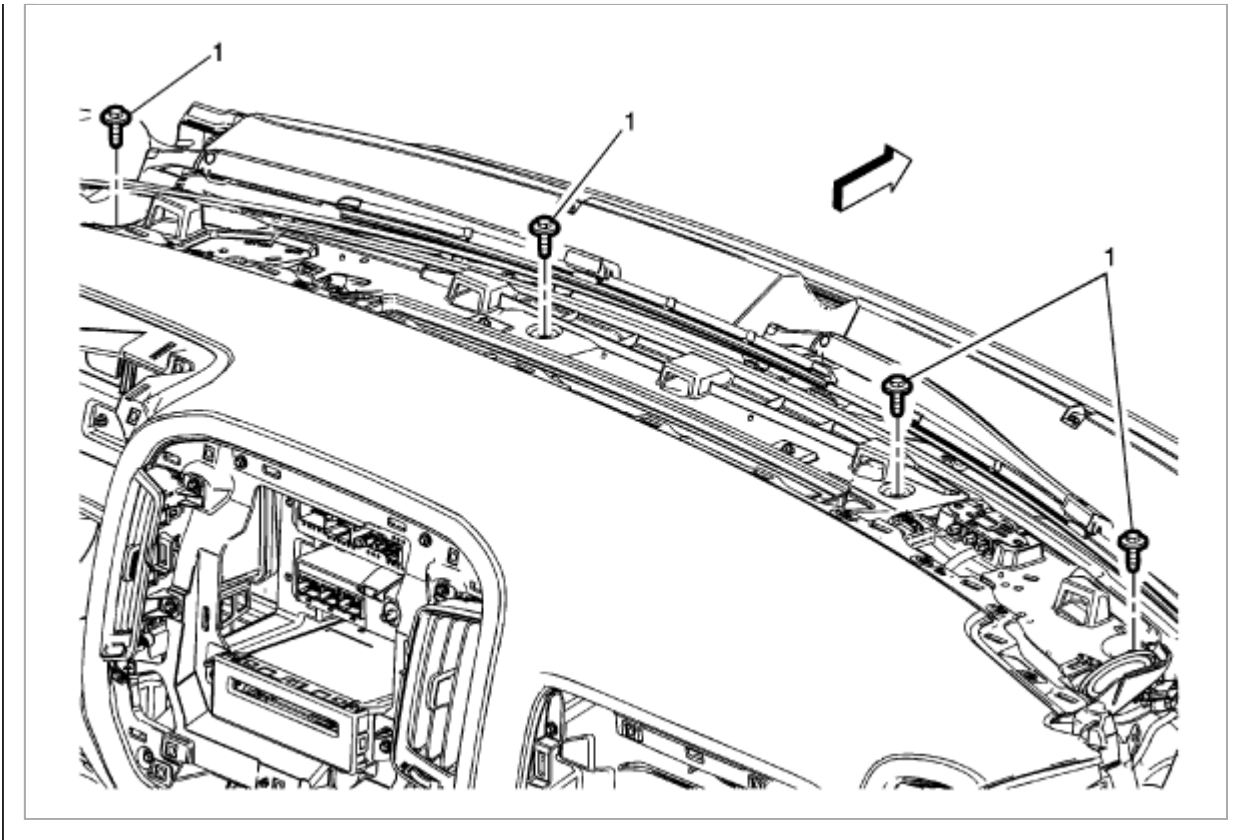


When replacing the instrument panel assembly apply tape to the edges of the new panel.

2. With the aid of an assistant, position the instrument panel assembly (1) into the vehicle.
3. Reposition the instrument panel wiring harness into vehicle position as was noted in the removal process and connect the fasteners securing the instrument panel wiring harness to the instrument panel assembly.

4.



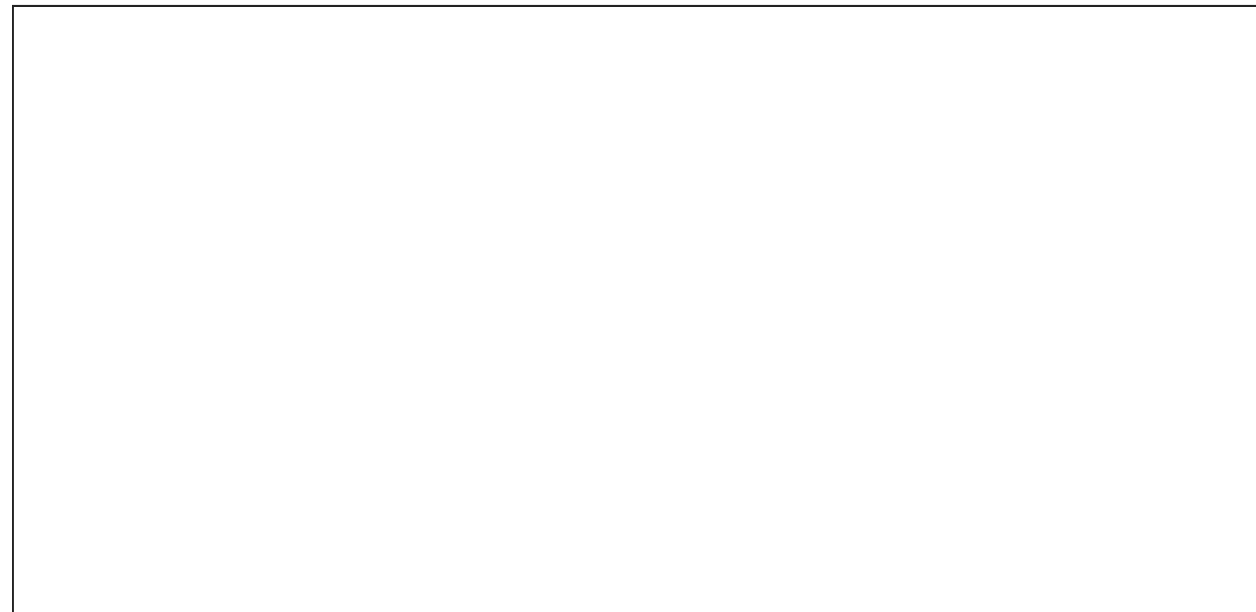


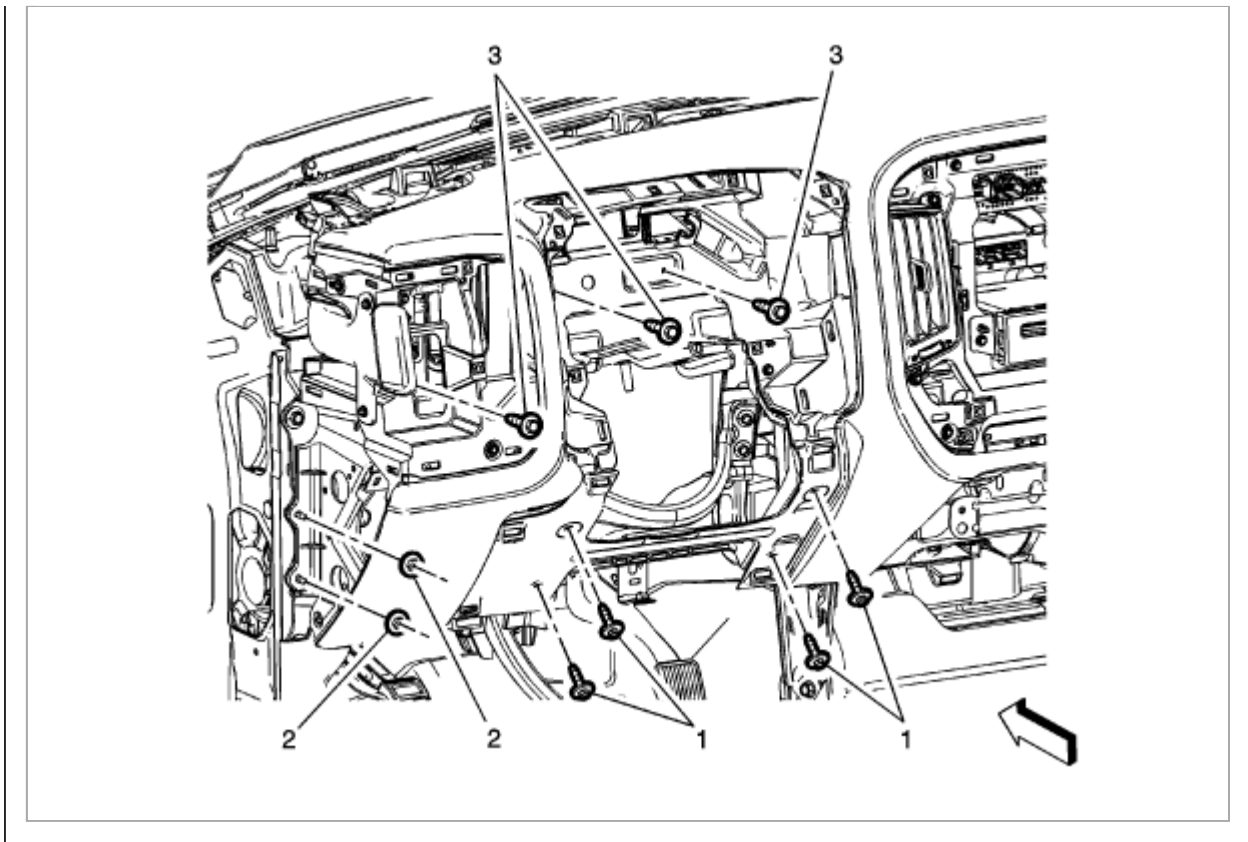
Caution: Refer to

See: [Service Precautions\Fastener Caution](#) **Fastener Caution.**

Install the instrument panel upper [trim panel](#) fasteners (1) and tighten to 9 Nm(80 lb in).

5.

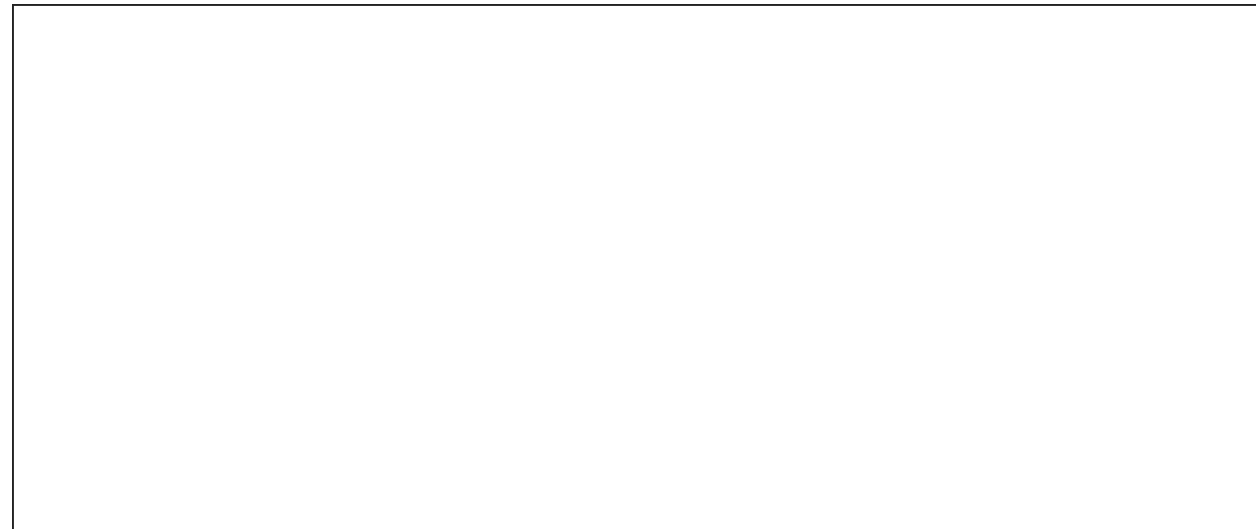


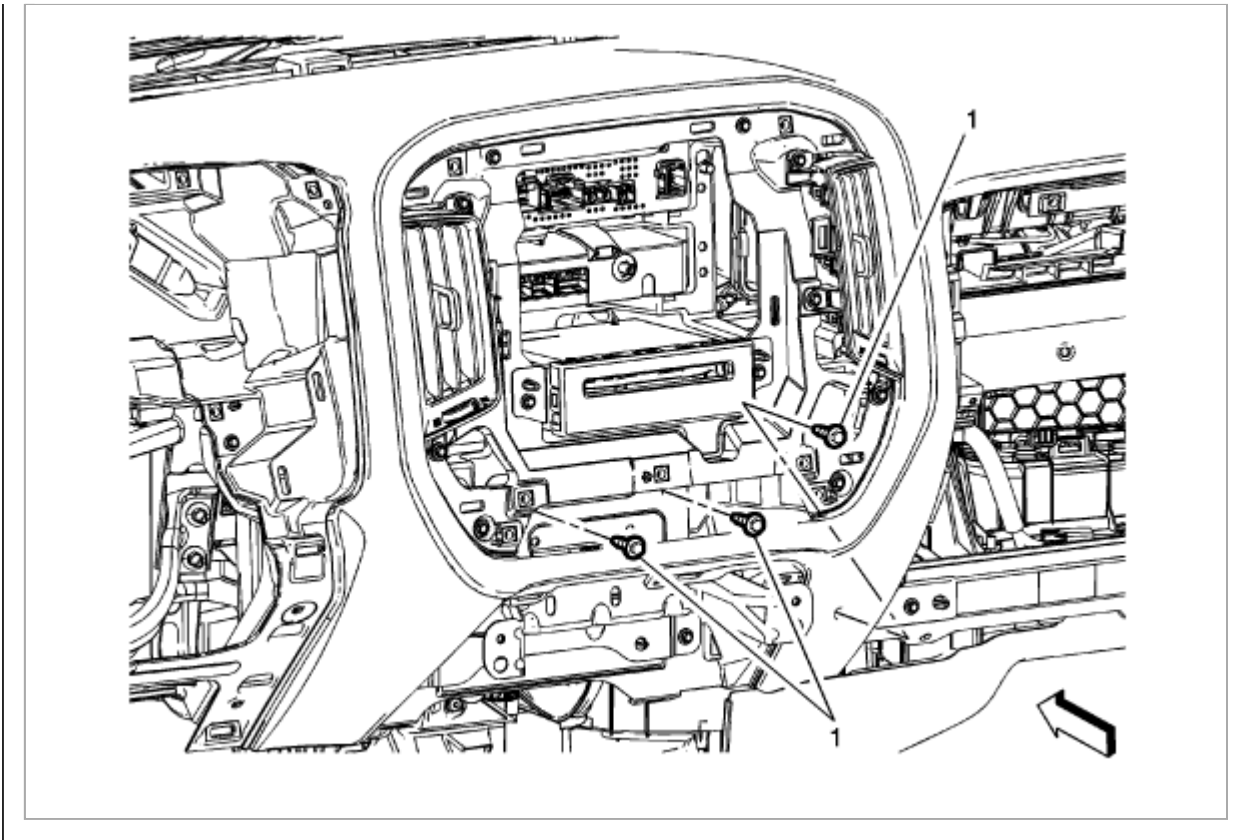


Install the instrument panel lower fasteners (1) and tighten to 2.5 Nm (22 lb in).

6. Install the instrument panel carrier fasteners (2) and tighten to 9 Nm(80 lb in).
7. Install the instrument panel assembly fasteners (3) and tighten to 2.5 Nm (22 lb in).
8. Connect the data link connector.

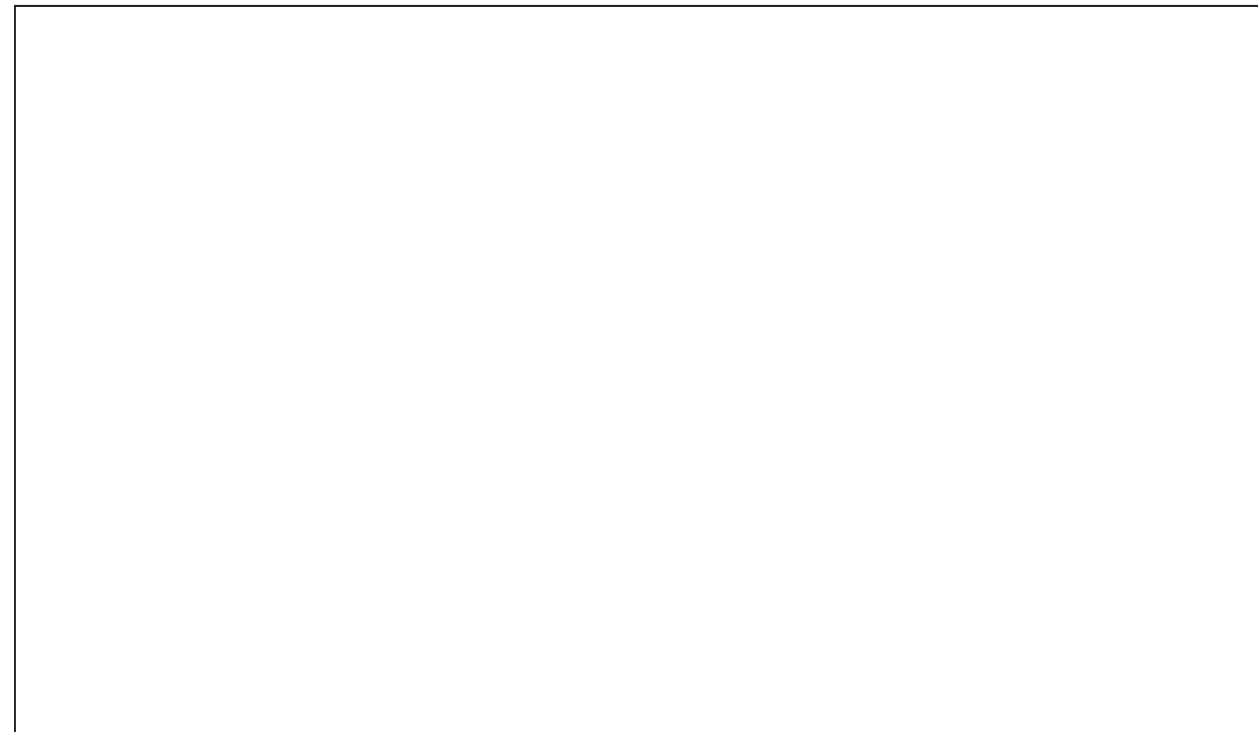
9.

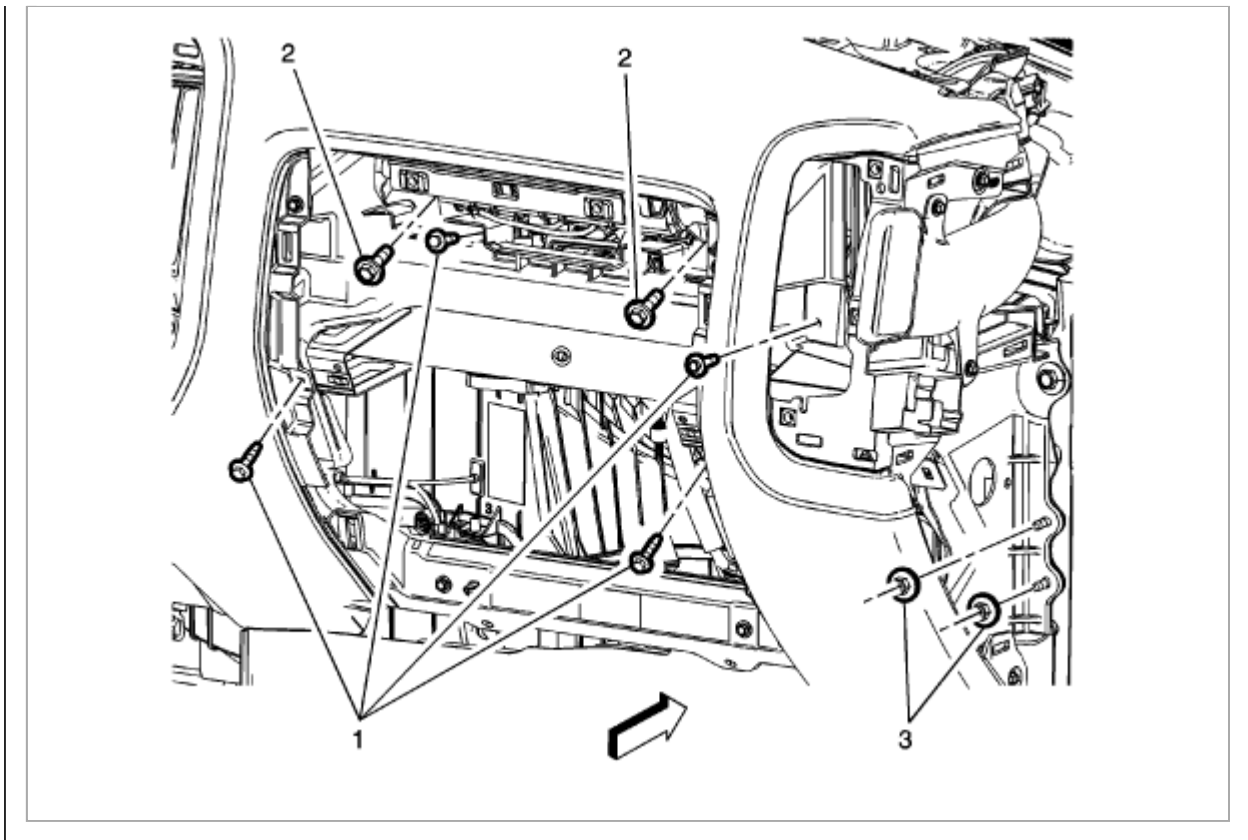




Install the instrument carrier fasteners (1) and tighten to 2.5 Nm (22 lb in).

10.



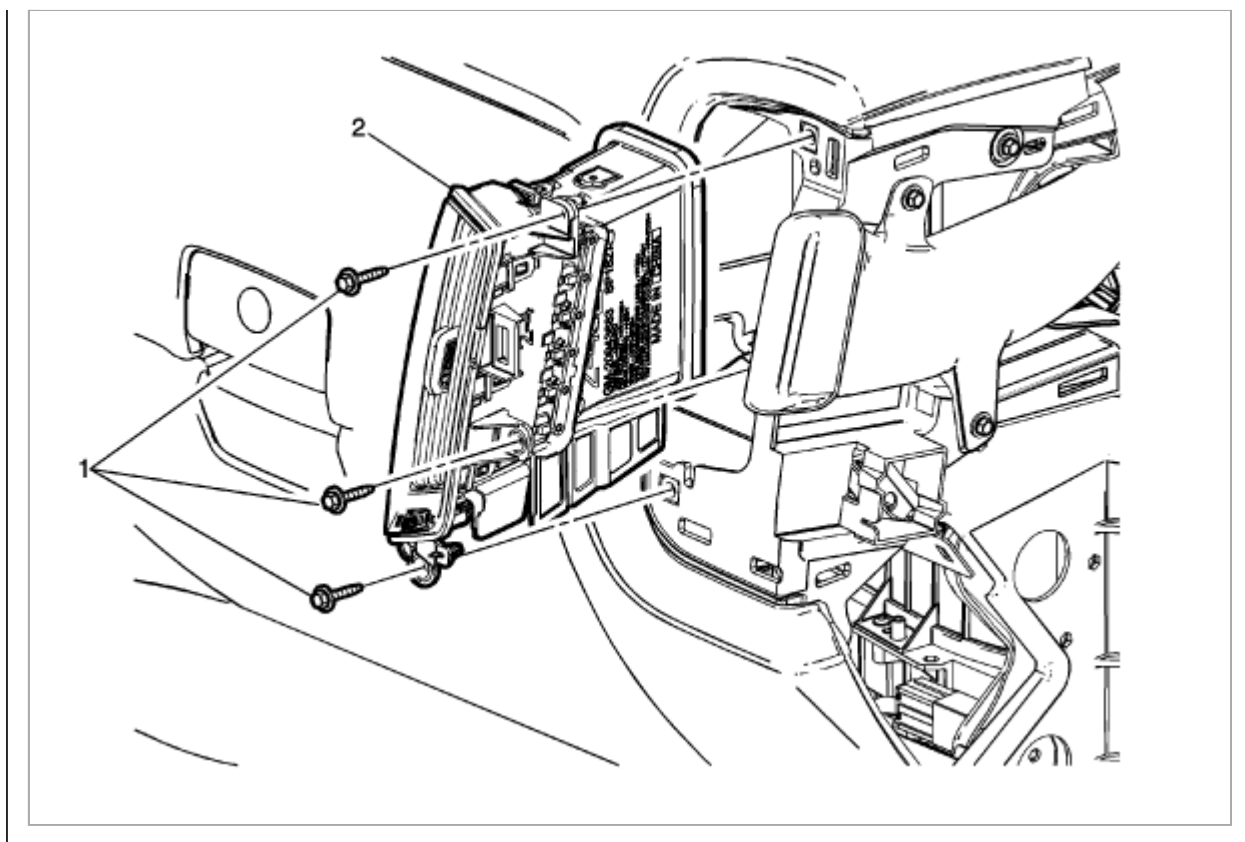


Install the instrument panel assembly fasteners (1) and tighten to 2.5 Nm (22 lb in).

11. Install the instrument panel inflatable restraint module fasteners (2) and tighten to 9 Nm (80 lb in).

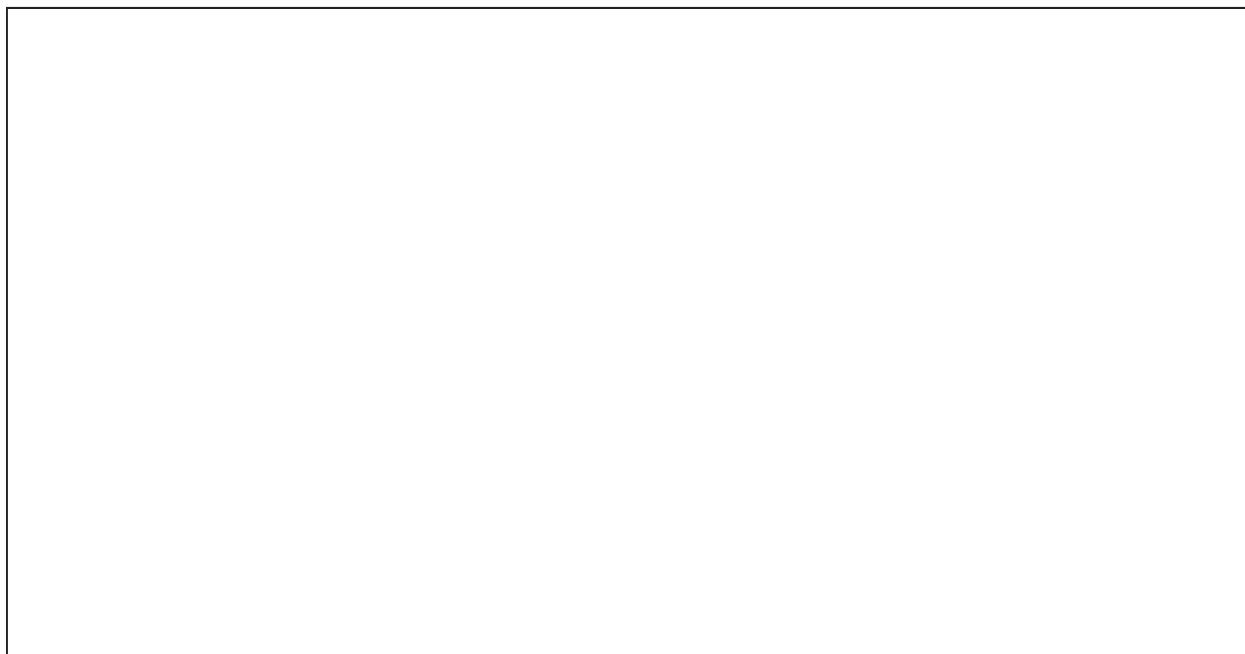
12. Install the instrument panel carrier fasteners (3) and tighten to 9 Nm(80 lb in).

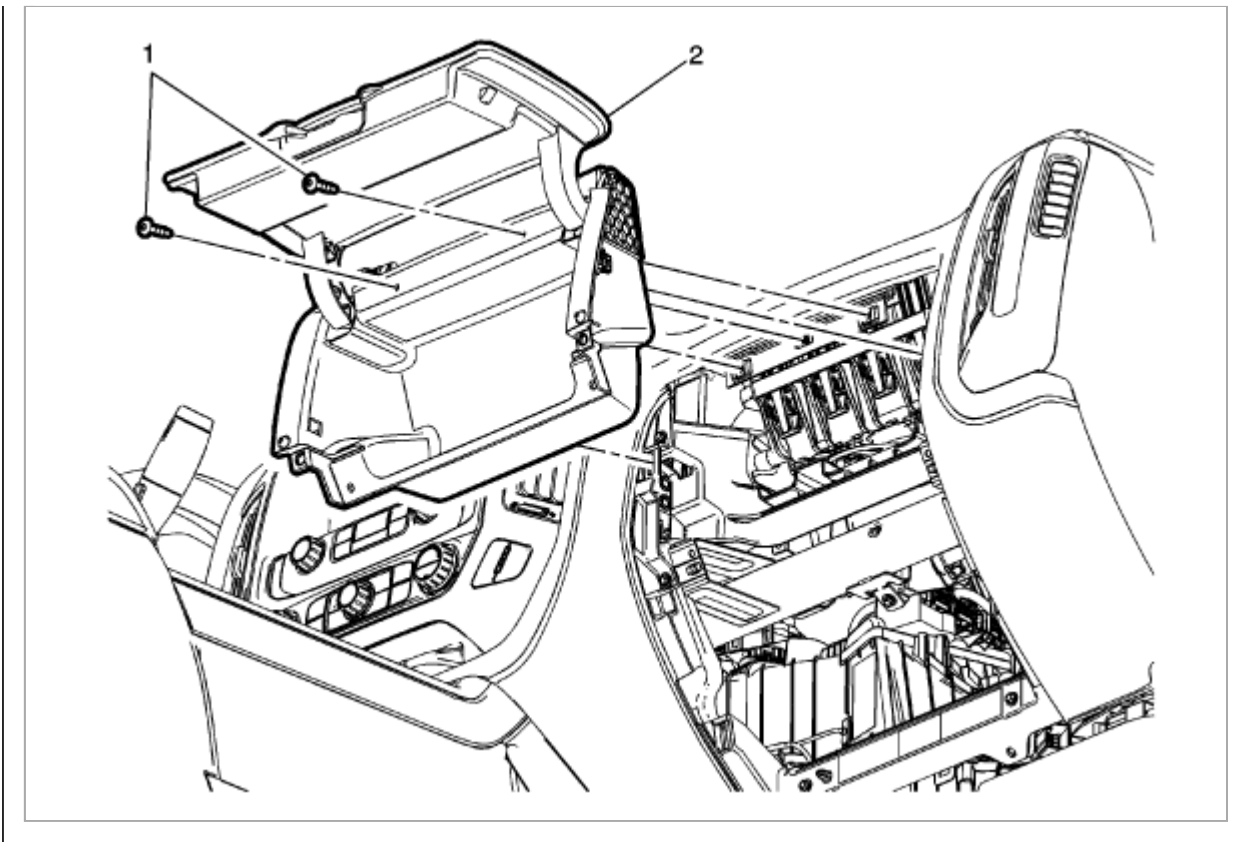
13.



Install the right instrument panel outer air outlet (2). Refer to See: [Heating and Air Conditioning/Air Register\Service and Repair\Instrument Panel Outer Air Outlet Replacement - Right Side Instrument Panel Outer Air Outlet Replacement - Right Side.](#)

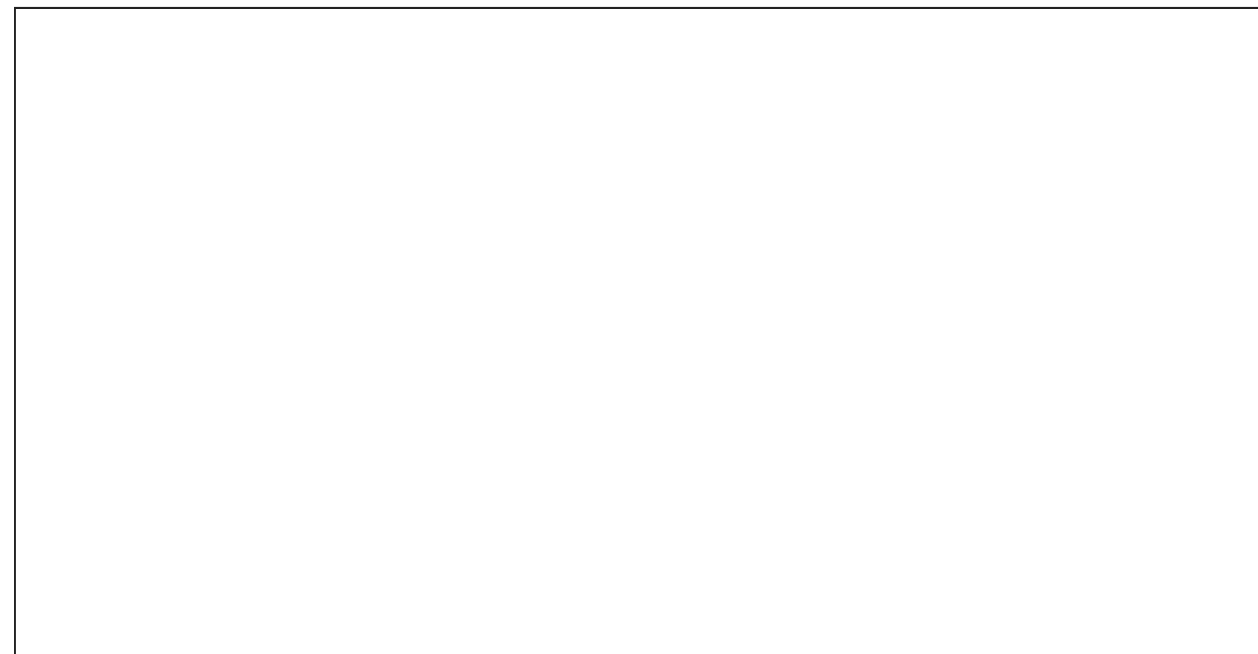
14.

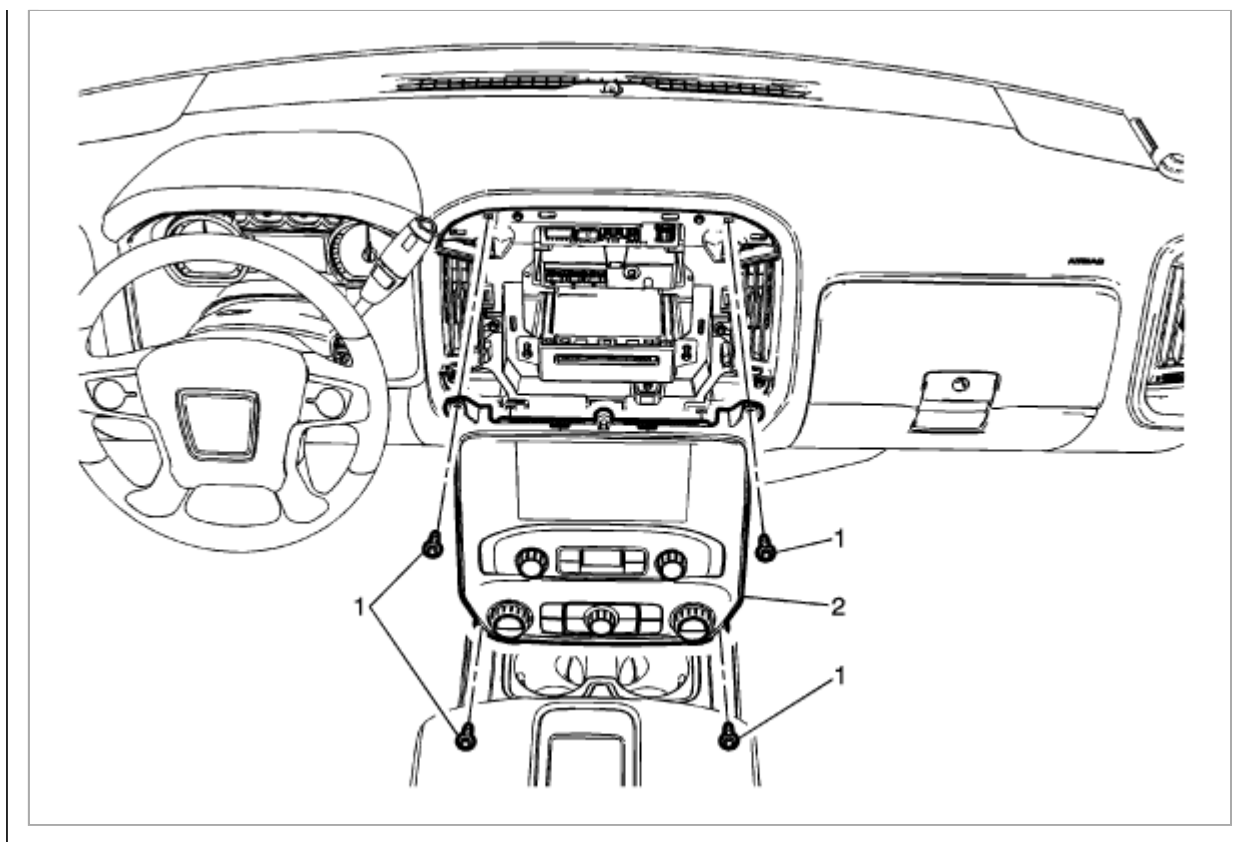




Install the instrument panel upper compartment (2). Refer to [See: Glove Compartment\Service and Repair\Instrument Panel Upper Compartment Replacement](#) Instrument Panel Upper Compartment Replacement.

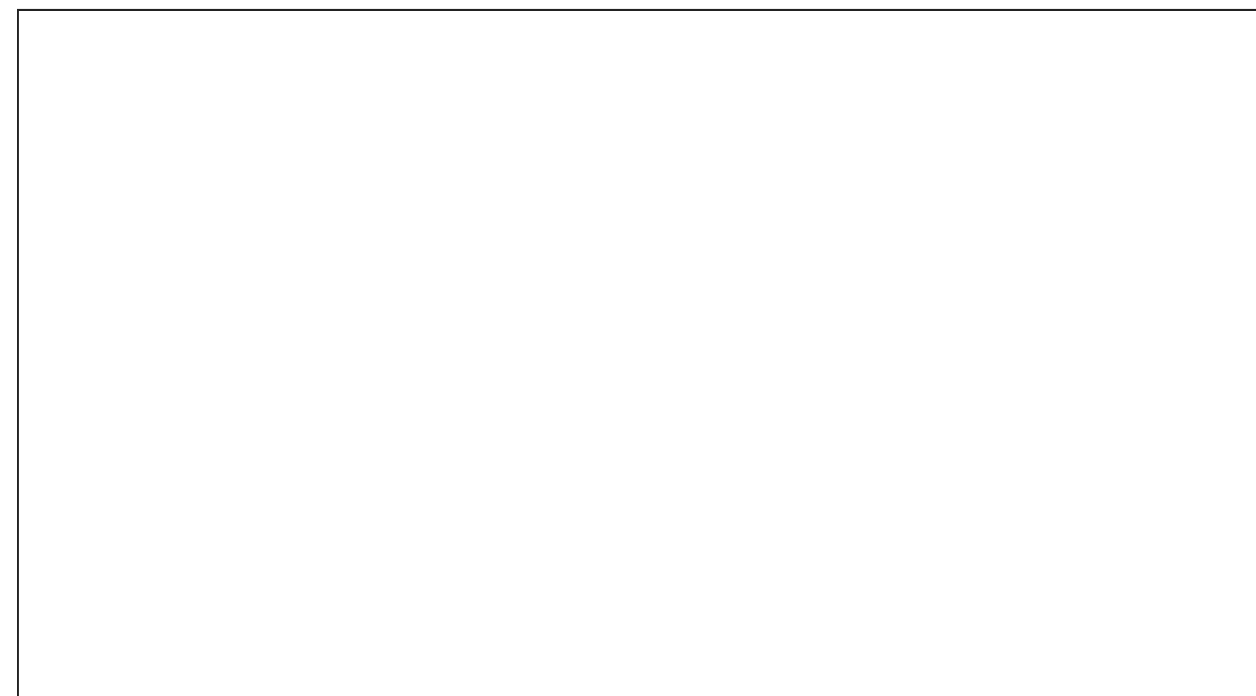
15.

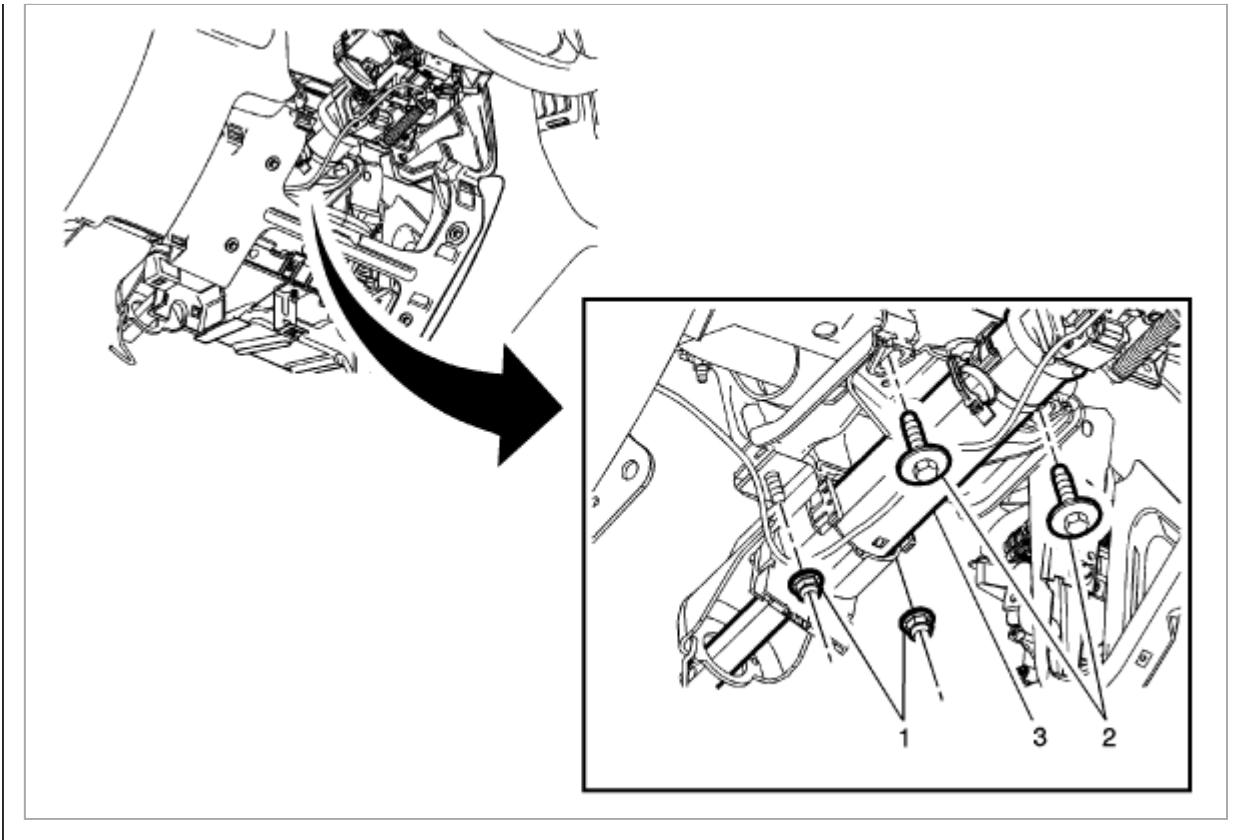




Install the radio control assembly (2). Refer to [See: Accessories and Optional Equipment\Radio/Stereo\Service and Repair\Radio Control Assembly Replacement](#) Radio Control Assembly Replacement.

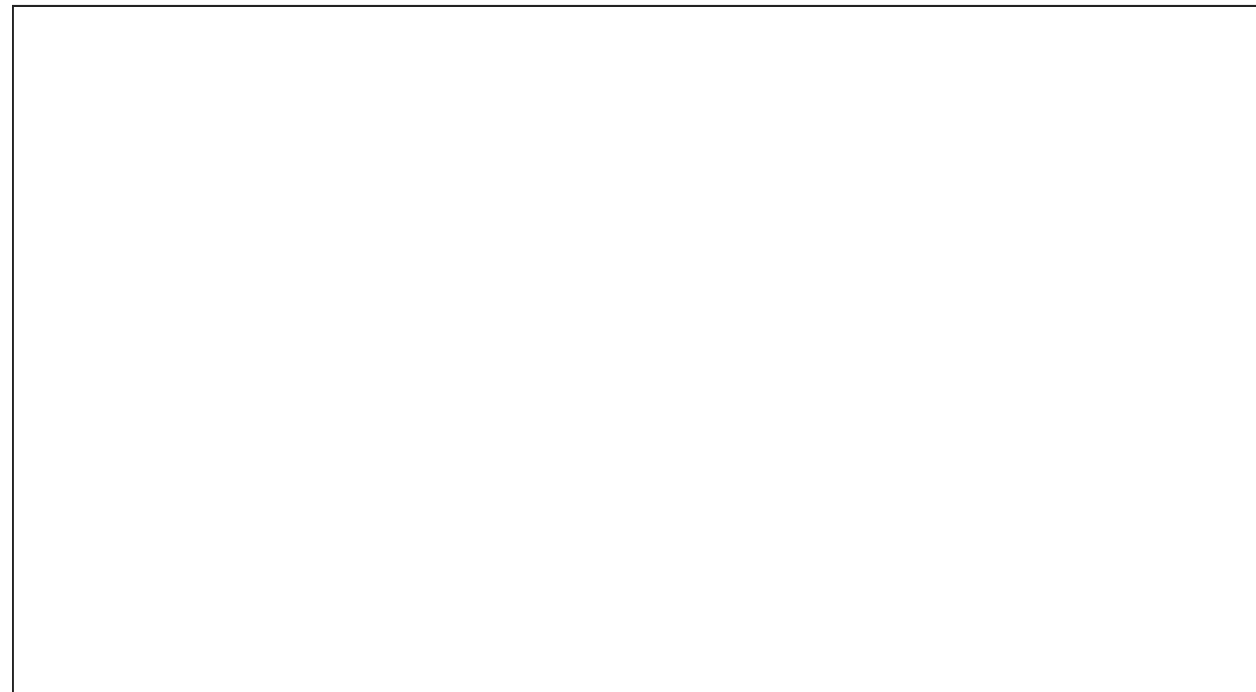
16.

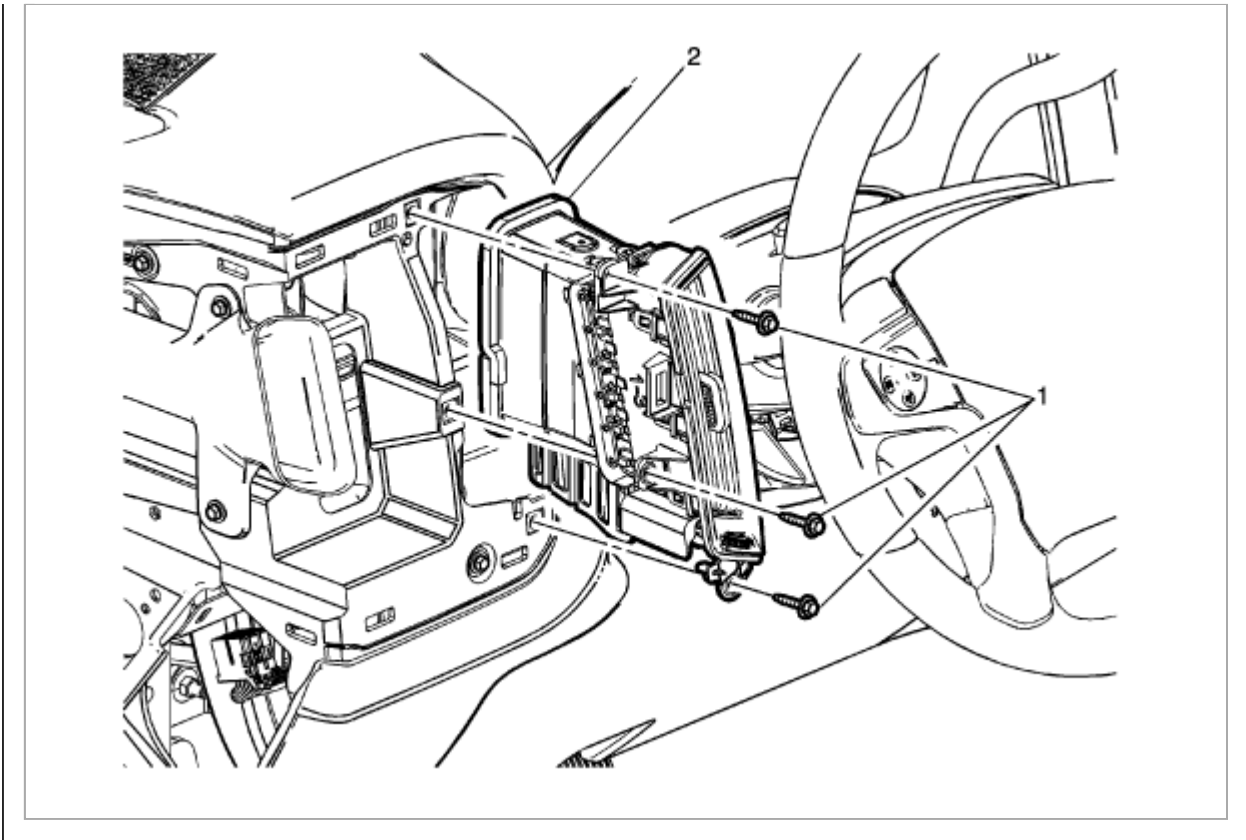




Install the steering column (3). Refer to See: [Steering and Suspension\Steering\Steering Column\Service and Repair\Removal and Replacement\Steering Column Replacement](#) Steering Column Replacement.

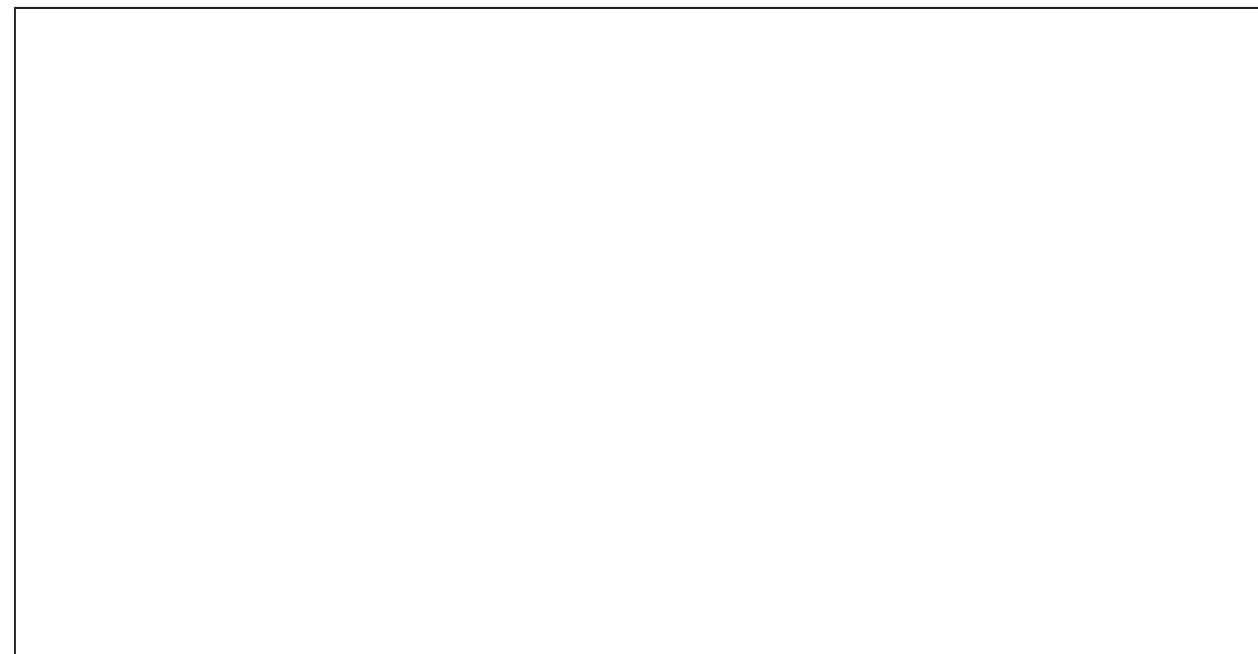
17.

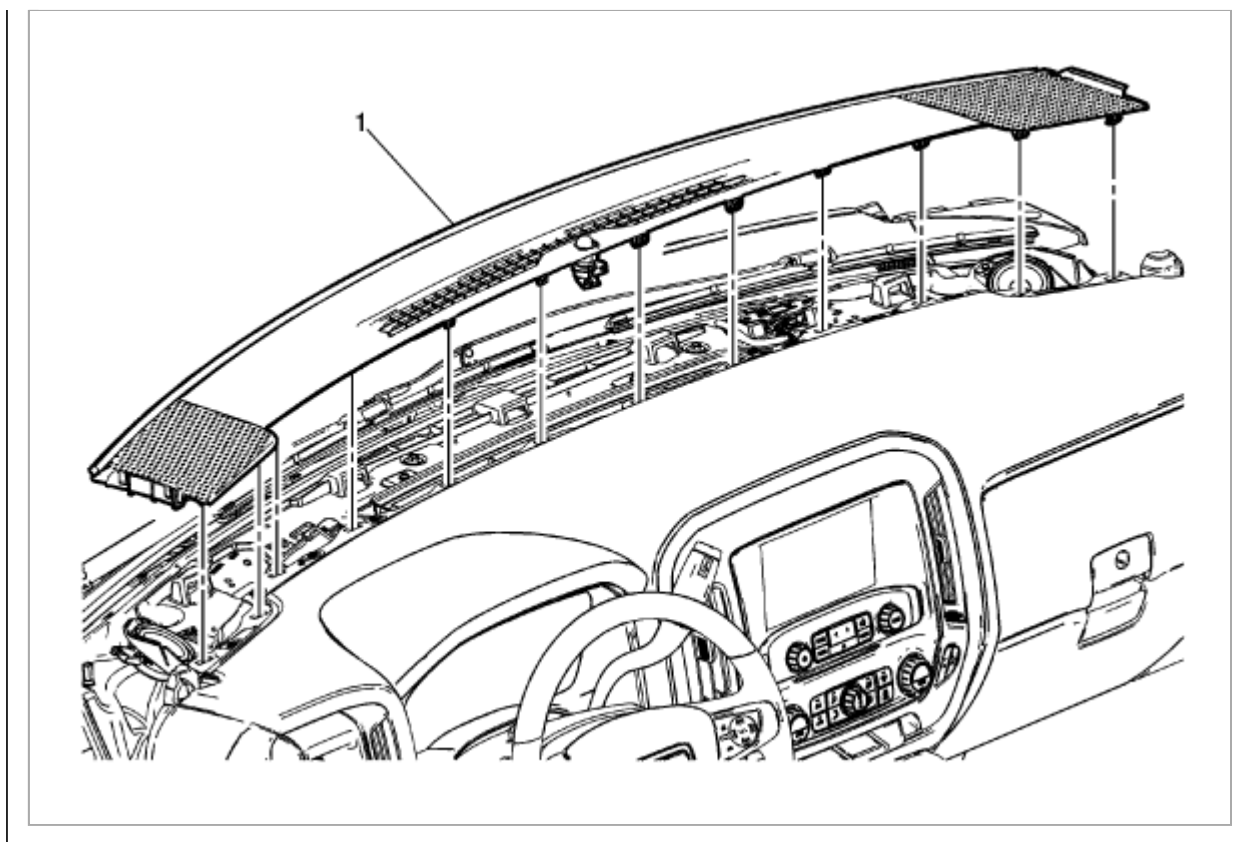




Install the left instrument panel outer air outlet (2). Refer to [See: Heating and Air Conditioning\Air Register\Service and Repair\Instrument Panel Outer Air Outlet Replacement - Left Side Instrument Panel Outer Air Outlet Replacement - Left Side](#).

18.

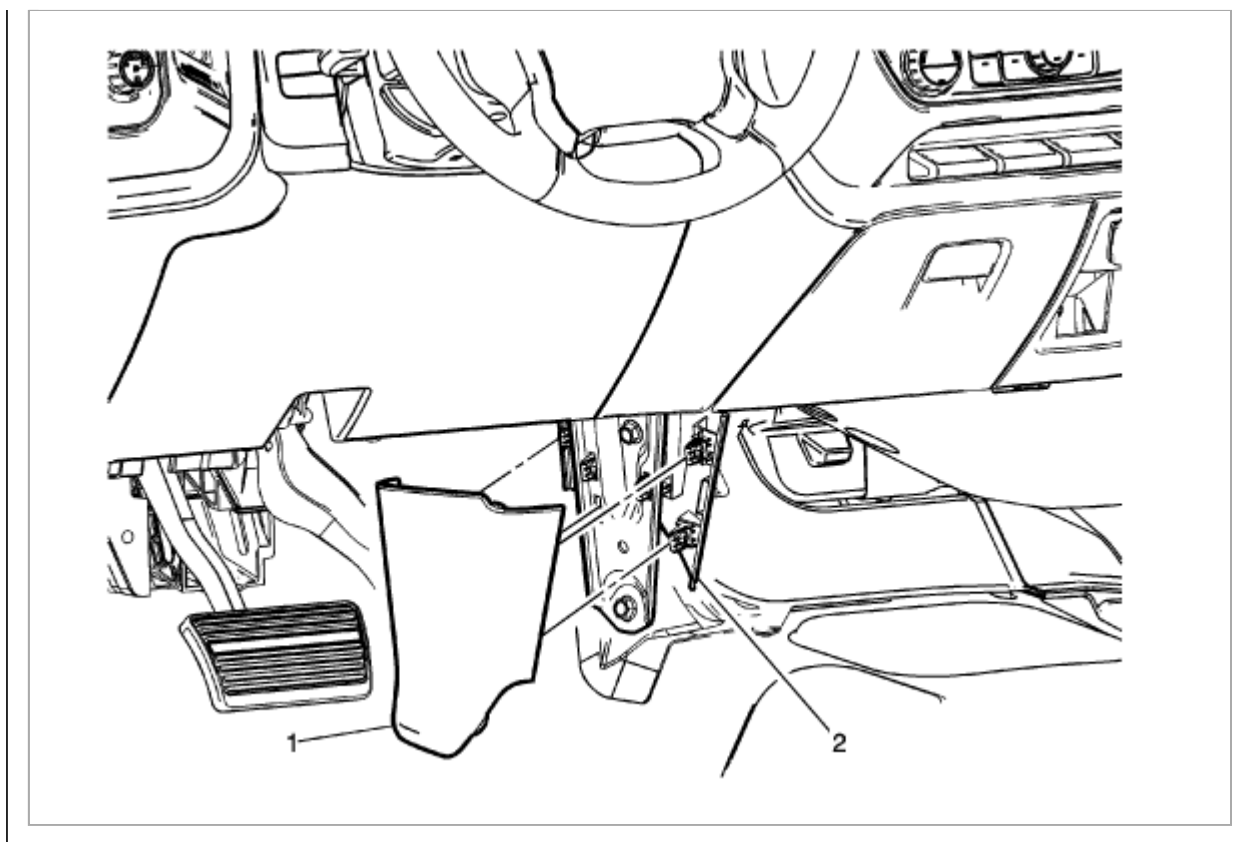




Install the instrument panel extension (1). Refer to [See: Instrument Panel Extension Replacement Instrument Panel Extension Replacement](#).

19.

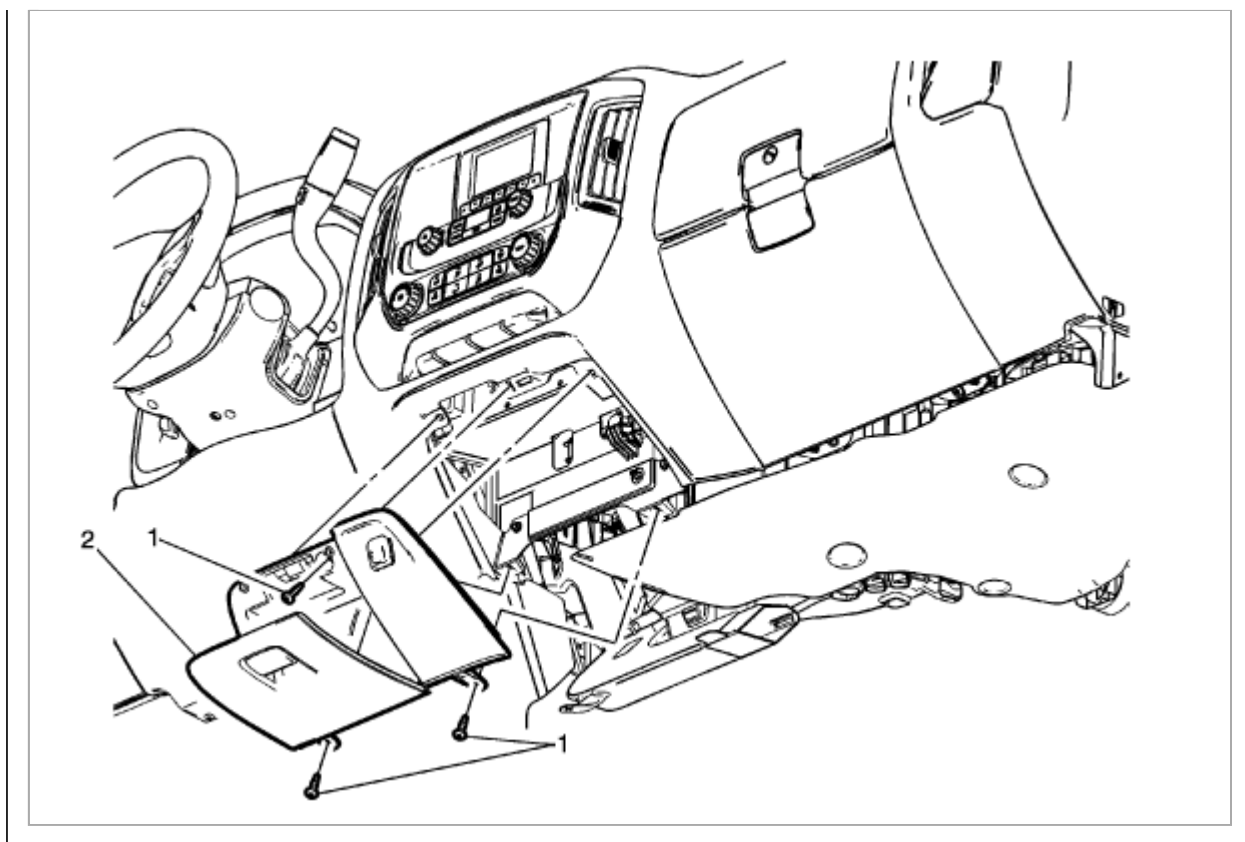




Install the instrument panel lower center trim panel (1) and (2), if equipped. Refer to [See: Instrument Panel Lower Center Trim Panel Replacement](#) Instrument Panel Lower Center Trim Panel Replacement.

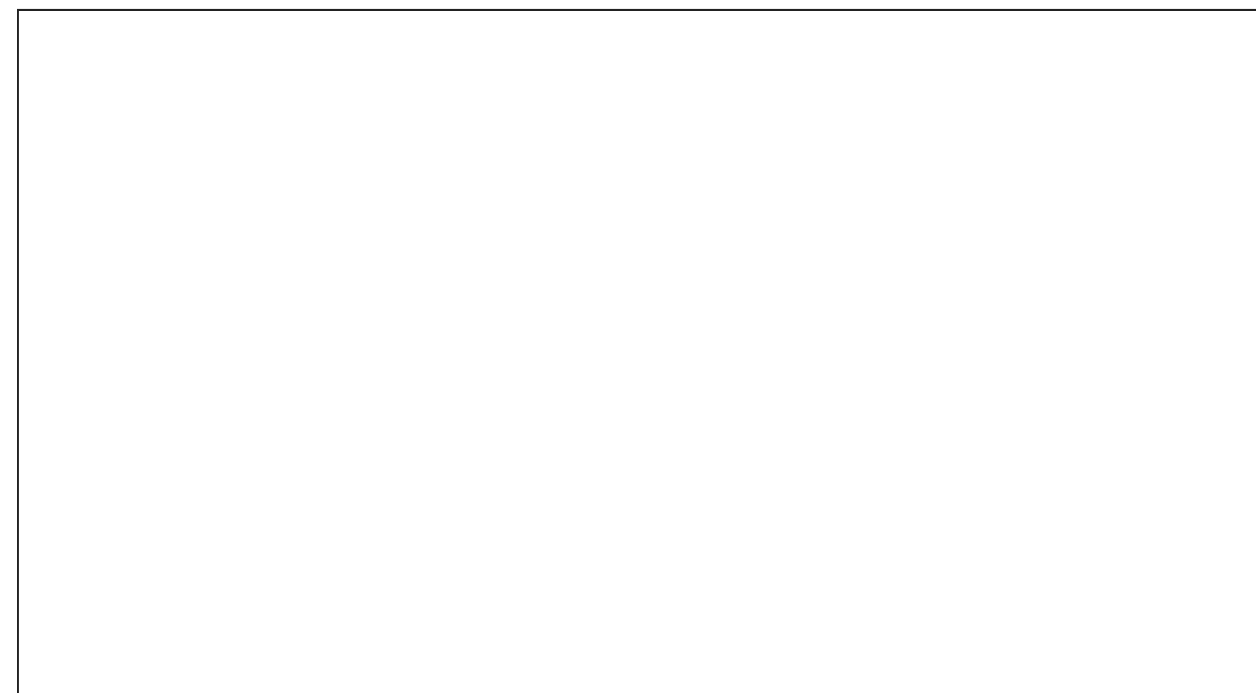
20.

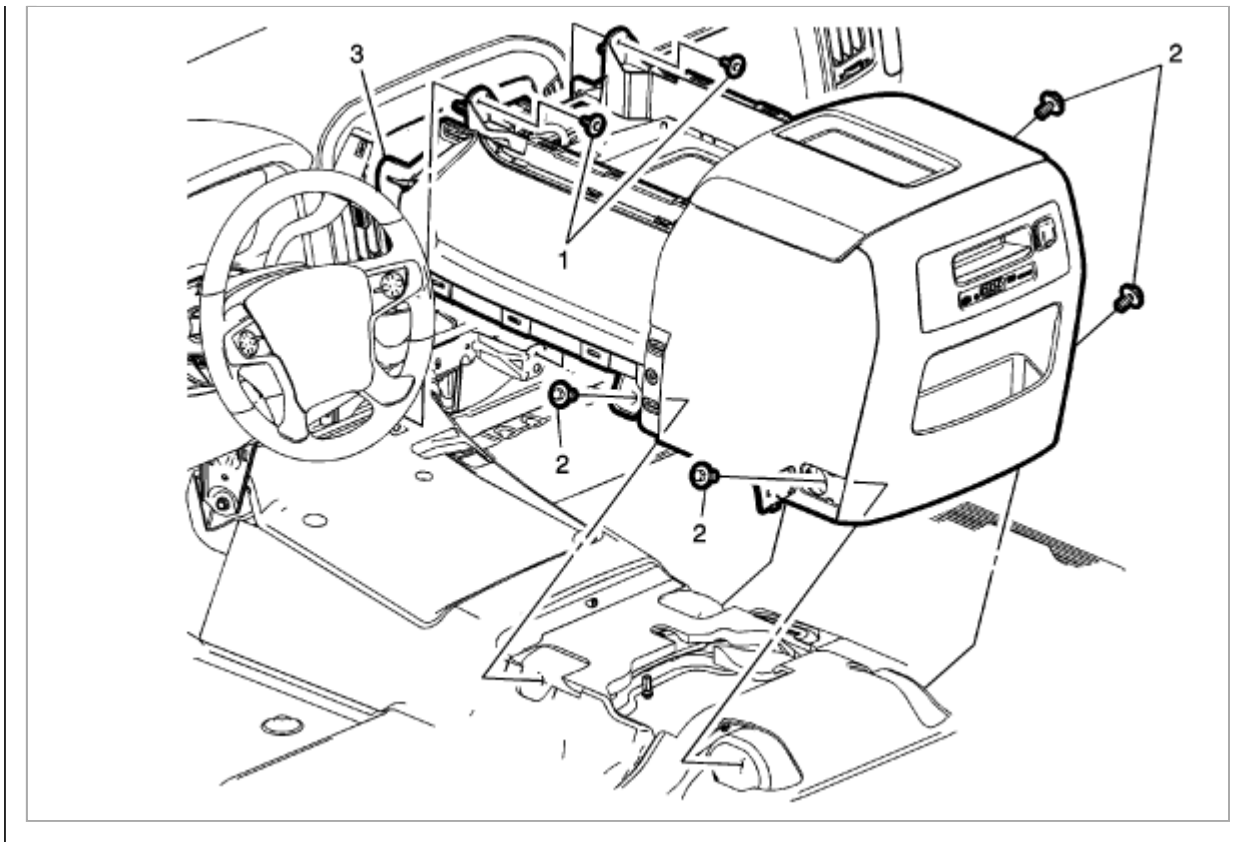




Install the instrument panel center compartment (2), if equipped. Refer to [See: Instrument Panel Center Compartment Replacement](#) Instrument Panel Center Compartment Replacement.

21.





Install the front floor console (3), if equipped. Refer to [See: Console\Service and Repair\Front Floor Console Assembly Replacement \(Without HP5\)](#) Front Floor Console Assembly Replacement (without HP5).

22. Enable the SIR system. Refer to [See: Air Bag\(s\) Arming and Disarming\Service and Repair SIR Disabling and Enabling](#).