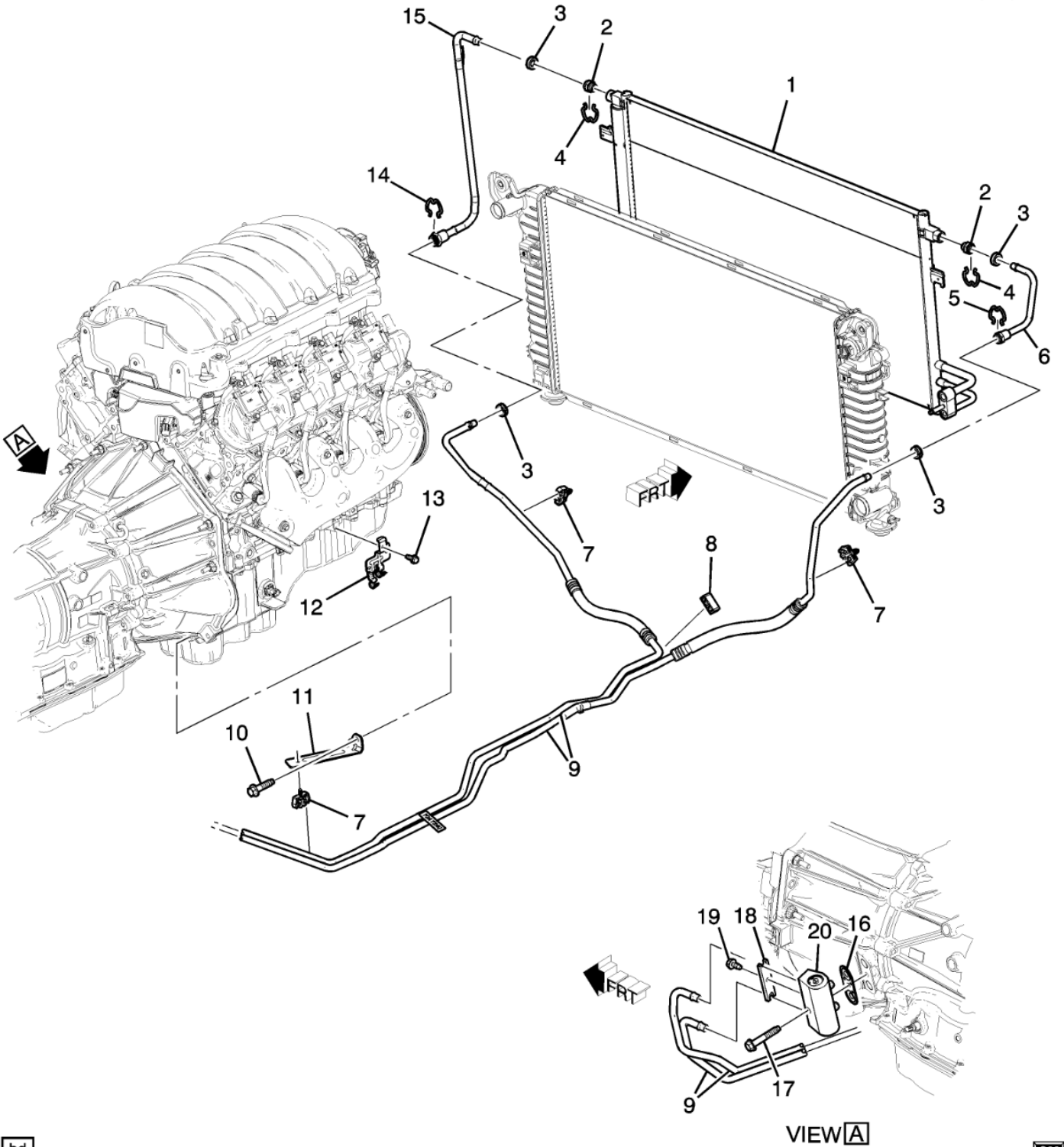


VIN: 3GCPREC0JG393783

L - Light Truck > 2018 > C - 5C1 - CC15543 - Silverado / Sierra / Cheyenne - 03, 43, 53 Bodystyle (2WD) > 04 - AUTOMATIC TRANSMISSION > (TK04-226) 2016-2018 CK1(03-43-53) AUTOMATIC TRANSMISSION OIL COOLER PIPES (L83/5.3C, AUTOMATIC MYC) >

TK04-226 06/26/2018



bd

VIEW A



Make: Light Truck

Year: 2018

Model: Silverado / Sierra / Cheyenne -  
03, 43, 53 Bodystyle (2WD)

VIN: 3GCPCREC0JG393783

L - Light Truck &gt; 2018 &gt; C - 5C1 - CC15543 - Silverado / Sierra / Cheyenne - 03, 43, 53 Bodystyle (2WD) &gt; 04 - AUTOMATIC TRANSMISSION &gt; (TK04-226) 2016-2018 CK1(03-43-53) AUTOMATIC TRANSMISSION OIL COOLER PIPES (L83/5.3C, AUTOMATIC MYC) &gt;

Call	Part #	Group	H	Description	Usage	Year	Qty
1	84496335	09.190		CONDENSER, A/C (INCLS 2,4) (GMCH) (WITH A/C CONDSR SHIELD) (ACDelco #84496335) (Service Lane Part)	CK1 (03-43-53) (L83,L86)	2017 - 2019	01
2	19210848	04.128		CONNECTOR, TRANS FLUID CLR PIPE (INCLS 4) (PART OF 1) (W/O BEVEL WASHER) (ALUMINUM) (ACDelco #19210848) (Service Lane Part)	CK1 (L83,L86)	2018 - 2019	02
3	15052228	04.128		CAP, TRANS FLUID CLR PIPE CONN (PART OF 6,9) (APPROX. .18MM DIA) (PLASTIC RETAINER) (ACDelco #15052228) (Service Lane Part)	CK1 (MYC,M5U)	2015 - 2018	AR
4	24205103	04.128		RETAINER, TRANS FLUID CLR PIPE CONN (PART OF 1,2) (OD 17.4MM) (EXPANDING SPRING WIRE) (ACDelco #24205103) (Service Lane Part)	CK1 (MYC,M5U)	2015 - 2019	02
4	24205103	04.128		RETAINER, TRANS FLUID CLR PIPE CONN (PART OF 1,2) (OD 17.4MM) (EXPANDING SPRING WIRE) (ACDelco #24205103) (Service Lane Part)	CK1 (MYC,M5U)	2017 - 2019	02
4	24205103	04.128		RETAINER, TRANS FLUID CLR PIPE CONN (PART OF 1,2) (OD 17.4MM) (EXPANDING SPRING WIRE) (ACDelco #24205103) (Service Lane Part)	CK1 (L83,L86)	2015 - 2019	02

Call	Part #	Group	H	Description	Usage	Year	Qty
5	24205103	04.128		RETAINER, TRANS FLUID CLR PIPE FTG (PART OF 6) (OD 17.4MM) (EXPANDING SPRING WIRE) (ACDelco #24205103) (Service Lane Part)	CK1 (MYC)	2015 - 2019	AR
6	84183292	04.128		PIPE, TRANS FLUID AUX CLR OTLT (INCLS 3,5) (@RAD) (W/RETAINER) (ACDelco #84183292) (Service Lane Part)	CK1 (03-43-53) (L83,L86,MYC)	2015 - 2018	01
7	15049288	04.128		CLIP, TRANS FLUID CLR PIPE (PART OF 9) (BLACK) (37.7X39.3) (DOUBLE SNAIL CLIP) (ACDelco #15049288) (Service Lane Part)	CK1 (03-43-53) (MYC)	2015 - 2019	AR
8	95929524	04.128		CLIP, TRANS FLUID CLR PIPE (PART OF 9) (Service Lane Part)	CK1 (03-43-53) (MYC,KNP)	2015 - 2019	02
9	84036742	04.128		PIPE, TRANS FLUID CLR INL & OTLT (INCLS 3,7,8,16,18-20) (ACDelco #84036742) (Service Lane Part)	CK1 (03-43-53) (MYC,KNP)	2017 - 2019	01
11	23141323	04.128		BRACKET, TRANS FLUID CLR PIPE (Service Lane Part)	CK1 (MYC)	2015 - 2019	01
12	23104868	04.128		CLIP, TRANS FLUID CLR PIPE (RETAINS 9.5MM STL TUBING) (Service Lane Part)	CK1,2,3 (LC8,LV3,L8B,L83,L86 ,L96)	2016 - 2018	01
13	11588712	08.900		BOLT, HFH,M6X1X20,17.5 THD,14.2 O.D.,8.8, GMW3359 (TRANS FLUID CLR PIPE CLIP) (Service Lane Part)		2014 - 2019	01
14		NS		RETAINER, TRANS FLUID CLR PIPE CONN (PART OF 15)		2016 - 2018	

Call	Part #	Group	H	Description	Usage	Year	Qty
15	23352718	04.128		PIPE, TRANS FLUID AUX CLR INL (INCLS 14) (STRAIGHT PIPE ATTACHED TO RADIATOR SIDE TANK) (ACDelco #23352718) (W/O TRANS COOLER CONNECTORS ON LH SIDE OF RAD) (Service Lane Part)	CK1 (03-43-53) (L83,L86,MYC,M5U)	2017 - 2019	01
16	23135703	04.128		SEAL, TRANS FLUID CLR PIPE FTG (PART OF 9) (AT PIPE) (ACDelco #23135703) (Service Lane Part)	CK1 (03-43-53) (MYC,KNP)	2015 - 2019	01
18		NS		PLATE, TRANS FLUID CLR PIPE RET MT (PART OF 9)		2016 - 2018	
19	11588711	08.900		BOLT, HFH,M6X1X16, 10 THD, 14.2 OD, 8.8 STL, GMW3359 (PART OF 9) (Service Lane Part)		2014 - 2019	01
20	13511136	04.128		VALVE, TRANS FLUID CLR THERMAL BYPASS (PART OF 9) (IF VEH HAS QUICK CONNECTS MUST ORDER PIPE ASSEMBLY PER VIN) (Service Lane Part)	CK1 (03-43-53) (MYC,KNP)	2015 - 2018	01